

Glastender®

A family company manufacturing in the USA

www.glastender.com



C1SB24 with compressor left, stainless steel door, and stainless top



Intertek

EP 5016978

Energy Performance
Verified / Rendement
Énergétique Vérifié



Intertek

4004503

Conforms to NSF/ANSI STD 7
and UL STD 471
Certified to CSA STD C22.2 No. 120
Listed to NSF Standard 7
for open food as a storage refrigerator



Intertek

Standard Features

- Self-contained
- Stainless steel interior
- Locking door(s)
- LED interior lighting
- Heated mullion to minimize condensation

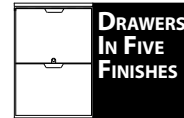
Project: _____	AIA# _____
Item #: _____ Qty: _____	SIS# _____
Model #: _____	

Coolers, One Zone, Side Serviced, Bar Profile

C1SB

C1SB20, C1SB24, C1SB28, C1SB36,
C1SB44, C1SB48

CONFIGURATION HIGHLIGHTS



Configurable Options

Temperature:

- Beer/Food - 34°F to 40°F
- White wine - 50°F to 55°F
- Red wine - 60°F to 65°F

Refrigeration Compartment

Location:

- Left or Right

Refrigeration Compartment

Cover Finish:

- Black vinyl-clad
- Stainless steel
- Jeweled stainless

Door Style & Finish (specify per door section):

- Black vinyl-clad
- Stainless steel
- Jeweled stainless
- Laminated
- Unlaminated
- Glass, black vinyl-clad
- Glass, stainless steel
- Glass, jeweled stainless
- Glass, laminated

Drawer Style & Finish:

- Black vinyl-clad
- Stainless steel
- Jeweled stainless
- Laminated
- Unlaminated

Door Hinge Location (specify for each door):

- Left or Right

Door Handle: (drawers come with a stainless pull tab handle)

- Signature (drawers excluded)
- Pull-tab
- Tube

Shelving (specify per door section):

- Three adjustable, coated-wire shelves
- Keg Rack
- Pull-out wine shelves (C1SB20 and C1SB36 excluded):
 - » one upright and three horizontal storage combination
 - » two upright storage
 - » five horizontal storage or six if not next to compressor compartment)

Top Style:

- No finished top
- Stainless top

Left and Right Side Finish:

- Black vinyl-clad
- Stainless steel

Back Finish:

- Galvanized steel
- Stainless steel

LED Lighting Style:

- Bright white (7,000k)
- Warm white (3,500k)
- Amber (2,700k)
- Blue

See page 4 for direct draw draft beverage towers and accessories

Glastender, Inc. • 5400 N Michigan Rd • Saginaw, MI • 48604-9780
989.752.4275 • 800.748.0423 • Fax 989.752.4444
www.glastender.com

Approval/Notes:

Specifications subject to change without notice. For current specifications please visit our website.

Coolers - One Zone, Side Serviced, Bar Profile

Specifications

		C1SB20	C1SB24	C1SB28	C1SB36	C1SB44	C1SB48
Dimensions	Length	20"	24"	28"	36"	44"	48"
	Number of Sections	1	1	1	2	2	2
	Door Opening	12"	17.5"	20"	12"	16"	18"
Electrical	Electrical Supply	120V, 1 phase, 60 Hz, dedicated 15A circuit required					
	Full Load Amps	2.75					
	Plug Type	8 foot NEMA 5-15P grounded cord and plug which exits the back of refrigeration compartment*					
Refrigeration	Refrigerant	R290 - 105 grams, 3.7 oz., 0.23 pounds					
	Compressor	Reciprocating, 1/8HP, 1,000 BTUH, 0.08 Tons					
	Heat Rejection	1126 BTU/hr					
Operating Range		34°F (1°C) to 65°F (18°C)					
Plumbing		Automatic condensate evaporator. No drain connection required †					
Weight Bearing Capacity		Countertops and other accessories should not exceed 500 pounds per door					

Materials

- Stainless steel parts include: exterior sub-top, interior, front of cabinet, hinges, hinge and lock brackets, and optional legs
- Black vinyl-clad steel parts include: standard sides, doors and compressor cover
- Galvanized steel parts include: back and bottom
- Zinc plated CR steel parts include: leg sockets



† Building conditions outside the guidelines of ASHRAE 55 and ASHRE 62.1 may need to be plumbed to a drain.

Capacities

		C1SB20	C1SB24	C1SB28	C1SB36	C1SB44	C1SB48
	12 oz. bottles, cases	3.3	5.8	6.6	8.9	12	13.2
	750ml wine bottles	52	74	87	111	150	177
	1/2 barrel kegs	N/A	1	1	N/A	N/A	2
	1/6 barrel kegs	2	3	4	5	7	8
Capacity values below are per door/drawer section (750ml wine bottles)							
Next to compressor	Drawers	33	54	65	33	43	54
	Upright pull-out	N/A	52	65	N/A	46	56
	Horizontal pull-out	N/A	30	40	N/A	30	35
	Combination pull-out	N/A	40	50	N/A	36	43
Not next to compressor	Drawers	N/A	N/A	N/A	42	56	70
	Upright pull-out	N/A	N/A	N/A	N/A	56	68
	Horizontal pull-out	N/A	N/A	N/A	N/A	36	42
	Combination pull-out	N/A	N/A	N/A	N/A	46	55



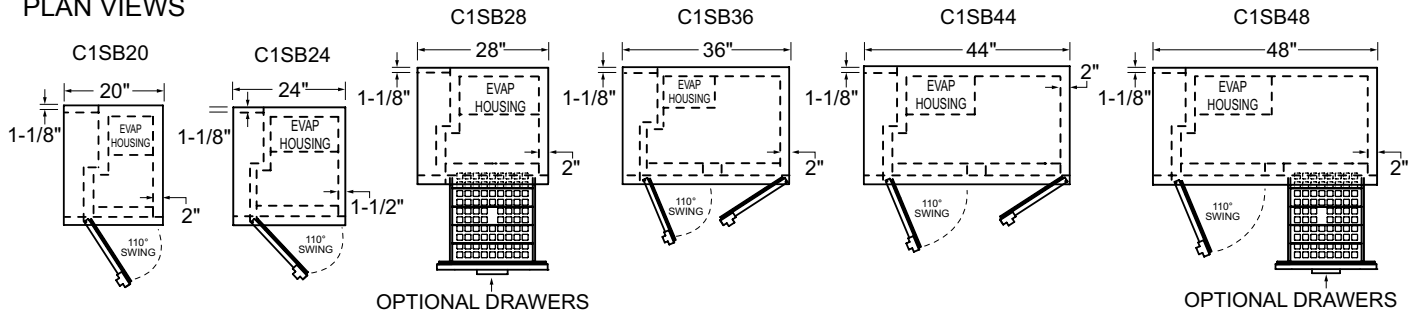
5400 N Michigan Rd • Saginaw, MI • 48604-9780
 989.752.4275 • 800.748.0423 • Fax 989.752.4444
 www.glastender.com

Printed in USA

Coolers - One Zone, Side Serviced, Bar Profile

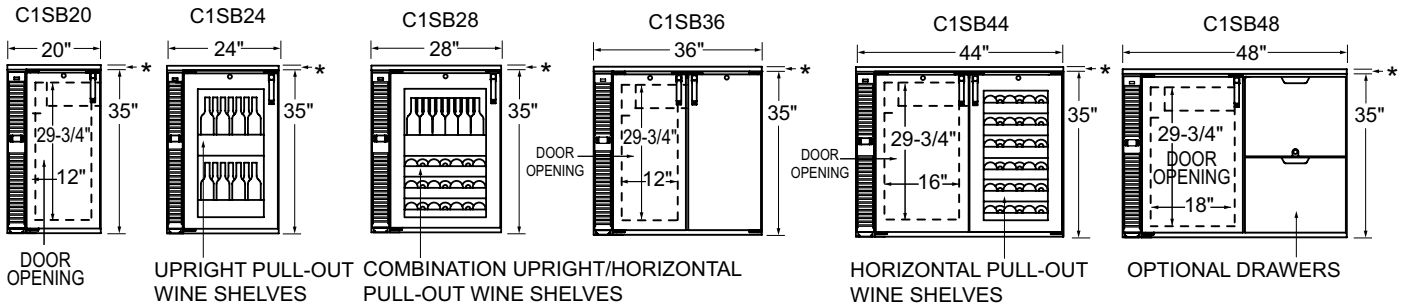
Drawings

PLAN VIEWS



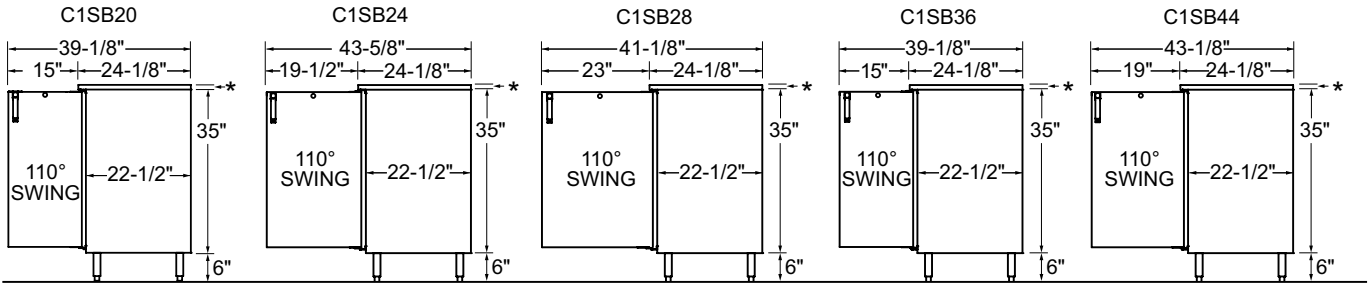
FRONT VIEWS

* ADD 1" HEIGHT TO TOP FOR FACTORY INSTALLED TOP

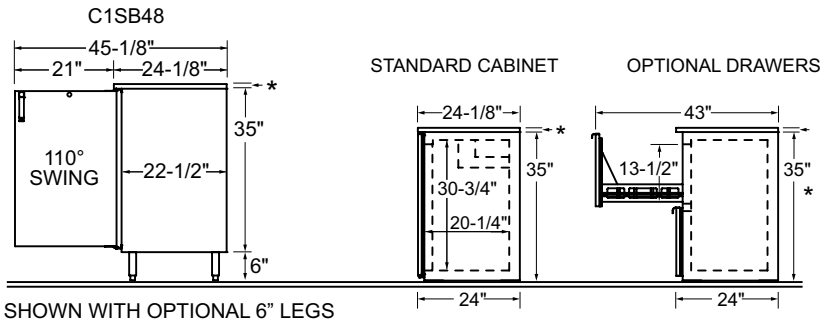


SIDE VIEWS

* ADD 1" HEIGHT TO TOP FOR FACTORY INSTALLED TOP

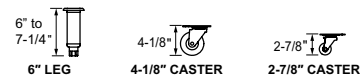


SHOWN WITH OPTIONAL 6" LEGS



SHOWN WITH OPTIONAL 6" LEGS

OPTIONAL LEGS AND CASTERS





Configuring Bar Profile Coolers for Draft Beverage Dispensing

All Glastender bar profile coolers can be configured for draft beverage dispensing. Please note that a minimum 17" wide door opening is required for full size (i.e., 16" diameter) 1/2 barrel kegs. Refer to the capacity statements in the Product Directory or Specification Sheet for the sizes and quantities of kegs each unit will hold.

Direct Draw Draft Beverage Towers

Glastender Beverage Towers include the stainless steel faucets and shanks necessary to dispense keg beer, wine, soda, coffee, or cocktails. See individual price pages for complete information.

Tee Tower shown
See individual tower
spec sheets for
complete information

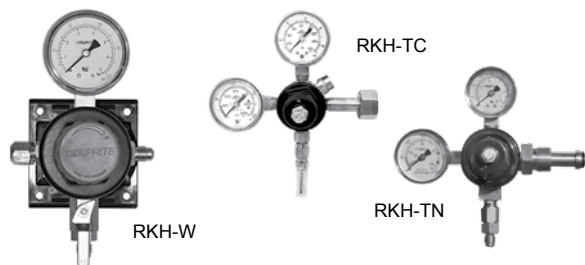
Look for the Draft Beer
Compatible logo



HIGH PRESSURE REGULATOR KITS

High pressure regulators reduce the gas pressure from the primary source. A tank mount regulator attaches directly to a gas cylinder, while a wall mount regulator splices into gas tubing when the gas supply is used for more than one system. RKH-TN regulator kits are used if pre-blended CO₂ and nitrogen or pure nitrogen cylinders are being used. All high pressure regulator kits include 50 feet of braided nylon gas tubing.

MODEL	DESCRIPTION	WGT
RKH-W	Wall mount, CO ₂ or Nitrogen, single gauge	15#
RKH-TC	Tank mount, CO ₂ , double gauge	15#
RKH-TN	Tank mount, Nitrogen, double gauge	15#



ADDITIONAL ACCESSORIES

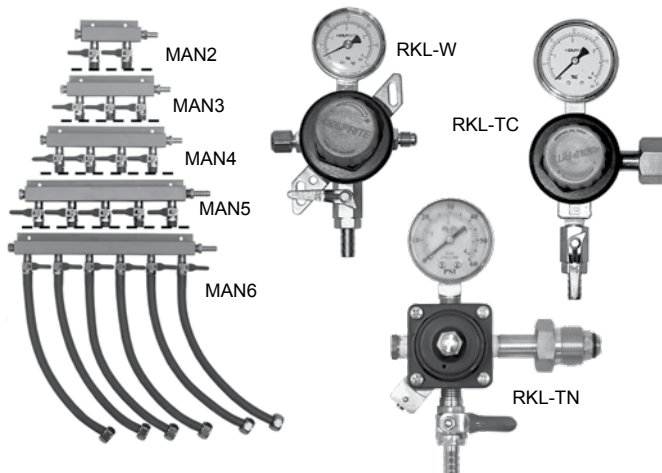
MODEL	DESCRIPTION	WGT
03004240	1/2" ID black drain line, per foot	N/A
05000400	5/16" ID red vinyl air line, per foot	N/A
05000386	1/4" ID nylon braided gas tubing, per foot	N/A
05001066	D system keg coupler w/ss probe	2#
05001026	D system keg coupler, low profile	2#
05003763	S system keg coupler w/ss probe, for select imports	2#
05002019	U System Keg Coupler, stainless probe, for Guinness & Harp	2#
05000368	Lock for beer faucet	2#
05000636	5# CO ₂ tank (unfilled)	15#
LCK	Line cleaning kit	3#
06007084	Drain bottle	2#



LOW PRESSURE REGULATOR KITS

Low pressure regulator kits connect to the gas tubing exiting a high pressure regulator. If a 5 pound gas cylinder will be kept inside the cooler, a single gauge tank mounted RKL-TC or -TN will be required depending on the gas being used. All low pressure regulator kits include 6 feet of red gas tubing. For installations requiring more than one keg on tap, also order the appropriate size manifold kit. All manifold kits include 6 feet of red gas tubing per product, and the clamps required for connecting to keg couplers (sold separately).

MODEL	DESCRIPTION	WGT
RKL-W	Wall mount, CO ₂ or Nitrogen, single gauge	7#
RKL-TC	Tank mount, CO ₂ , single gauge	7#
RKL-TN	Tank mount, Nitrogen, single gauge	7#
MAN2	Two product manifold kit	2#
MAN3	Three product manifold kit	3#
MAN4	Four product manifold kit	4#
MAN5	Five product manifold kit	5#
MAN6	Six product manifold kit	6#



Tower Cooling Kits

Direct draw beverage towers are chilled by air from inside the host cooler. This is especially important for draft beer, as warm faucets cause the beer to foam.

TOWER COOLING KITS

MODEL	DESCRIPTION	WGT
TCK12-1	For 1 & 2-door coolers w/ one tower column	3#
TCK12-2	For 1 & 2-door coolers w/ two tower columns	6#
TCK34-1	For 3 & 4-door coolers w/ one tower column	8#
TCK34-2	For 3 & 4-door coolers w/ two tower columns	11#
TCKR-1	For remote coolers w/ one tower column	3#
TCKR-2	For remote coolers w/ two tower columns	6#