



C2FB60
 with compressor left,
 stainless steel doors,
 and top



Intertek
 EP 5016978

Energy Performance Verified
 / Rendement Énergétique
 Vérifié



Intertek Intertek
 4004503

Conforms to NSF/ANSI STD 7 & UL STD 471
 Certified to CSA STD C22.2 No. 120
 Listed to NSF Standard 7
 for closed container products

Standard Features

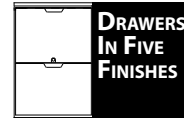
- Self-contained
- Stainless steel interior
- Locking door(s)
- LED interior lighting
- Heated mullion to minimize condensation
- Evaporator above compressor compartment to maximize storage capacity

Project: _____	AIA# _____
Item #: _____ Qty: _____	SIS# _____
Model #: _____	

Coolers, Two Zone, Front Serviced, Bar Profile

C2FB	C2FB52, C2FB60, C2FB72, C2FB84, C2FB92, C2FB108
-------------	--

CONFIGURATION HIGHLIGHTS



Configurable Options

Temperature:

- Beer/White wine - 34°F to 40°F / 50°F to 55°F
- Beer/Red wine - 34°F to 40°F / 60°F to 65°F
- White/Red wine - 50°F to 55°F / 60°F to 65°F

Refrigeration Compartment

Location:

- Left or Right

Refrigeration Compartment

Cover Finish:

- Black vinyl-clad
- Stainless steel
- Jeweled stainless
- Laminated
- Unlaminated

Door Style & Finish (specify per door section):

- Black vinyl-clad
- Stainless steel
- Jeweled stainless
- Laminated
- Unlaminated
- Glass, black vinyl-clad
- Glass, stainless steel
- Glass, jeweled stainless
- Glass, laminated

Drawer Style & Finish:

- Black vinyl-clad
- Stainless steel
- Jeweled stainless
- Laminated
- Unlaminated

Door Hinge Location (specify for each door):

- Left or Right

Door Handle:

- Signature (drawers excluded)
- Pull-tab
- Tube

Shelving (specify per door section):

- Three adjustable, coated-wire shelves
- Keg rack
- Pull-out wine shelves:
 - » one upright and three horizontal storage combination
 - » two upright storage
 - » six horizontal storage (not available for the door next to the compressor compartment.)

Top Style:

- No finished top
- Stainless top

Left and Right Side Finish:

- Black vinyl-clad
- Stainless steel

Back Finish:

- Galvanized steel
- Stainless steel

LED Lighting Style:

- Bright white (7,000k)
- Warm white (3,500k)
- Amber (2,700k)
- Blue

See page 4 for direct draw draft beverage towers and accessories

Glastender, Inc. • 5400 N Michigan Rd • Saginaw, MI • 48604-9780 989.752.4275 • 800.748.0423 • Fax 989.752.4444 www.glastender.com	Approval/Notes:
Specifications subject to change without notice. For current specifications please visit our website.	

Coolers - Two Zone, Front Serviced, Bar Profile

Specifications

		C2FB52	C2FB60	C2FB72	C2FB84	C2FB92	C2FB108
Dimensions	Length	52"	60"	72"	84"	92"	108"
	Number of Sections	2	2	3	3	4	4
	Door Opening	16"	20"	16"	20"	16"	20"
Electrical	Electrical Supply	120V, 1 phase, 60 Hz, dedicated 15A circuit required					
	Full Load Amps	3.5		7			
	Plug Type	8 foot NEMA 5-15P grounded cord and plug which exits the back of refrigeration compartment*					
Refrigeration	Refrigerant	R290 - 125 grams, 4.41 oz., 0.28 pounds					
	Compressor	Reciprocating, 1/6 HP, 1,300 BTUH, 0.11 Tons		Reciprocating, 1/4 HP, 2200 BTUH, 0.18 Tons			
	Heat Rejection	1430 BTUH		2867 BTUH			
Operating Range		Beer (next to compressor): 34°F, White wine: 50° to 55°, Red wine: 60° to 65°F					
Plumbing		Automatic condensate evaporator. No drain connection required †					
Weight Bearing Capacity		Countertops and other accessories should not exceed 500 pounds per door					

Materials

- Stainless steel parts include: exterior sub-top, interior, front of cabinet, hinges, hinge and lock brackets, and optional legs
- Black vinyl-clad steel parts include: standard sides, doors and compressor cover
- Galvanized steel parts include: back and bottom
- Zinc plated CR steel parts include: leg sockets



† Building conditions outside the guidelines of ASHRAE 55 and ASHRE 62.1 may need to be plumbed to a drain.

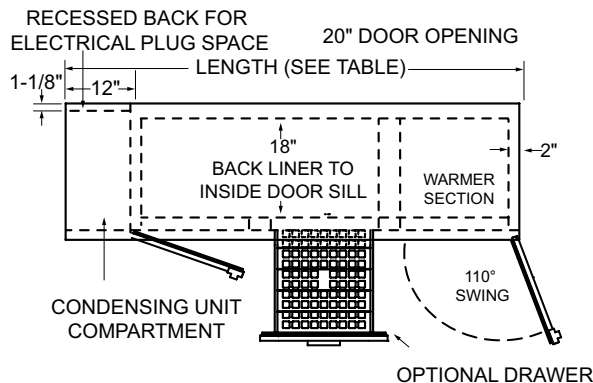
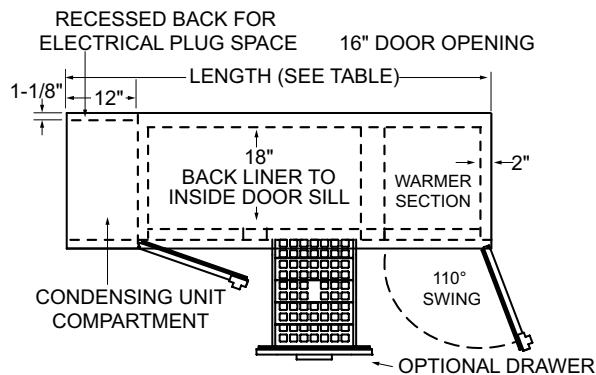
Capacities

		C2FB52	C2FB60	C2FB72	C2FB84	C2FB92	C2FB108
	12 oz. bottles, cases	13.3	17.3	21.1	27.1	28.8	36.8
	750ml wine bottles	127	160	216	258	305	360
	1/2 barrel kegs	N/A	2	N/A	3	N/A	5
	1/6 barrel kegs	7	8	11	14	15	18
Capacity values below are per door/drawer section (750ml wine bottles)							
Next to compressor	Drawers	48	72	48	72	48	72
	Upright pull-out	48	72	48	72	48	72
	Horizontal pull-out	N/A	N/A	N/A	N/A	N/A	N/A
	Combination pull-out	42	54	42	54	42	54
Not next to compressor	Drawers	48	72	48	72	48	72
	Upright pull-out	48	72	48	72	48	72
	Horizontal pull-out	36	48	36	48	36	48
	Combination pull-out	42	60	42	60	42	60

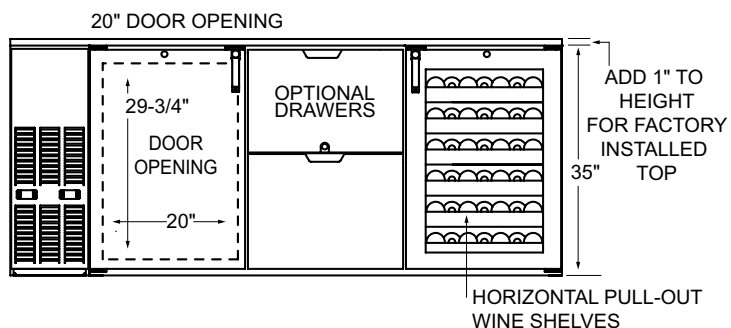
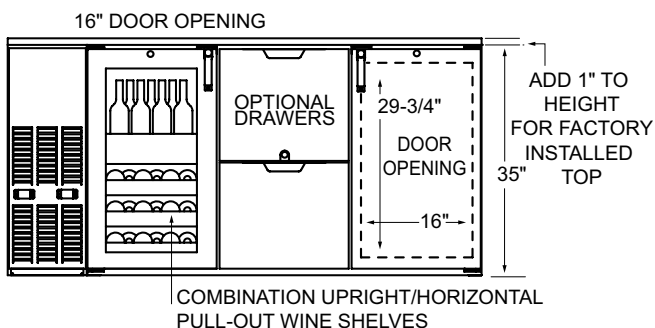
Coolers - Two Zone, Front Serviced, Bar Profile

Drawings

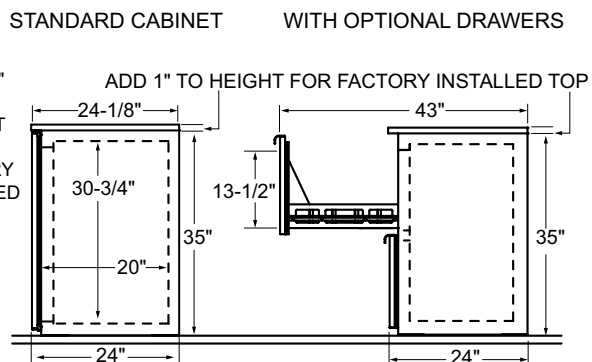
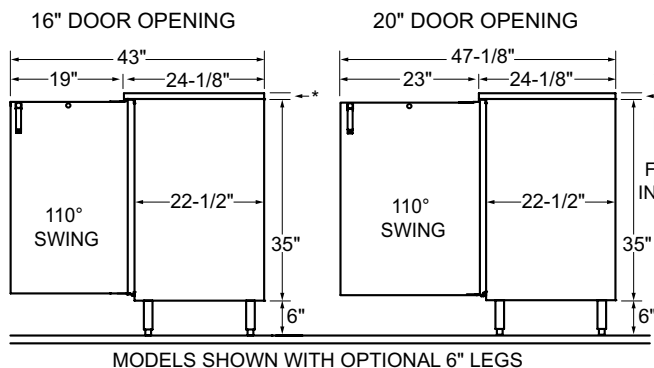
PLAN VIEWS



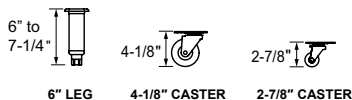
FRONT VIEWS



SIDE VIEWS



OPTIONAL LEGS AND CASTERS





Configuring Bar Profile Coolers for Draft Beverage Dispensing

All Glastender bar profile coolers can be configured for draft beverage dispensing. Please note that a minimum 17" wide door opening is required for full size (i.e., 16" diameter) 1/2 barrel kegs. Refer to the capacity statements in the Product Directory or Specification Sheet for the sizes and quantities of kegs each unit will hold.

Direct Draw Draft Beverage Towers

Glastender Beverage Towers include the stainless steel faucets and shanks necessary to dispense keg beer, wine, soda, coffee, or cocktails. See individual price pages for complete information.

Tee Tower shown
See individual tower
spec sheets for
complete information

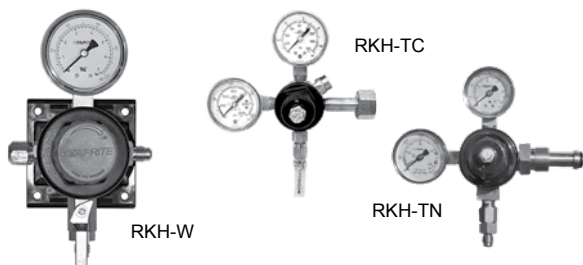
Look for the Draft Beer
Compatible logo



HIGH PRESSURE REGULATOR KITS

High pressure regulators reduce the gas pressure from the primary source. A tank mount regulator attaches directly to a gas cylinder, while a wall mount regulator splices into gas tubing when the gas supply is used for more than one system. RKH-TN regulator kits are used if pre-blended CO₂ and nitrogen or pure nitrogen cylinders are being used. All high pressure regulator kits include 50 feet of braided nylon gas tubing.

MODEL	DESCRIPTION	WGT
RKH-W	Wall mount, CO ₂ or Nitrogen, single gauge	15#
RKH-TC	Tank mount, CO ₂ , double gauge	15#
RKH-TN	Tank mount, Nitrogen, double gauge	15#



ADDITIONAL ACCESSORIES

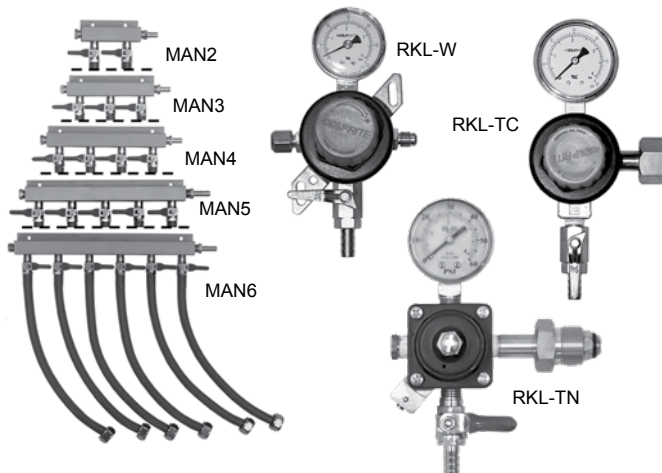
MODEL	DESCRIPTION	WGT
03004240	1/2" ID black drain line, per foot	N/A
05000400	5/16" ID red vinyl air line, per foot	N/A
05000386	1/4" ID nylon braided gas tubing, per foot	N/A
05001066	D system keg coupler w/ss probe	2#
05001026	D system keg coupler, low profile	2#
05003763	S system keg coupler w/ss probe, for select imports	2#
05002019	U System Keg Coupler, stainless probe, for Guinness & Harp	2#
05000368	Lock for beer faucet	2#
05000636	5# CO ₂ tank (unfilled)	15#
LCK	Line cleaning kit	3#
06007084	Drain bottle	2#



LOW PRESSURE REGULATOR KITS

Low pressure regulator kits connect to the gas tubing exiting a high pressure regulator. If a 5 pound gas cylinder will be kept inside the cooler, a single gauge tank mounted RKL-TC or -TN will be required depending on the gas being used. All low pressure regulator kits include 6 feet of red gas tubing. For installations requiring more than one keg on tap, also order the appropriate size manifold kit. All manifold kits include 6 feet of red gas tubing per product, and the clamps required for connecting to keg couplers (sold separately).

MODEL	DESCRIPTION	WGT
RKL-W	Wall mount, CO ₂ or Nitrogen, single gauge	7#
RKL-TC	Tank mount, CO ₂ , single gauge	7#
RKL-TN	Tank mount, Nitrogen, single gauge	7#
MAN2	Two product manifold kit	2#
MAN3	Three product manifold kit	3#
MAN4	Four product manifold kit	4#
MAN5	Five product manifold kit	5#
MAN6	Six product manifold kit	6#



Tower Cooling Kits

Direct draw beverage towers are chilled by air from inside the host cooler. This is especially important for draft beer, as warm faucets cause the beer to foam.

TOWER COOLING KITS

MODEL	DESCRIPTION	WGT
TCK12-1	For 1 & 2-door coolers w/ one tower column	3#
TCK12-2	For 1 & 2-door coolers w/ two tower columns	6#
TCK34-1	For 3 & 4-door coolers w/ one tower column	8#
TCK34-2	For 3 & 4-door coolers w/ two tower columns	11#
TCKR-1	For remote coolers w/ one tower column	3#
TCKR-2	For remote coolers w/ two tower columns	6#