



CP1FB60
stainless steel doors,
and top



Intertek



Intertek

4004503
Conforms to NSF/ANSI STD 7
and UL STD 471
Certified to CSA STD C22.2 No. 120
Listed to NSF Standard 7
for open food as a storage refrigerator

Standard Features

- Self-contained
- Stainless steel interior
- Locking door(s)
- LED interior lighting
- Heated mullion to minimize condensation
- Evaporator above compressor compartment to maximize storage capacity
- Three adjustable, coated-wire shelves per door section

Project: _____	AIA# _____
Item #: _____ Qty: _____	SIS# _____
Model #: _____	

Coolers, Pass-Thru, One Zone, Front Serviced, Bar Profile

CP1FB

CP1FB32, CP1FB36, CP1FB52, CP1FB60,
CP1FB72, CP1FB84

CONFIGURATION HIGHLIGHT



Configurable Options

Temperature:

- Beer/Food - 34°F to 40°F
- White wine - 50°F to 55°F
- Red wine - 60°F to 65°F

Refrigeration Compartment

Location:

- Left or Right

Refrigeration Compartment

Cover Finish:

- Black vinyl-clad
- Stainless steel
- Jeweled stainless
- Laminated
- Unlaminated

Door Style & Finish (specify per door section):

- Black vinyl-clad
- Stainless steel
- Jeweled stainless
- Laminated
- Unlaminated
- Glass, black vinyl-clad
- Glass, stainless steel
- Glass, jeweled stainless
- Glass, laminated

Door Hinge Location (specify for each door):

- Left or Right

Door Handle:

- Signature
- Pull-tab
- Tube

Top Style:

- No finished top
- Stainless top

Left and Right Side Finish:

- Black vinyl-clad
- Stainless steel

LED Lighting Style:

- Bright white (7,000k)
- Warm white (3,500k)
- Amber (2,700k)

- Blue

Glastender, Inc. • 5400 N Michigan Rd • Saginaw, MI • 48604-9780
989.752.4275 • 800.748.0423 • Fax 989.752.4444
www.glastender.com

Approval/Notes:

Specifications subject to change without notice. For current specifications please visit our website.

Coolers - Pass-Thru, One Zone, Front Serviced, Bar Profile

Specifications

		CP1FB32	CP1FB36	CP1FB52	CP1FB60	CP1FB72	CP1FB84
Dimensions	Length	32"	36"	52"	60"	72"	84"
	Number of Sections	1	1	2	2	3	3
	Door Opening	16"	20"	16"	20"	16"	20"
Electrical	Electrical Supply	120V, 1 phase, 60 Hz, dedicated 15A circuit required					
	Full Load Amps	3.5	3.5	3.5	3.5	7.0	7.0
	Plug Type	8 foot NEMA 5-15P grounded cord and plug which exits the back of refrigeration compartment*					
Refrigeration	Refrigerant	R290 - 125 grams, 4.41 oz., 0.28 pounds					
	Compressor	Reciprocating, 1/6 HP, 1300 BTUH, 0.11 Tons				Reciprocating, 1/4 HP, 2200 BTUH, 0.18 Tons	
	Heat Rejection	1430 BTUH	1430 BTUH	1430 BTUH	1430 BTUH	2867 BTUH	2867 BTUH
Operating Range		34°F (1°C) to 65°F (18°C)					
Plumbing		Automatic condensate evaporator; no drain connection required †					
Weight Bearing Capacity		Countertops and other accessories should not exceed 200 pounds per door					

Materials

- Stainless steel parts include: exterior sub-top, interior, front of cabinet, hinges, hinge and lock brackets, and optional legs
- Black vinyl-clad steel parts include: standard sides, doors and compressor cover
- Galvanized steel parts include: back and bottom
- Zinc plated CR steel parts include: leg sockets



† Building conditions outside the guidelines of ASHRAE 55 and ASHRE 62.1 may need to be plumbed to a drain.

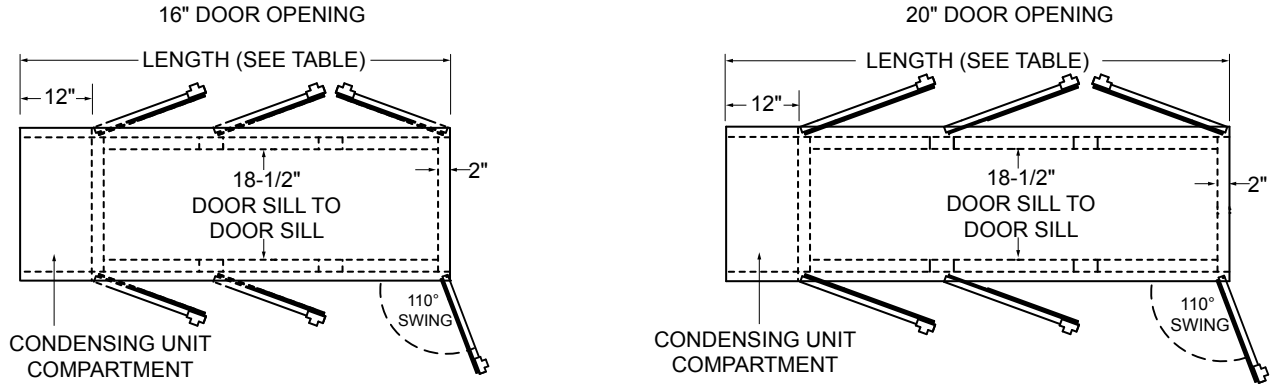
Capacities

	CP1FB32	CP1FB36	CP1FB52	CP1FB60	CP1FB72	CP1FB84
12 oz. bottles, cases	6.6	8.8	14.6	19.1	23.1	29.9
750ml wine bottles	67	79	129	177	209	271
1/2 barrel kegs	N/A	1	N/A	2	N/A	4
1/6 barrel kegs	2	4	7	8	12	14

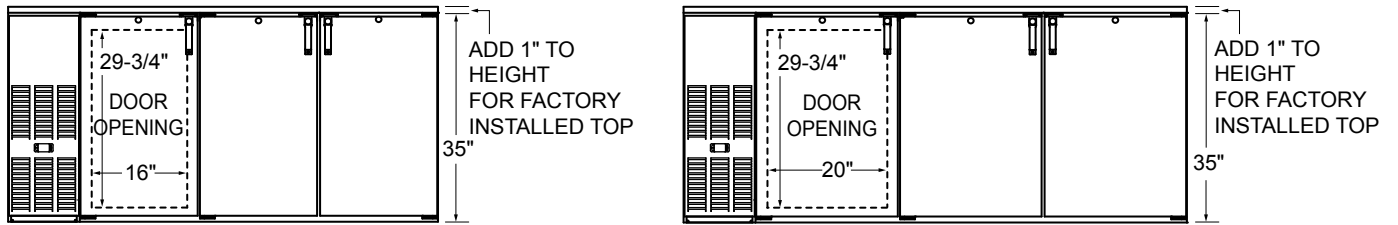
Coolers - Pass-Thru, One Zone, Front Serviced, Bar Profile

Drawings

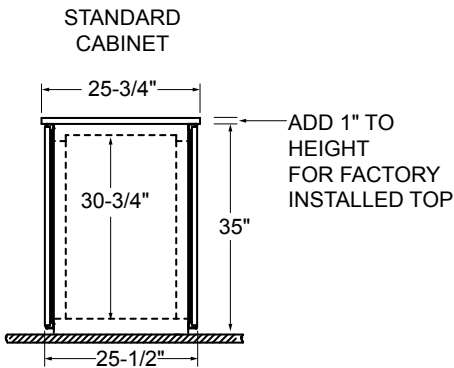
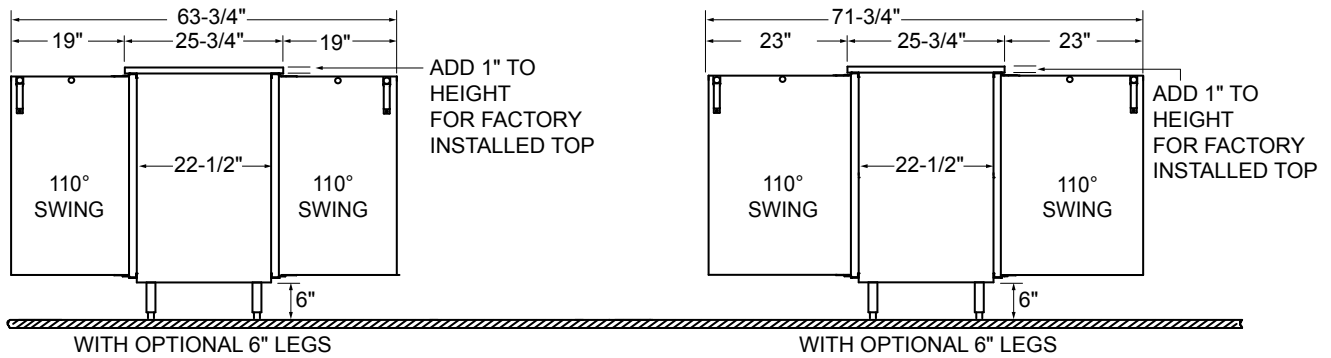
PLAN VIEW



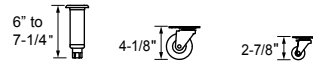
FRONT VIEW



SIDE VIEW



OPTIONAL LEGS AND CASTERS



Note: Available with compressor left or right. Compressor left model shown.