

4004503
 Conforms to NSF/ANSI STD 7
 and UL 60335-2-89
 Certified to CSA 60335-2-89
 Listed to NSF Standard 7
 as a refrigerated food preparation unit

Note: Bottles not included.
 Tablecraft 916 olive oil
 bottles are recommended

Project: _____	AIA# _____
Item #: _____ Qty: _____	SIS# _____
Model #: _____	

Cocktail Prep Cooler Patent Pending

CPC	CPC24
------------	-------

Standard Features

- Self-contained
- Drink rail top with removable perforated insert
- Chilled garnish rail for six 1/9 pans (4" deep)
- Bottle rail for eight elixir bottles
- Removable cutting board
- Locking drawer
- Interior drawer with capacity for six 1/9 pans (4" deep)
- Twelve 1/9 pans with lids included
- Insulated night cover
- Adjustable stainless steel bullet feet

Specifications

		CPC24
Dims.	Length	24"
	Door Opening	20"
Electrical	Electrical Supply	120V, 1 phase, 60 Hz, Dedicated 15A circuit required
	Full Load Amps	2.20
	Plug Type	8 foot NEMA 5-15P grounded cord and plug which exits the back of the refrigeration compartment*
Refrigeration	Refrigerant	R290 - 105 grams, 3.7 oz., 0.23 pounds
	Compressor	Reciprocating, 1/8 HP, 1000 BTUH, 0.08 Tons
	Heat Rejection	901 BTUH
Operating Range		34°F (1°C) to 40°F (4.4°C)
Plumbing		Automatic condensate evaporator. No drain connection required †
Weight Bearing Capacity		N/A

Materials

- Stainless steel parts include: exterior top, interior, legs, sides, and drawers
- Galvanized steel parts include: back and bottom
- Zinc plated CR steel parts include: leg sockets
- HDPE cutting board material, FDA approved, white

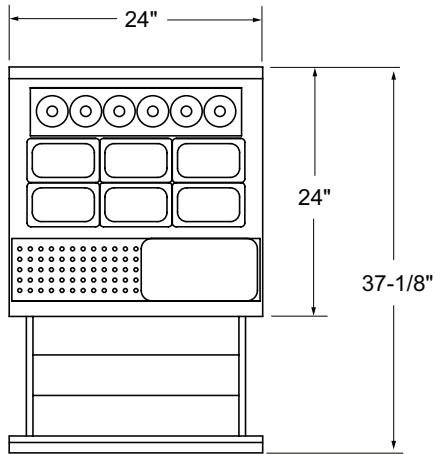


† Building conditions outside the guidelines of ASHRAE 55 and ASHRE 62.1 may need to be plumbed to a drain.

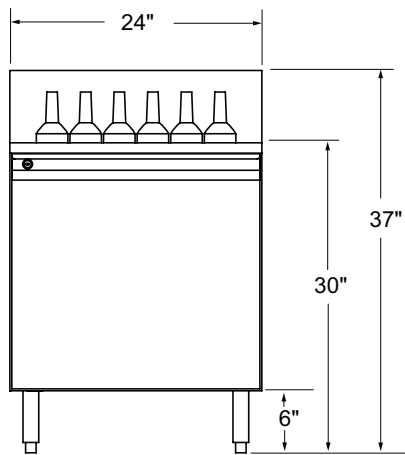
Glastender, Inc. • 5400 N Michigan Rd • Saginaw, MI • 48604-9780 989.752.4275 • 800.748.0423 • Fax 989.752.4444 www.glastender.com	Approval/Notes:
Specifications subject to change without notice. For current specifications please visit our website.	

Coolers - Cocktail Prep

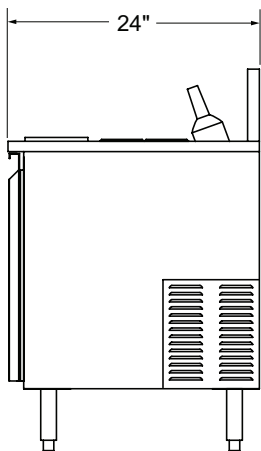
Drawings



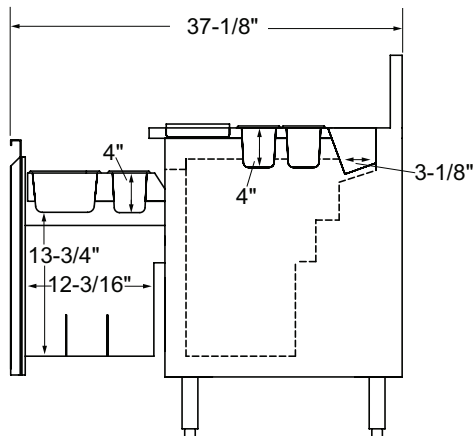
PLAN VIEW



FRONT VIEW



SIDE VIEW



SECTION VIEW

