

Project: _____	AIA# _____
Item #: _____ Qty: _____	SIS# _____
Model #: _____	

18" Condensing Unit Storage Cabinet

CS18

Standard Features

- Removable front louvered panel
- Designed to house 1/3 HP or 1/2 HP condensing units by others

Configurable Options

- Louvered Panel Finish:**
- Black vinyl-clad
 - Stainless steel
 - Laminated
 - Unlaminated
- Top Style:**
- No finished top
 - Stainless top
- Left and Right Side Finish:**
- Black vinyl-clad
 - Stainless steel



CS18
Shown with finished top

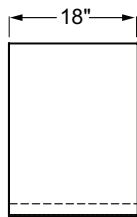
Specifications

- Legs (Optional)**
- 1-5/8" diameter
 - Stainless steel bullet feet
- Materials**
- Black vinyl-clad parts include: standard front and sides
 - Stainless steel parts include: optional legs, back, and sup-top
 - Galvanized steel parts include: base

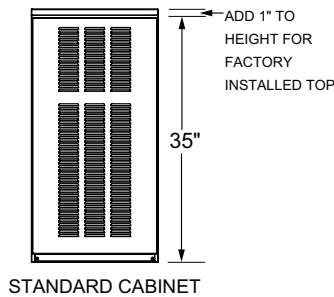
To view cleaning and care instructions, please visit:
https://www.glastender.com/PDF/F-423-011_ss_clean_care.pdf

Drawings

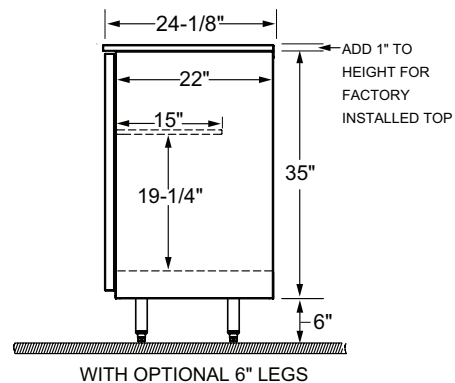
PLAN VIEW



FRONT VIEW



SIDE VIEWS



Glastender, Inc. • 5400 N Michigan Rd • Saginaw, MI • 48604-9780
 989.752.4275 • 800.748.0423 • Fax 989.752.4444
www.glastender.com

Specifications subject to change without notice. For current specifications please visit our website.

Approval/Notes: