



A family company manufacturing in the USA

www.glastender.com



CS1FB60  
Stainless steel doors, and top



Intertek Intertek

4004503

Conforms to NSF/ANSI STD 7 and UL STD 471  
Certified to CSA STD C22.2 No. 120  
Listed as NSF Standard 7  
for open food as a display refrigerator

**Standard Features**

- Self-contained
- Stainless steel interior
- Locking doors
- LED interior lighting
- Heated mullion to minimize condensation
- Evaporator above compressor compartment to maximize storage capacity
- Three adjustable, coated-wire shelves per door section

Project: _____	AIA# _____
Item #: _____ Qty: _____	SIS# _____
Model #: _____	

**Coolers**  
**Shallow Depth, One Zone,**  
**Front Serviced, Bar Profile**

<b>CS1FB</b>	CS1FB52, CS1FB60, CS1FB72, CS1FB84
--------------	---------------------------------------



**Configurable Options**

- |  |   |
|--|---|
| <p><b>Temperature:</b></p> <ul style="list-style-type: none"> <li>• Beer/Food - 34°F to 40°F</li> <li>• White wine - 50°F to 55°F</li> <li>• Red wine - 60°F to 65°F</li> </ul> <p><b>Refrigeration Compartment Location:</b></p> <ul style="list-style-type: none"> <li>• Left or Right</li> </ul> <p><b>Refrigeration Compartment Cover Finish:</b></p> <ul style="list-style-type: none"> <li>• Black vinyl-clad</li> <li>• Unlaminated</li> <li>• Stainless steel</li> <li>• Jeweled stainless</li> <li>• Laminated</li> </ul> <p><b>Door Style &amp; Finish</b> (specify per door section):</p> <ul style="list-style-type: none"> <li>• Black vinyl-clad</li> <li>• Stainless steel</li> <li>• Jeweled stainless</li> <li>• Laminated</li> <li>• Unlaminated</li> <li>• Glass, black vinyl-clad</li> <li>• Glass, stainless steel</li> <li>• Glass, jeweled stainless</li> <li>• Glass, laminated</li> </ul> | <p><b>Door Hinge Location</b> (specify for each door):</p> <ul style="list-style-type: none"> <li>• Left or Right</li> </ul> <p><b>Door Handle:</b></p> <ul style="list-style-type: none"> <li>• Signature</li> <li>• Pull-tab</li> <li>• Tube</li> </ul> <p><b>Top Style:</b></p> <ul style="list-style-type: none"> <li>• No finished top</li> <li>• Stainless top</li> </ul> <p><b>Left and Right Side Finish:</b></p> <ul style="list-style-type: none"> <li>• Black vinyl-clad</li> <li>• Stainless steel</li> </ul> <p><b>Back Finish:</b></p> <ul style="list-style-type: none"> <li>• Galvanized steel</li> <li>• Stainless steel</li> </ul> <p><b>LED Lighting Style:</b></p> <ul style="list-style-type: none"> <li>• Bright white (7,000k)</li> <li>• Warm white (3,500k)</li> <li>• Amber (2,700k)</li> <li>• Blue</li> </ul> |
|--|---|

<p><b>Glastender, Inc.</b> • 5400 N Michigan Rd • Saginaw, MI • 48604-9780 989.752.4275 • 800.748.0423 • Fax 989.752.4444 www.glastender.com</p>	Approval/Notes:
<p>Specifications subject to change without notice. For current specifications please visit our website.</p>	

# Coolers - Shallow Depth, One Zone, Front Serviced, Bar Profile

## Specifications

		CS1FB52	CS1FB60	CS1FB72	CS1FB84
Dimensions	Length	52"	60"	72"	84"
	Number of Sections	2	2	3	3
	Door Opening	16"	20"	16"	20"
Electrical	Electrical Supply	120V, 1 phase, 60 Hz, dedicated 15A circuit required			
	Full Load Amps	3.5	3.5	3.5	3.5
	Plug Type	8 foot NEMA 5-15P grounded cord and plug which exits the back of refrigeration compartment*			
Refrigeration	Refrigerant	R290 - 125 grams, 4.41 oz., 0.28 pounds			
	Compressor	Reciprocating, 1/6 HP, 1300 BTUH, 0.11 Tons			
	Heat Rejection	1430 BTUH			
Operating Range		34°F (1°C) to 40°F (4°C)			
Plumbing		Automatic condensate evaporator; no drain connection required †			
Weight Bearing Capacity		Countertops and other accessories should not exceed 500 pounds per door			

### Materials

- Stainless steel parts include: exterior sub-top, interior, front of cabinet, hinges, hinge and lock brackets, and optional legs
- Black vinyl-clad steel parts include: standard sides, doors and compressor cover
- Galvanized steel parts include: back and bottom
- Zinc plated CR steel parts include: leg sockets



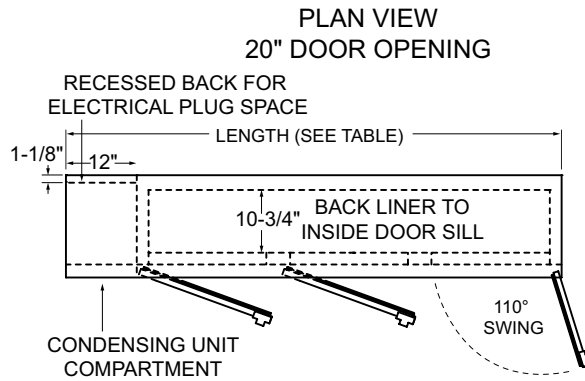
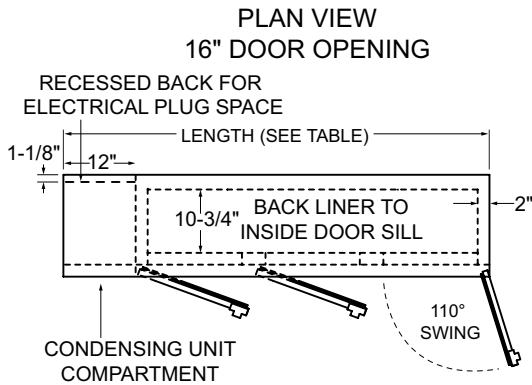
† Building conditions outside the guidelines of ASHRAE 55 and ASHRE 62.1 may need to be plumbed to a drain.

## Capacities

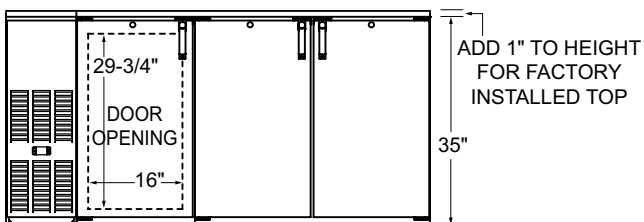
	CS1FB52	CS1FB60	CS1FB72	CS1FB84
12 oz. bottles, cases	8.1	10.6	12.8	16.6
750ml wine bottles	77	102	121	162
1/2 barrel kegs	N/A	N/A	N/A	N/A
1/6 barrel kegs	N/A	N/A	N/A	N/A
<b>Capacity values below are per door/drawer section (750ml wine bottles)</b>				
Drawers	N/A	N/A	N/A	N/A
Upright pull-out	N/A	N/A	N/A	N/A
Horizontal pull-out	N/A	N/A	N/A	N/A
Combo pull-out	N/A	N/A	N/A	N/A

# Coolers - Shallow Depth, One Zone, Front Serviced, Bar Profile

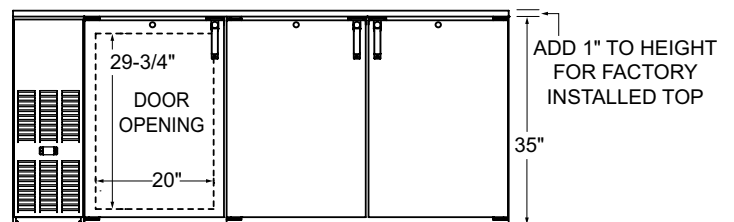
## Drawings



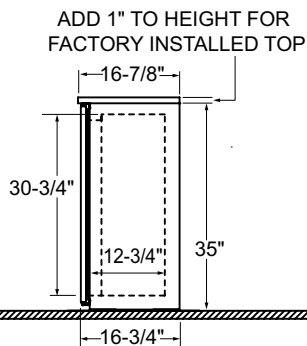
**FRONT VIEW 16" DOOR OPENING**



**FRONT VIEW 20" DOOR OPENING**

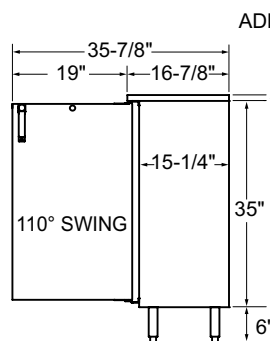


**SIDE VIEW**

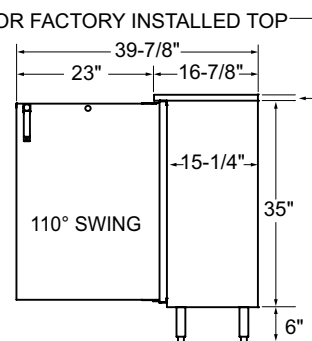


**STANDARD CABINET**

**SIDE VIEW 16" DOOR OPENING**



**SIDE VIEW 20" DOOR OPENING**



**SHOWN WITH OPTIONAL 6" LEGS**

**OPTIONAL LEGS AND CASTERS**

