

| | |
|--------------------------|------------|
| Project: _____ | AIA# _____ |
| Item #: _____ Qty: _____ | SIS# _____ |
| Model #: _____ | |

Column Towers



Intertek
 4004503
 Conforms to NSF/ANSI STD 18

NOTE: Faucet handles not included.

CT-3-SS



CT-3-SS with optional Rinser Faucet Extension



CT- - -

Size:
Specify the number of faucets from 1 to 3.

Stainless steel finished as:
 SS = Grainline
 MF = Mirror
 PB = Brass

Standard Features

- All stainless steel construction
- Integral surface mount drain pan with lift-out perforated insert
- 1/4" shanks with 3/16" restriction lines
- Available in grainline finish, mirror finish, or brass finish* (*NOTE: Brass finish towers provided with mirror finish drain pan and brass finish perforated insert)
- Available with eco friendly foamed-in-place cold plate assembly for recirculating system. Eco friendly foamed-in-place insulation has zero impact on global warming or ozone depletion.
- Available with one, two, or three faucets
- All models include all stainless steel faucets and shanks
- Unique internal support system for solid mounting
- Base plate serves as template for hole cutting
- Available with rinser faucet extension to the left or right of the drain pan. Specify RFE accessory.

To view cleaning and care instructions, please visit:
https://www.glastender.com/PDF/F-423-011_ss_clean_care.pdf

Specifications

Drains

- Drain pan models - 1/2" tailpiece

Materials

- 20 gauge stainless steel parts include: head, column, drain pan, and perforated inserts
- 16 gauge stainless steel parts include: inner column stiffener brackets
- 16 gauge galvanized steel parts include: base plate and faucet stiffeners
- 11 gauge stainless steel parts include: inner column base plate

Shank Sizes

- 1/4" I.D. with 3/16" fittings

Rinser Faucet (optional)

- Accepts 3/8" cold water lead
- 30 psi water pressure regulator included
- 1.2 gallons per minute

NOTE: Rinser faucets are not intended for use with towers mounted to a refrigerator due to risk of water line freeze up.

Rinser Faucet Installation Notes

- Important: Unit must be installed in conformance with applicable federal, state, and local plumbing codes, including adequate backflow when required.
- Must install backflow prevention device conforming to ANSI/ASSE 1022 or ANSI/ASSE 1024 to meet plumbing code (not included).
- Install in-line water regulator (included).
- A separate shut-off valve is recommended (not included).

03012383
 Rinser Faucet
 Assembly



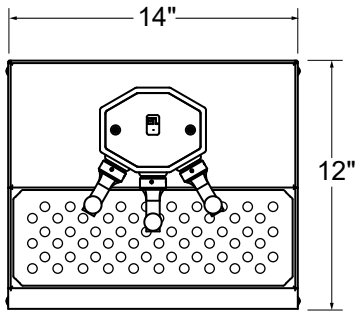
Intertek
 4004503
 Conforms to
 NSF/ANSI STD 372

| | |
|--|-----------------|
| <p>Glastender, Inc. • 5400 North Michigan Road • Saginaw, MI • 48604-9780 989.752.4275 • 800.748.0423 • Fax 989.752.4444 www.glastender.com</p> | Approval/Notes: |
| <p>Specifications subject to change without notice. For current specifications please visit our website.</p> | |

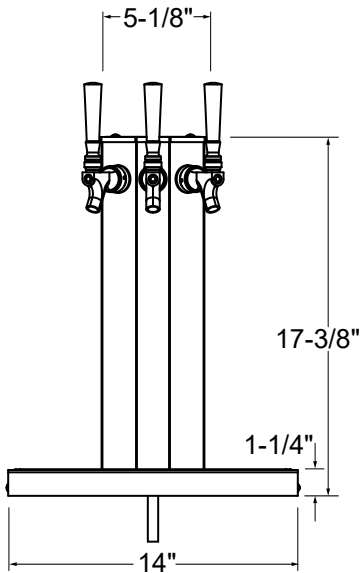
Column Towers

Dimensional Information

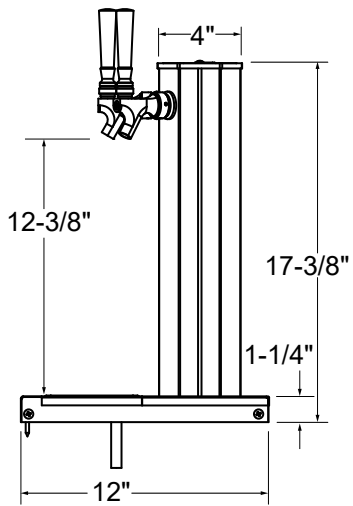
NOTE: Faucet handles not included.



PLAN VIEW

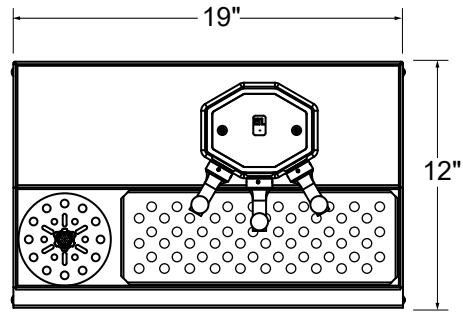


FRONT ELEVATION

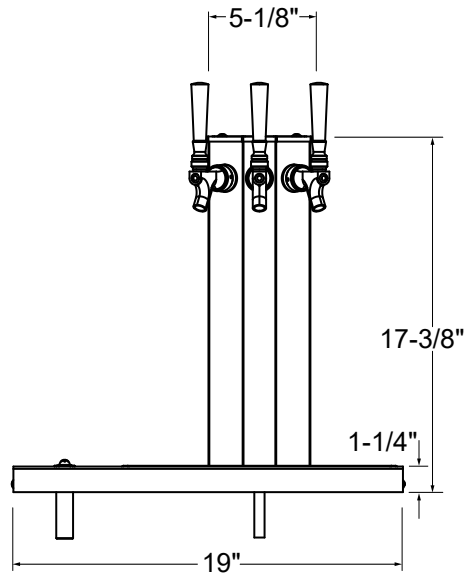


SIDE ELEVATION

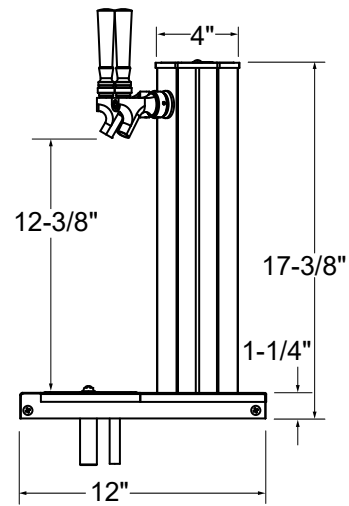
RF - RINSER FAUCET



PLAN VIEW



FRONT ELEVATION



SIDE ELEVATION