



A family company manufacturing in the USA

www.glastender.com



DBCA-18



Intertek

4004503

Conforms to ANSI/NSF STD 2

Project: _____	AIA# _____
Item #: _____ Qty: _____	SIS# _____
Model #: _____	

Drainboard Cabinets

DBC	DBCA-12, DBCA-18, DBCA-24, DBCA-30, DBCA-36, DBCA-42, DBCA-48, DBCB-12, DBCB-18, DBCB-24, DBCB-30, DBCB-36, DBCB-42, DBCB-48
------------	---

Standard Features

- All stainless steel construction
- Adjustable stainless steel bullet feet
- One-piece, seamless top and backsplash featuring 1/4" radius corners for easy cleaning
- Door(s) features integral handle
- Lock(s) standard on models with door(s)
- Work surface consists of a drainboard top with drain pan and separate perforated insert for better air circulation.
- Intermediate shelf and floor are still removable after unit is plumbed and include radius corners
- Plumbing connection is made underneath the unit and does not interfere with shelf or floor.
- Smooth interior walls for easy cleaning and a finished appearance.
- All storage is on a level plane

Configurable Options

- Available without door(s), add suffix "-LD" to to model number
- Flat stainless steel filler board top in lieu of drainboard top, substitute "F" for "D" in the model number

Specifications

Drain

- 1/2" welded tailpiece. Clear vinyl drain line is connected to the tailpiece at the factory. A 1/2" by 1/2" barbed plastic elbow is provided to make the connection at the bottom of the unit.

Legs

- 1-5/8" diameter, 16 gauge stainless steel
- Stainless steel bullet feet

Materials

- 20 gauge stainless steel parts include: all components unless otherwise noted
- 18 gauge stainless steel parts include: leg pads

To view underbar installation instructions, please visit: https://www.glastender.com/PDF/F-750-165_Underbar_Installation_Instructions.pdf
 To view cleaning and care instructions, please visit: https://www.glastender.com/PDF/F-423-011_ss_clean_care.pdf

Glastender, Inc. • 5400 N Michigan Rd • Saginaw, MI • 48604-9780 989.752.4275 • 800.748.0423 • Fax 989.752.4444 www.glastender.com	Approval/Notes:
Specifications subject to change without notice. For current specifications please visit our website.	

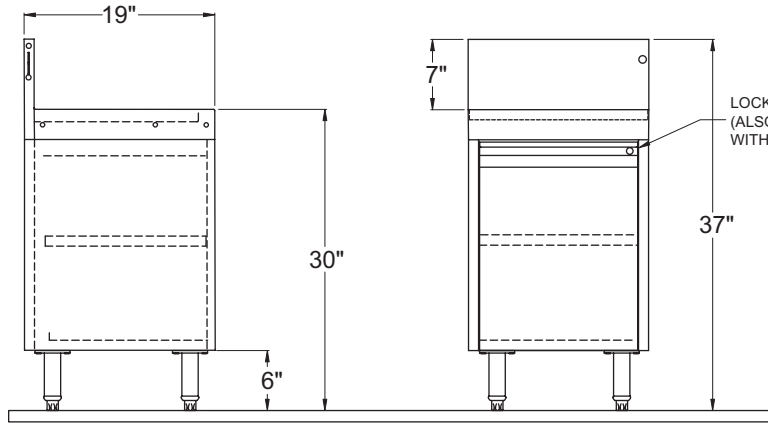
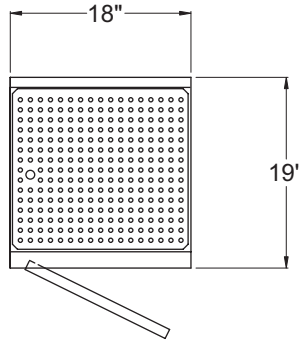
Drainboard Cabinets

Drawings

"A" Depth-19" Deep Models

Model DBCA-18 shown

PLAN VIEW



SIDE VIEW

FRONT VIEW

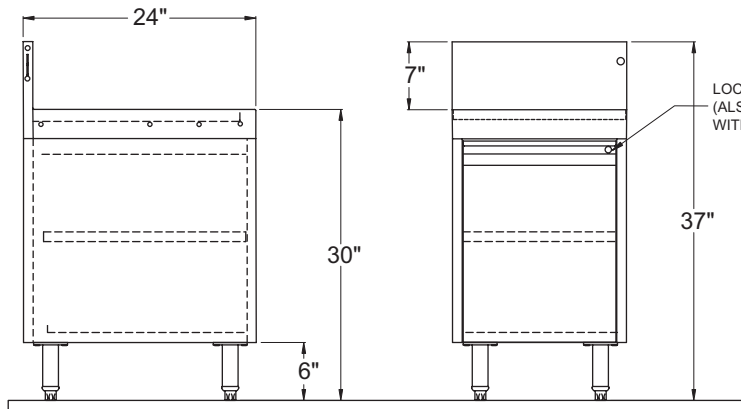
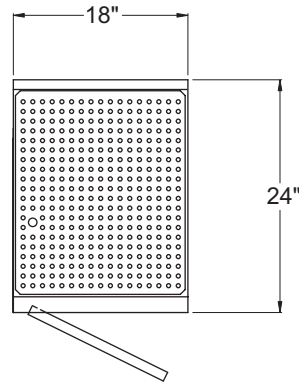
LOCKING DOOR
(ALSO AVAILABLE
WITHOUT DOOR)

Model Number	Overall Length	Number of Doors
DBCA-12	12"	1
DBCA-18	18"	1
DBCA-24	24"	1
DBCA-30	30"	2
DBCA-36	36"	2
DBCA-42	42"	2
DBCA-48	48"	2

"B" Depth-24" Deep Models

Model DBCB-18 shown

PLAN VIEW



SIDE VIEW

FRONT VIEW

LOCKING DOOR
(ALSO AVAILABLE
WITHOUT DOOR)

Model Number	Overall Length	Number of Doors
DBCB-12	12"	1
DBCB-18	18"	1
DBCB-24	24"	1
DBCB-30	30"	2
DBCB-36	36"	2
DBCB-42	42"	2
DBCB-48	48"	2