



A family company manufacturing in the USA

www.glastender.com



DHSB-12



Intertek

4004503

Conforms to ANSI/NSF STD 2
Certified to CSA/CAN STD B45.4



FOF-D
Foot-operated
faucet

Project: _____	AIA# _____
Item #: _____ Qty: _____	SIS# _____
Model #: _____	

Door-Style Hand Sinks

DHSA-18, DHSB-12, DHSB-18

Standard Features

- All stainless steel
- One-piece seamless top and backsplash featuring 1/4" radius corners
- Drawn sink bowl
- Heavy-duty, hot and cold water faucet
- Soap dispenser and C-fold paper towel dispenser
- Front-hinged access door for refilling paper towels
- Adjustable stainless steel bullet feet

Configurable Options

- Foot-operated faucet; specify option FOF-D
- Side splashes; specify option LSA-D (left) and/or RSA-D (right) for DHSA-18, specify option LSB-D (left) and/or RSB-D (right) for DHSB models

Accessories

03000483 Lift-out perforated plastic wet waste strainer

Specifications

Drain

- 1-1/2" I.P.S. threaded drain will fit Dearborn part #8033 slipnut and part #W-573P washer

Faucet

- Deck mount on 4" centers, accepts 3/8" sink leads, hot and cold water connections required
- Optional foot-operated faucet: single hole, (2) 1/2" NPT female inlets and (1) 1/2" NPT female outlet
- NSF/ANSI 61, 372 low lead compliant

Sink Bowl Dimensions

- 9-1/4" by 11-1/2" by 6" deep

Legs

- 1-5/8" diameter, 16 gauge stainless steel
- Adjustable stainless steel bullet feet for total leg height of 16" to 17-1/4"

Materials

- 20 gauge stainless steel parts include: all components unless otherwise noted
- 18 gauge stainless steel parts include: leg pads

⚠ WARNING: The plastic wet waste strainer accessory can expose you to chemicals including Bisphenol A (BPA), which is known to the State of California to cause birth defects or other reproductive harm. For more information, go to www.P65Warnings.ca.gov. **Part #03000483**

Warning applies to State of California only.

To view underbar installation instructions, please visit: https://www.glastender.com/PDF/F-750-165_Underbar_Installation_Instructions.pdf

To view cleaning and care instructions, please visit: https://www.glastender.com/PDF/F-423-011_ss_clean_care.pdf

Glastender, Inc. • 5400 N Michigan Rd • Saginaw, MI • 48604-9780
989.752.4275 • 800.748.0423 • Fax 989.752.4444
www.glastender.com

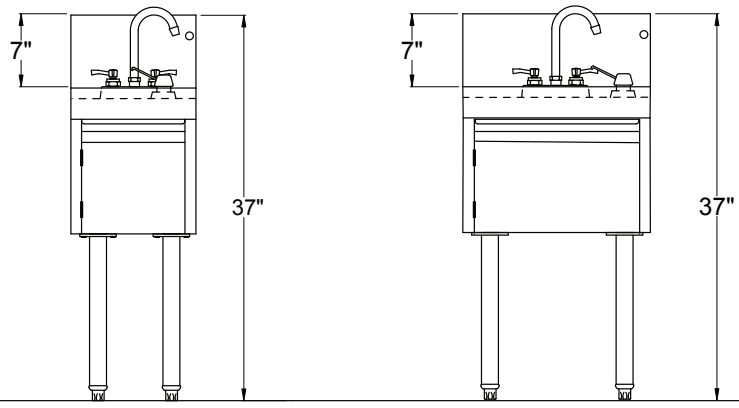
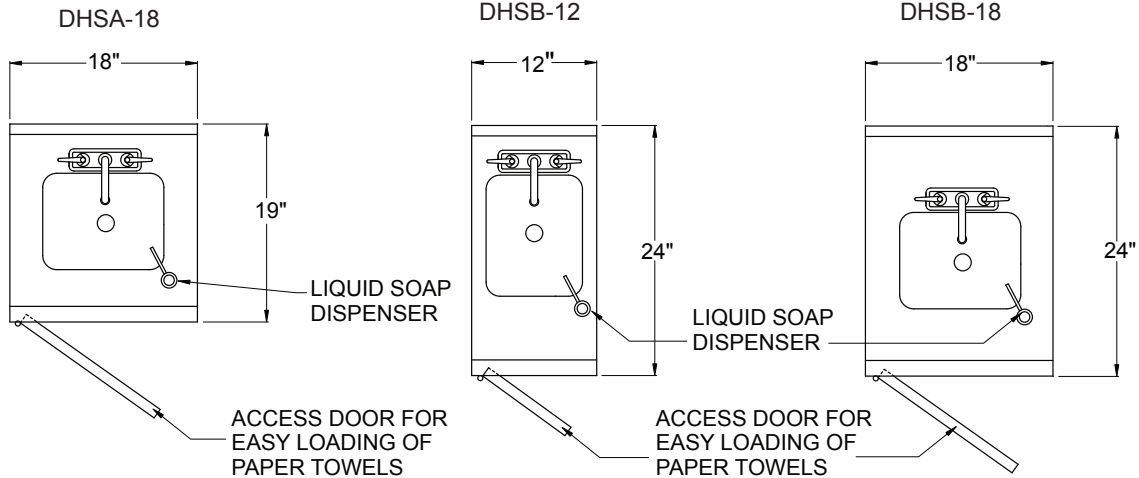
Approval/Notes:

Specifications subject to change without notice. For current specifications please visit our website.

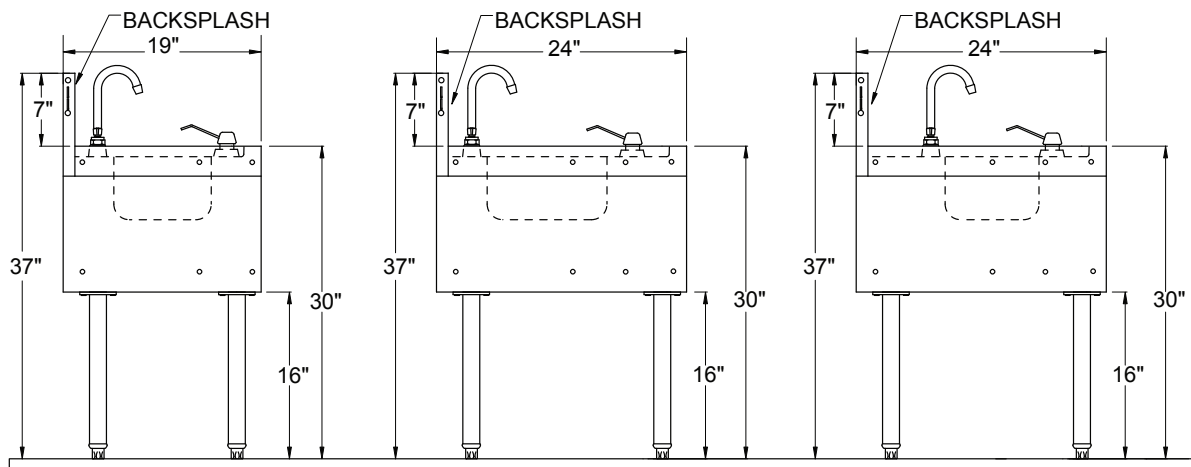
Door-Style Hand Sinks

Dimensional Information

PLAN VIEWS



FRONT AND SIDE ELEVATIONS



"A" DEPTH
 SIDE ELEVATION
 (12" wide unit shown with backsplash mounted faucet. 18" wide units have deck mounted faucet.)

"B" DEPTH
 SIDE ELEVATION

DHSB-12
 FRONT ELEVATION