

Project: _____	AIA# _____
Item #: _____ Qty: _____	SIS# _____
Model #: _____	

Drop-In Hand Sinks

DI-HS12, DI-HS12-LF, DI-HS14, DI-HS14-LF



Intertek

4004503

Conforms to NSF/ANSI STD 2
 Certified to CSA STD B45.4

Standard Features

- Manufactured with total welded construction to meet all NSF® standards
- All stainless steel construction
- Unique hemmed edge for added strength and visual appeal
- 9-1/4" by 11-1/2" by 6" deep sink bowl
- Includes four 1/4-20 x 1-1/2" studs for mounting to countertop
- Includes 1-1/2" IPS drain fitting
- Heavy-duty faucet is standard (available less faucet by adding the suffix '-LF' to the model number)

All faucets are NSF/ANSI 61, Annex G low lead compliant

Specifications

Drains

- 1-1/2" I.P.S. Threaded drain will fit Dearborn part #8033 slipnut and part #W-573P washer.

Faucet

- Deck mount on 4" centers, accepts 3/8" sink leads, hot and cold water connections required

Sink Bowl Dimensions

- 9-1/4" by 11-1/2" by 6" deep

Materials

- 20 gauge stainless steel

To view cleaning and care instructions, please visit: https://www.glastender.com/PDF/F-423-011_ss_clean_care.pdf

⚠️ WARNING: The plastic wet waste strainer included with this product can expose you to chemicals including Bisphenol A (BPA), which is known to the State of California to cause birth defects or other reproductive harm. For more information, go to www.P65Warnings.ca.gov. **Part #03000483**
Warning applies to State of California only.

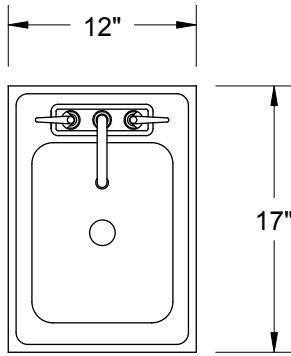
Glastender, Inc. • 5400 N Michigan Rd • Saginaw, MI • 48604-9780
 989.752.4275 • 800.748.0423 • Fax 989.752.4444
www.glastender.com

Approval/Notes:

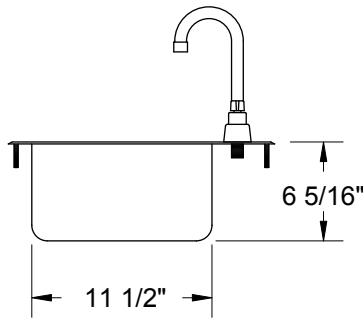
Specifications subject to change without notice. For current specifications please visit our website.

Drop-In Hand Sinks

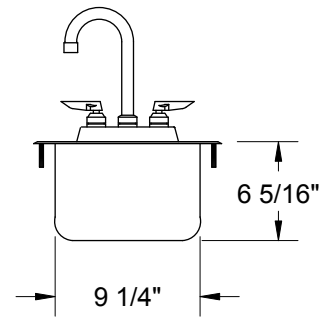
Dimensional Information



PLAN VIEW

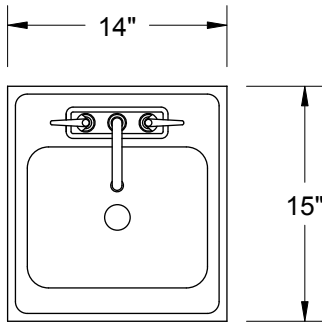


SIDE VIEW

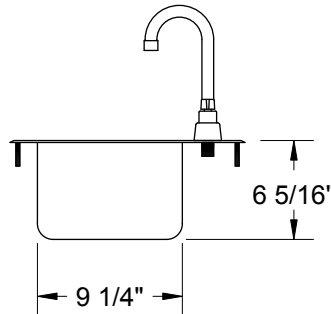


FRONT VIEW

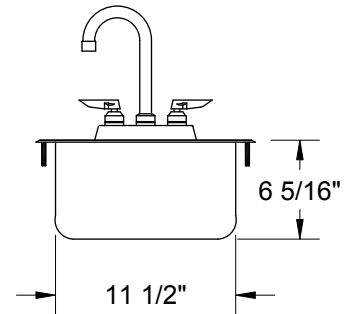
DI-HS12



PLAN VIEW

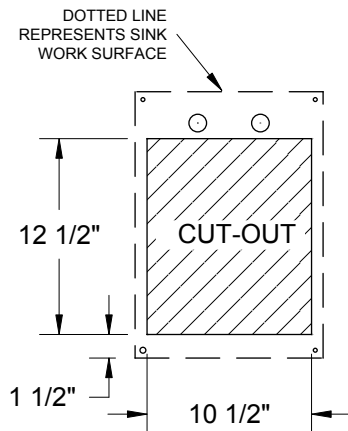


SIDE VIEW



FRONT VIEW

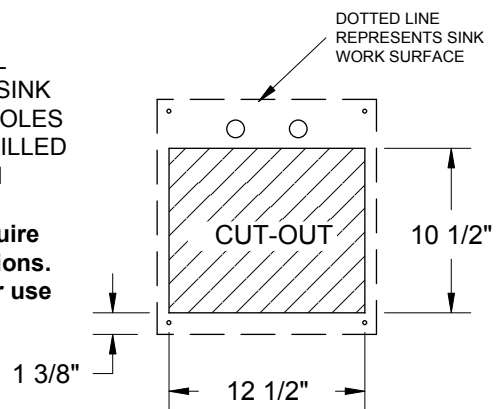
DI-HS14



DI-HS12

CUT-OUT DIMENSIONS:
 10-1/2" x 12-1/2" FOR SINK BOWL
 TWO 1-1/8" DIAMETER HOLES FOR SINK LEADS AND FOUR 5/16" DIAMETER HOLES FOR MOUNTING STUDS MUST BE DRILLED AT TIME OF SINK INSTALLATION

NOTE: Tops thicker than 1" will require larger holes to make faucet connections. The mounting studs provided are for use with tops up to 1-1/2" thick.



DI-HS14

INSTALLATION INFORMATION