

DT-16-SSR

NOTE: Faucet handles not included.



Optional Rinser Faucet Extension -RFE

| | |
|--------------------------|------------|
| Project: _____ | AIA# _____ |
| Item #: _____ Qty: _____ | SIS# _____ |
| Model #: _____ | |

Double-Sided Towers

DT- -

Size:
Specify the number of faucets from 16, 20, 24, 32, 36, 40

Stainless steel finished as:
SS = Grainline
MF = Mirror
PB = Brass

Standard Features

- All stainless steel construction
- Surface mount drain pans with lift-out perforated inserts
- 1/4" shanks with 3/16" restriction lines
- Available in grainline finish, mirror finish, or brass finish* (*Note: Brass finish towers provided with mirror finish drain pan and brass finish perforated insert)
- Insulated cold plate assembly for recirculating system
- Eco friendly foamed-in-place insulated column for extra rigidity. Eco friendly foamed-in-place insulation has zero impact on global warming or ozone depletion.
- All models include all stainless steel faucets and shanks
- Available with rinser faucet extension to the left or right of the drain pan. Specify RFE accessory.

To view cleaning and care instructions, please visit: https://www.glastender.com/PDF/F-423-011_ss_clean_care.pdf

Specifications

Drains

- Drain pan models - 1/2" tailpiece

Materials

- 20 gauge stainless steel parts include: head, column, drain pan, and perforated inserts
- 16 gauge galvanized steel parts include: interior foamed box.
- 11 gauge stainless steel parts include: inner column base and top plate and tower head mounting plate

Shank Sizes

- 1/4" I.D. with 3/16" fittings

Rinser Faucet (optional)

- Accepts 3/8" cold water lead
- 30 psi water pressure regulator included
- 1.2 gallons per minute

NOTE: Rinser faucets are not intended for use with towers mounted to a refrigerator due to risk of water line freeze up.

Rinser Faucet Installation Notes

- Important: Unit must be installed in conformance with applicable federal, state, and local plumbing codes, including adequate backflow when required.
- Must install backflow prevention device conforming to ANSI/ASSE 1022 or ANSI/ASSE 1024 to meet plumbing code (not included).
- Install in-line water regulator (included).
- A separate shut-off valve is recommended (not included).

03012383
Rinser Faucet Assembly



Intertek

4004503
Conforms to NSF/ANSI STD 372

Glastender, Inc. • 5400 North Michigan Road • Saginaw, MI • 48604-9780
989.752.4275 • 800.748.0423 • Fax 989.752.4444
www.glastender.com

Approval/Notes:

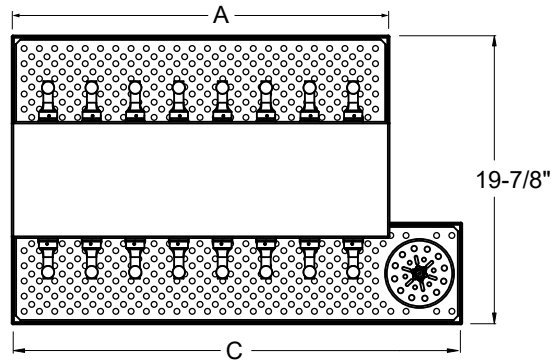
Specifications subject to change without notice. For current specifications please visit our website.

Double-Sided Towers

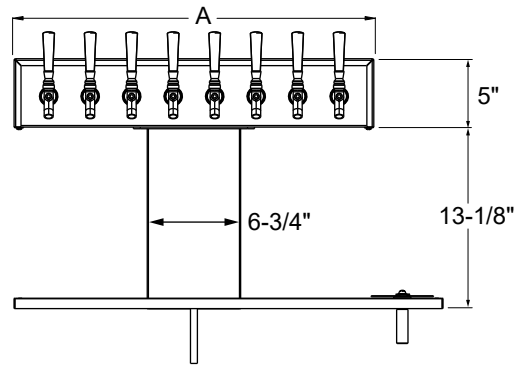
Dimensional Information

| SINGLE COLUMN DT TOWER | | |
|------------------------|--|-----|
| FAUCETS | 16 | 20 |
| "A" WIDTH | 26" | 32" |
| "C" WIDTH | Each rinsers faucet adds 5" to drain pan width | |

SINGLE COLUMN DT PLAN VIEW

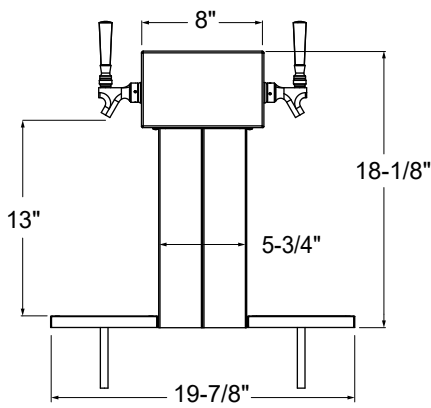


DT FRONT ELEVATION

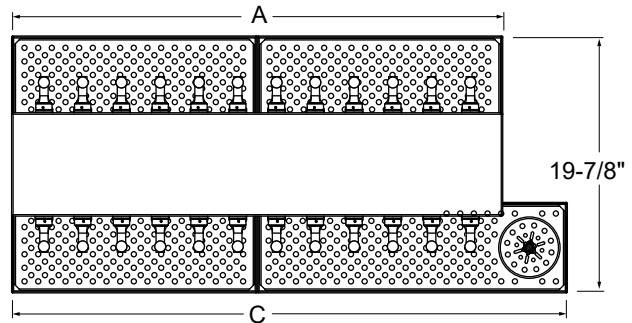


SHOWN WITH OPTIONAL RINSER FAUCET

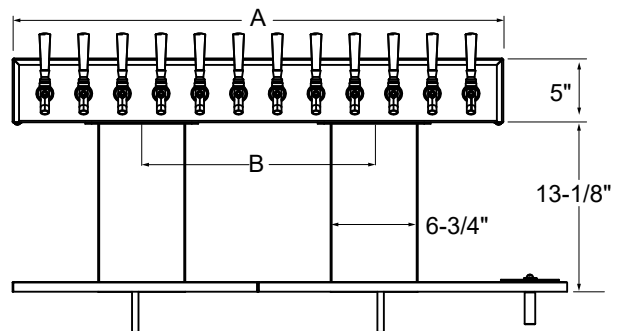
DT SIDE VIEW



DOUBLE COLUMN DT PLAN VIEW



DOUBLE COLUMN DT FRONT ELEVATION



SHOWN WITH OPTIONAL RINSER FAUCET

| DOUBLE COLUMN DT TOWER | | | | |
|------------------------|--|-----|-----|-----|
| FAUCETS | 24 | 32 | 36 | 40 |
| "A" WIDTH | 38" | 50" | 56" | 62" |
| "B" WIDTH | 18" | 24" | 27" | 30" |
| "C" WIDTH | Each rinsers faucet adds 5" to drain pan width | | | |