

Project: _____	AIA# _____
Item #: _____ Qty: _____	SIS# _____
Model #: _____	

Ice Cream Freezers

FRA-24, FRA-36, FRB-24 or FRB-36

FRA-24



Standard Features

- All stainless steel exterior with 16 gauge galvanized steel floor
- Completely integrated design - not just a cabinet with separate drop-in module
- One-piece, seamless top and backsplash
- Adjustable stainless steel bullet feet
- Eco friendly foamed-in-place insulation has zero impact on global warming or ozone depletion
- 6" diameter seamless welded draining dipper well and faucet
- Eight foot grounded cord and plug provided (exits at rear)
- Available sizes to hold one or two 3-gallon containers
- Leg sockets recessed into base



Intertek

EP 5016978
 Energy Performance
 Verified / Rendement
 Énergétique Vérifié



Intertek

4004503
 Conforms to NSF/ANSI STD 7
 and UL STD 471
 Certified to CSA STD C22.2 No. 120



Intertek

**All faucets are NSF/ANSI 372
 low lead compliant**

Specifications

Drains

- 1-1/2" I.P.S. Threaded drain will fit Dearborn part #8033 slipnut and part #W-573P washer.

Faucet

- Accepts 3/8" cold water leads

Capacity

- 24" wide model holds one 3-gallon container
- 36" wide model holds two 3-gallon containers

Product Storage Clearance Dimensions

- 24" Models- 10-1/16" x 10-1/16" x 12-1/4"H
- 36" Models 10-1/16" x 20-1/16" x 12-1/4"H

Electrical

- 120V, 1 phase, 60 Hz, 3.5 full load amps
- Dedicated 15 amp circuit is recommended
- Includes 8 foot NEMA 5-15P grounded cord and plug



5-15P

Refrigeration

- 1/4 HP, 0.06 Ton, R290 100g (3.53 oz)
- 1,433 BTU/hr heat rejection

Operating Range

- -5°F (-20°C) to 10°F (-12°C)

Legs

- 1-5/8" diameter 16 gauge stainless steel
- Stainless steel bullet feet

Materials

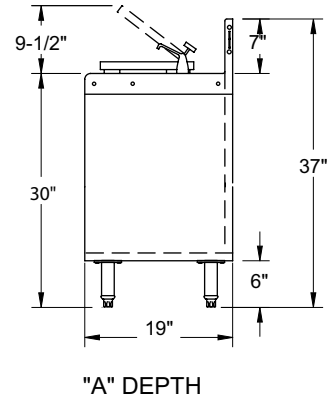
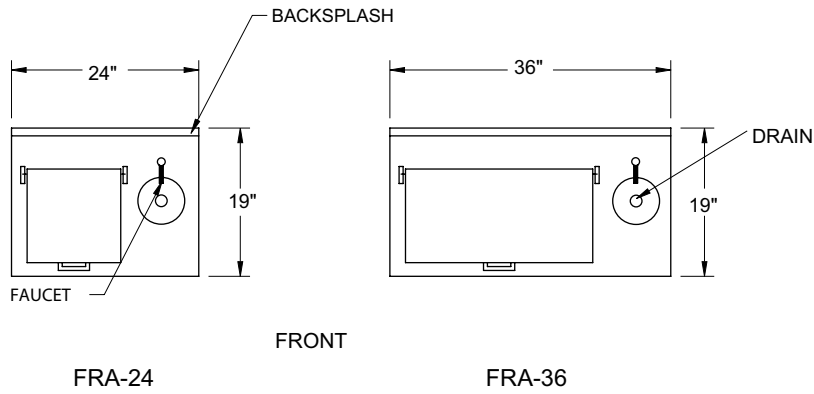
- 20 gauge stainless steel parts include: all components unless otherwise noted
- 22 gauge galvanized steel parts include: wrap on body of freezer unit
- 16 gauge galvanized steel parts include: cabinet floor, condensing unit floor, and leg pads

Glastender, Inc. • 5400 N Michigan Rd • Saginaw, MI • 48604-9780 989.752.4275 • 800.748.0423 • Fax 989.752.4444 www.glastender.com	Approval/Notes:
---	-----------------

Specifications subject to change without notice. For current specifications please visit our website.

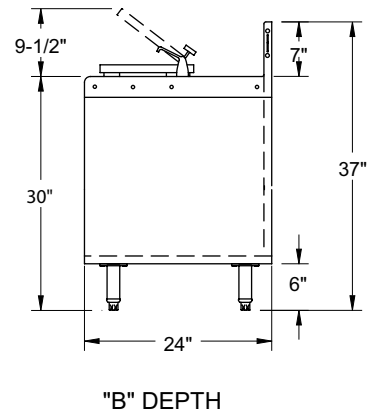
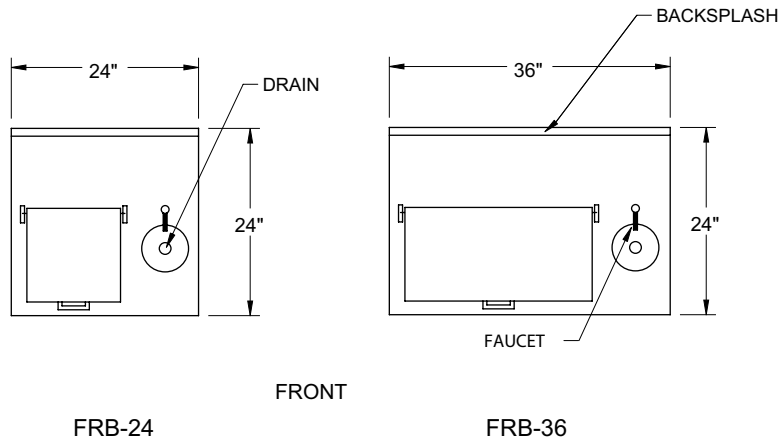
Ice Cream Freezers

Dimensional Information



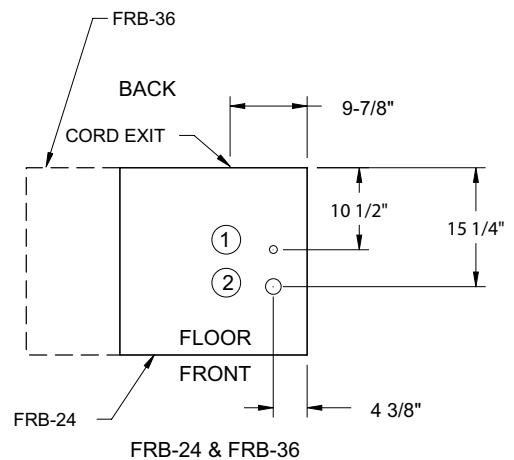
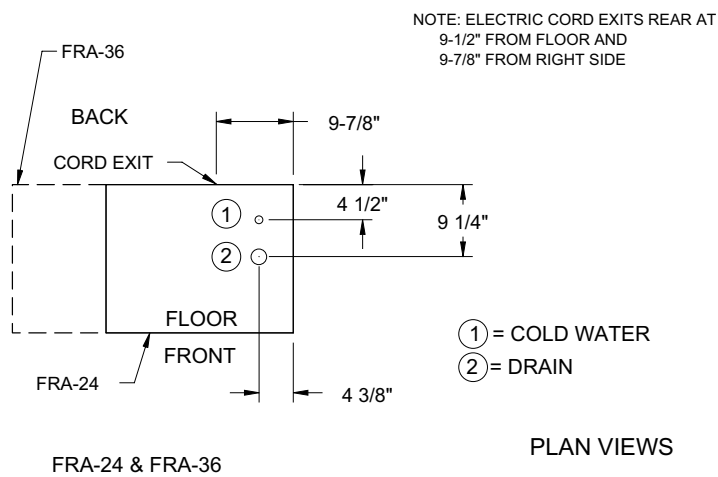
PLAN VIEWS

SIDE ELEVATION



PLAN VIEWS

SIDE ELEVATION



MECHANICALS