



A family company manufacturing in the USA

www.glastender.com



Project: _____	AIA# _____
Item #: _____ Qty: _____	SIS# _____
Model #: _____	

High Temperature Glasswasher

GD24HT

Standard Features

- Steam Elimination
- Energy Recovery System collects the hot water vapor inside the machine and uses it to preheat the incoming rinse water
- Operates on a single cold water connection
- Soft Start helps protect glassware from chipping and breaking
- Energy Saver mode
- Door interlock and door switch
- Pressure regulator and water hammer arrestor
- Built-in booster heater with Sani-Sure™ final rinse system
- Solid-state controls with three selectable timed cycles for warewashing flexibility and performance
- Digital LED temperature/operator display
- Onboard service diagnostics
- Automatic tank fill with push button start
- Delime cycle
- Automatic pumped drain for floor and wall drain installations
- Built-in chemical pumps and priming switches
- Stainless steel construction, wash pump and rear dress panel
- Above-water scrap basket
- Labyrinth-type door seal design
- Adjustable bullet feet
- One (1) each peg and combination rack included

Accessories

01001754 Drain Water Tempering Kit

Glastender, Inc. • 5400 N Michigan Rd • Saginaw, MI • 48604-9780 989.752.4275 • 800.748.0423 • Fax 989.752.4444 www.glastender.com	Approval/Notes:
Specifications subject to change without notice. For current specifications please visit our website.	

High Temperature Glasswasher

Specifications

Minimum Operating Temperature	
Wash Temp	155°F (68 °C)
Rinse Temp	180°F (82 °C)

Operating Cycle	
Normal - 145 sec.	
Heavy - 213 sec.	
Extra Heavy - 313 sec.	

Capacity	
Racks Per Hour	24 (20)*
Dishes Per Hour	600
Glasses Per Hour	864

Dimensions	
Width & Depth	24-1/4"W 26-7/8"D
Depth with Door Open	40-7/8"D
Height	36-1/4"
Inside Clearance Height	12"
Wall Clearance	1/4"
Drain Height	10-3/8"
Weight	281 lbs

Water Consumption (Gallons)	
Per Rack	0.60
Per Hour	14.40
Per Hour**	12.00
Wash Tank Capacity	3.00
Rinse Tank Capacity	1.66

Water Requirements	
Incoming Water Temperature	40-90°F (5-33 °C)
Flow Pressure (PSI)	10
Incoming Water Connection (NPT)	3/4" Male GHT (connect to true 1/2" ID line)
Drain Connection (ID)	5/8"

Electrical		
Wash Pump Motor (HP)	3/4	
Wash Tank Heater (kW)	208V - 3.3 230V - 4.0	
Rinse Tank Heater (kW)	208V - 4.1 230V - 5.2	
Power Supply		
208/60/1	Total Load	26.3 A
	Min. Circuit Ampacity	27.9 A
	Max. Over-current Protection	30.0 A
230/60/1	Total Load	29.2 A
	Min. Circuit Ampacity	30.8 A
	Max. Over-current Protection	35.0 A

*Racks per hour calculated with NSF suggested load time of thirty (30) seconds for front opening type.

**Gallons per hour calculated with NSF suggested load time of thirty (30) seconds for front opening type.

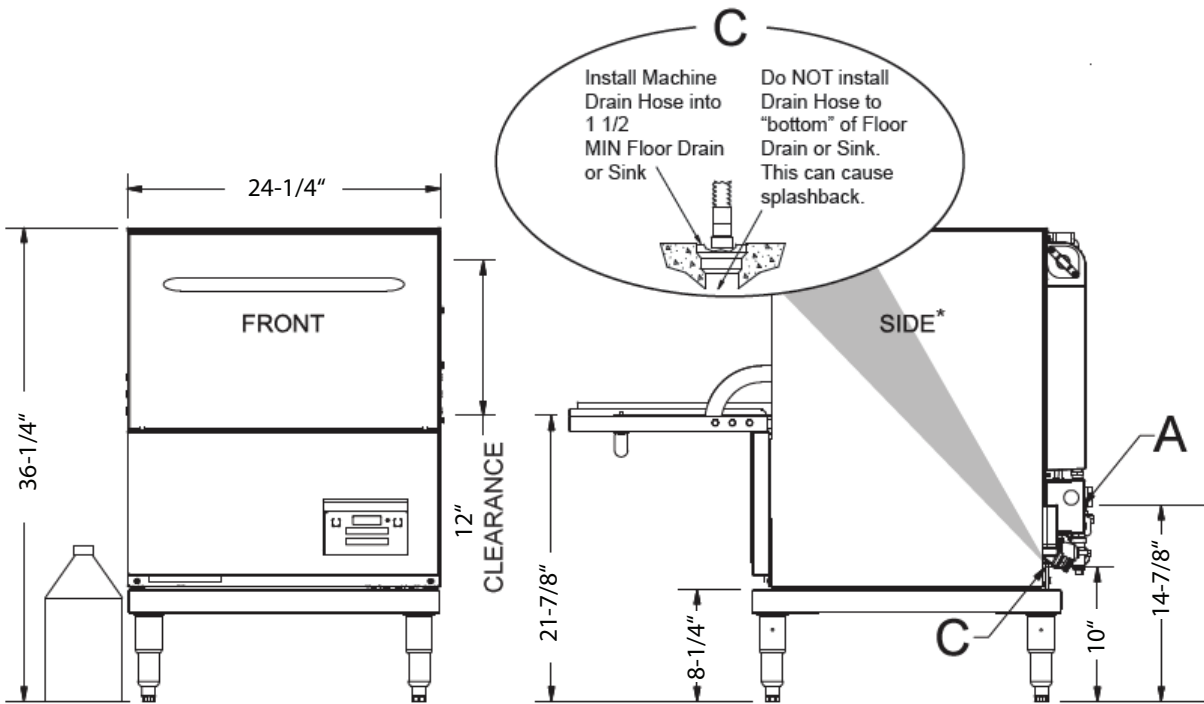
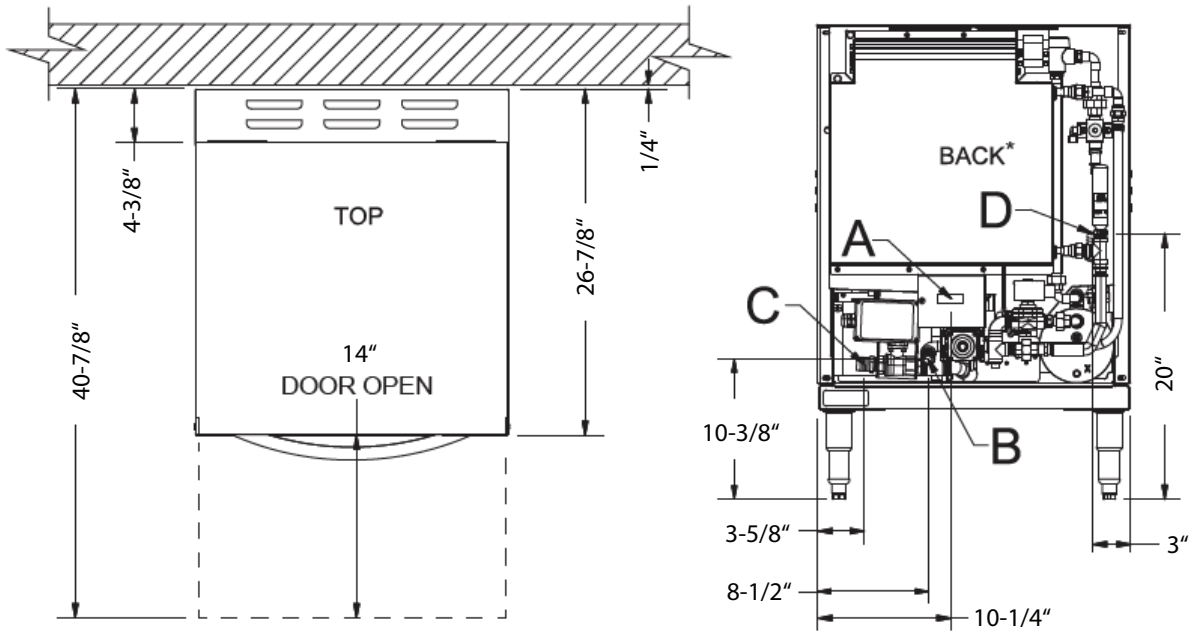


5400 N Michigan Rd • Saginaw, MI • 48604-9780
989.752.4275 • 800.748.0423 • Fax 989.752.4444
www.glastender.com

Printed in USA

High Temperature Glasswasher

Drawings



*Back and side views shown with back panel removed.