



GT-18



Intertek



Intertek

4004503

Conforms to NSF/ANSI STD 3 and UL STD 921
 Certified to CSA STD C22.2 No. 168

Project: _____	AIA# _____
Item #: _____ Qty: _____	SIS# _____
Model #: _____	

Rotary Rack Glasswasher

GT	GT-18
-----------	-------

Standard Features

- Removable top for easy cleaning access (GT-18, GT-18+1, GT-18+1L, GT-18+1R, GT-18+2, and GT-18+2-IC tops are interchangeable)
- Drive Wheel and Glass Rack lift out for cleaning
- Two 16" diameter polypropylene racks included
- No curtains are required
- Removable side panels for easy service access
- Spray box unlatches for easy cleaning and visual inspection
 - 15 spray nozzles have been engineered for maximum soil removal
- Digital temperature gauge built into switch panel
- Intelligent microprocessor control delays cycle start, up to two minutes, when incoming water is below 120°F (49°C)
- Automatic peristaltic metering pumps accurately dispense detergent, sanitizer and rinse aid
- Prime Switch for quick chemical priming
- 1/6 HP pump recirculates wash water and rinse water
- Fractional HP drive motor powers the belt-driven rotary rack and includes built-in slip clutch
- Built-in air gap - vacuum breaker is not required

Specifications

Materials

- 20 gauge stainless steel parts include: cabinet
- 18 gauge stainless steel parts include: floor and tanks
- 16 gauge stainless steel parts include: leg mounting brackets and legs
- 11 gauge stainless steel parts include: drive wheel

Detergent

- Extra heavy duty, non-foaming, commercial liquid dishwashing detergent is required - 0.30% concentration
- Consult local chemical supplier to match detergent with local water conditions

Sanitizer

- Liquid chlorine bleach (sodium hypochlorite - 5.25% solution) adjusted to 50 ppm

Rinse Aid

- Liquid Rinse Aid adjusted for proper sheeting

<p>Glastender, Inc. • 5400 N Michigan Rd • Saginaw, MI • 48604-9780 989.752.4275 • 800.748.0423 • Fax 989.752.4444 www.glastender.com</p>	Approval/Notes:
<p>Specifications subject to change without notice. For current specifications please visit our website.</p>	

GT-18 Glasswasher

Specifications

General Plumbing	
Water Connection	1/2" water supply 3/8" FMPT
Min. Water Pressure	25 PSI
Max. Water Pressure	100 PSI
Consumption	2.5 gallons per cycle
Hot Water Supply	Max.: 150°F (66°C) Min.: 120°F (49°C)

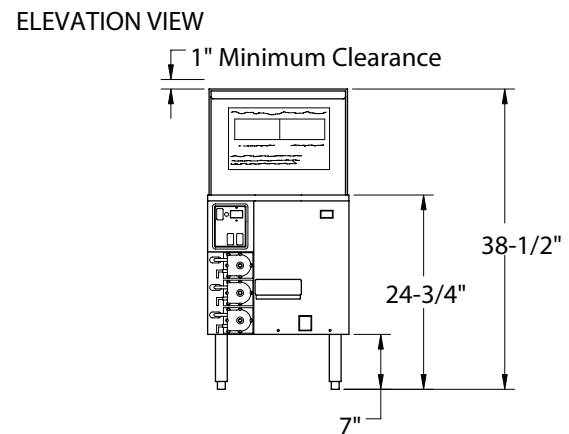
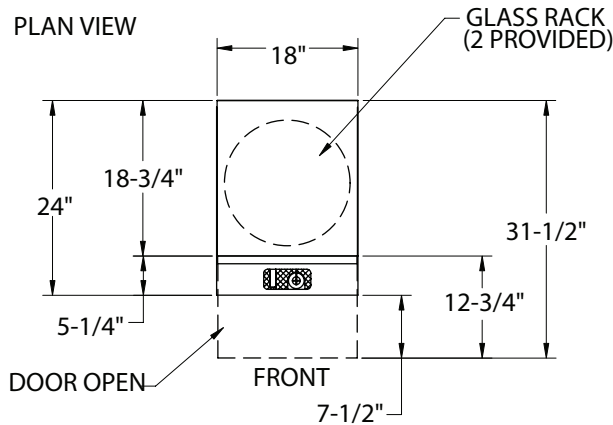
Capacity
720 - 2-3/4" diameter glasses per hour
600 - 2-1/2" diameter glasses per hour

Operating Cycle
2 min., 70 sec. wash, and 22 sec. rinse exposure

Electrical	
Electrical Supply	120V, 1 phase, 60 Hz
Full Load Amps	3.5 amps, dedicated 15 amp circuit recommended
Plug Type	6 foot NEMA 5-15P grounded cord included



Drawings

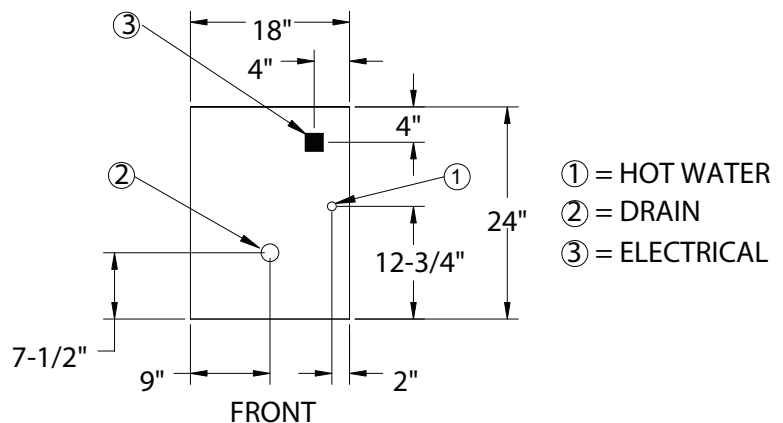


Mechanicals

Note: 1. In all cases, consult local plumbing, electrical and health codes for regulations which may not be consistent with the information on the front of this specification sheet

2. The utility connections are made from the floor at the bottom of the unit approximately 7" to 8" high.

3. The Glastender policy of constant quality improvement means specifications are subject to change without notice.



Installation Note:

Front side service is essential. Detergent, Sanitizer, and Rinse Aid containers are stored externally - six-foot lengths of tubing are provided. Storage for three one-gallon containers is required within five feet.



5400 N Michigan Rd • Saginaw, MI • 48604-9780
989.752.4275 • 800.748.0423 • Fax 989.752.4444
www.glastender.com

Printed in USA