



LC



Project: _____	AIA# _____
Item #: _____ Qty: _____	SIS# _____
Model #: _____	

Lettuce Crisper

LC

Standard Features

- Self-contained forced air refrigeration system for uniform cooling of product
- Automatic condensate evaporator
- Automatic defrost timer
- All 300 series stainless steel interior construction
- Roto-molded plastic foamed-in-place insulated door and lettuce chute
- 300 series stainless steel exterior construction with galvanized steel back and bottom
- Removable plastic lettuce bin (divider for bin and extra bins available)
- CFC free foamed-in-place insulation
- Removable condenser air inlet filter for easy cleaning
- Lift-up door with plexi-glass window
- Bracket for wall mounting
- 4" adjustable legs available
- Ten-foot grounded cord and plug provided

Specifications

Electrical

- 115V, 1 phase, 60 Hz, 5.0 full load amps
- Separate 15 amp circuit is required
- Includes a 6-foot grounded cord
- Available with 220V, 1 phase, 50Hz electrical

Refrigeration

- 1/4 HP, R134a refrigerant

Plumbing

- Automatic condensate evaporator. No drain connection required

Lettuce Bin

- Removable plastic bin included

Operating Range

- 35° F to 40° F

Legs (Optional)

- 4" stainless steel legs with adjustable bullet feet

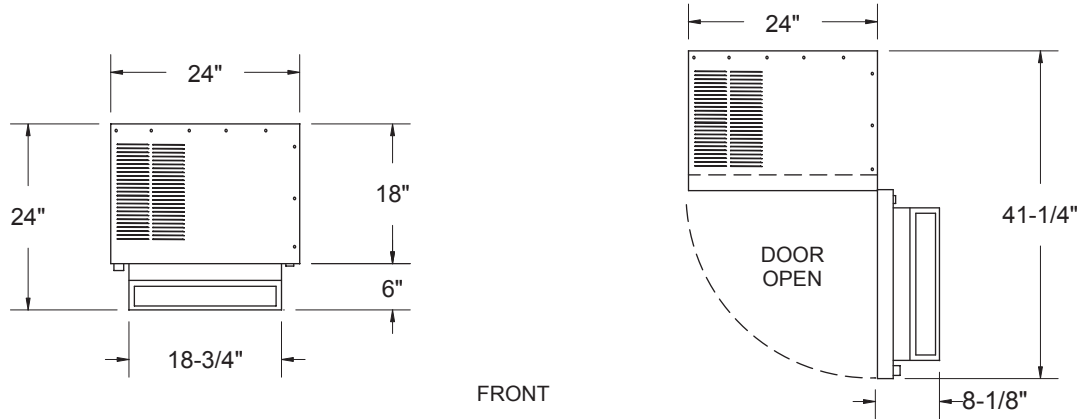
Materials

- 22 gauge stainless steel parts include: interior and exterior front, sides, and condensing unit compartment cover
- 22 gauge galvanized steel parts include: back
- 16 gauge galvanized steel parts include: condensing unit floor and exterior bottom
- Roto-molded plastic parts include: lettuce bin, door and lettuce chute

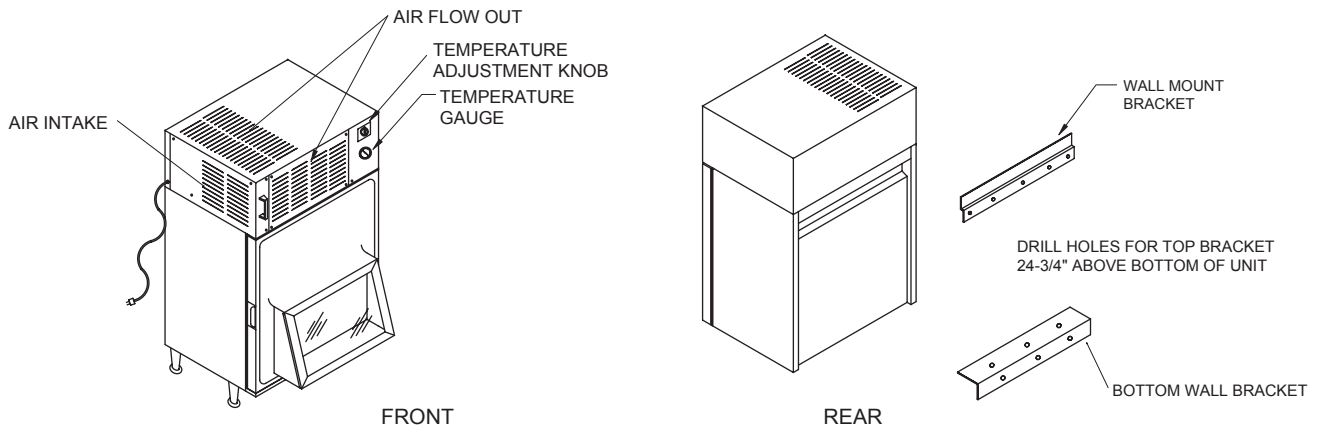
Glastender, Inc. • 5400 North Michigan Road • Saginaw, MI • 48604-9780 989.752.4275 • 800.748.0423 • Fax 989.752.4444 www.glastender.com	Approval/Notes:
Specifications subject to change without notice. For current specifications please visit our website.	

Lettuce Crisper

Dimensional Information

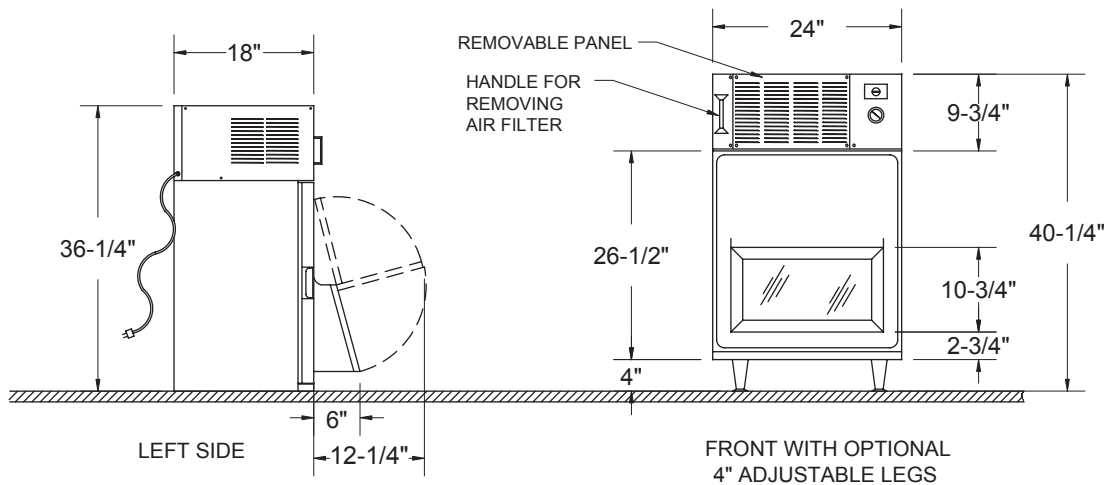


PLAN VIEWS



WARNING: COMPRESSOR FAILURE DUE TO RESTRICTION OR BLOCKAGE OF AIR FLOW WILL VOID WARRANTY.

ISOMETRIC VIEWS



ELEVATION VIEWS