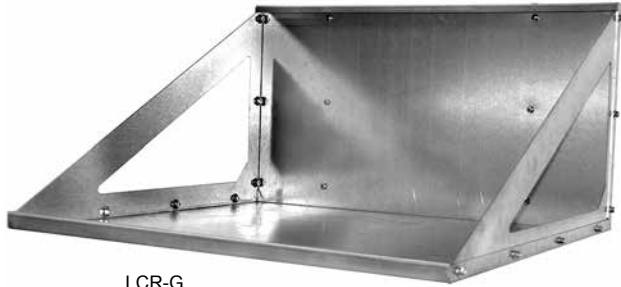


Project: _____	AIA# _____
Item #: _____ Qty: _____	SIS# _____
Model #: _____	

Line Chiller Racks

LCR-G, LCR-S



LCR-G

Standard Features

- All 16 gauge galvanized or stainless steel construction
- Pre-drilled mounting holes to fit Glastender line chiller models

To view cleaning and care instructions, please visit:
https://www.glastender.com/PDF/F-423-011_ss_clean_care.pdf

Product Details

LCR-S

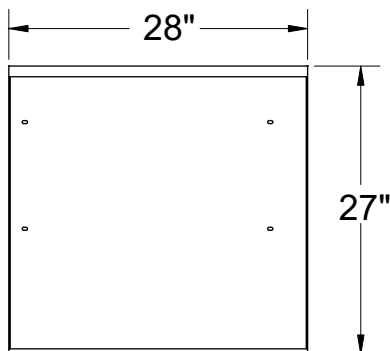
- All 16 gauge stainless steel
- Designed for use with line chiller models BLC-1/3, BLC-1/3-2, BLC-1/2, BLC-1/2-2, BLC-3/4, and BLC-3/4-2

LCR-G

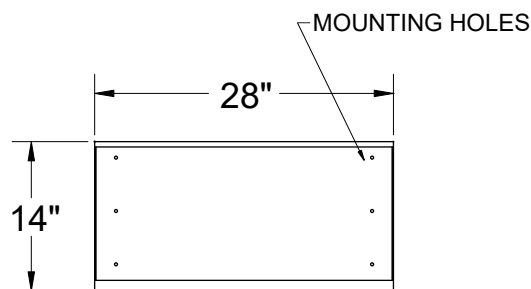
- All 16 gauge galvanized steel
- Designed for use with line chiller models BLC-1/3, BLC-1/3-2, BLC-1/2, BLC-1/2-2, BLC-3/4, and BLC-3/4-2

Dimensional Information

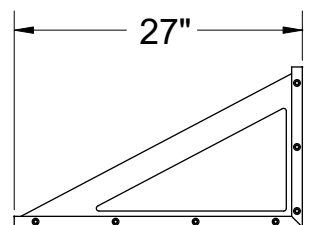
LCR-G and LCR-S



PLAN VIEW



FRONT ELEVATION



SIDE ELEVATION

Glastender, Inc. • 5400 North Michigan Road • Saginaw, MI • 48604-9780
 989.752.4275 • 800.748.0423 • Fax 989.752.4444
www.glastender.com

Approval/Notes:

Specifications subject to change without notice. For current specifications please visit our website.