

Project: _____	AIA# _____
Item #: _____ Qty: _____	SIS# _____
Model #: _____	

Line Chiller Stands

LCS-G, LCS-G2, LCS-S, LCS-S2



LCS-G

Standard Features

- All 16 gauge galvanized or stainless steel construction
- Pre-drilled mounting holes to fit Glastender line chiller models
- Adjustable feet on line chiller stands for leveling
- One line chiller stand fits all models of Glastender line chillers
- Includes bottom shelf for miscellaneous storage
- LCS-G2 and LCS-S2 models are 6" wider to accommodate a line chiller on both the top and bottom shelf

Product Details

LCS-G and LCS-G2

- All 16 gauge galvanized steel

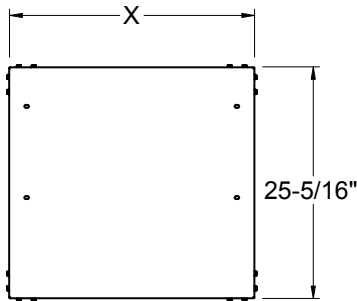
LCS-S and LCS-S2

- 16 and 18 gauge stainless steel

To view cleaning and care instructions, please visit:
https://www.glastender.com/PDF/F-423-011_ss_clean_care.pdf

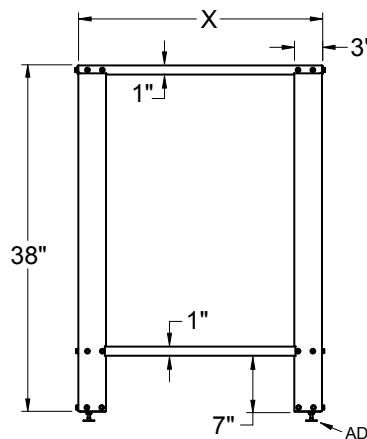
Dimensional Information

LCS-G, LCS-G2, LCS-S, & LCS-S2

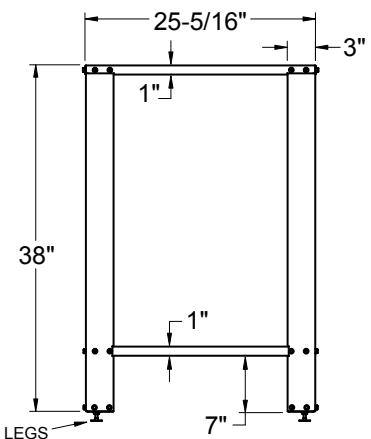


PLAN VIEW

MODEL	X = WIDTH
LCS-G, LCS-S	26-7/8"
LCS-G2, LCS-S2	32-7/8"



FRONT ELEVATION



SIDE ELEVATION

Glastender, Inc. • 5400 North Michigan Road • Saginaw, MI • 48604-9780 989.752.4275 • 800.748.0423 • Fax 989.752.4444 www.glastender.com	Approval/Notes:

Specifications subject to change without notice. For current specifications please visit our website.