

| | |
|--------------------------|------------|
| Project: _____ | AIA# _____ |
| Item #: _____ Qty: _____ | SIS# _____ |
| Model #: _____ | |

Low Profile Dry Storage Cabinet

| | |
|-------------|---|
| LPDS | LPDS24, LPDS40, LPDS48, LPDS60, LPDS72, LPDS80, LPDS96 |
|-------------|---|



LPDS24
with stainless steel door
and top

Configurable Options

- Door Style & Finish** (*specify per door section*):
- Black vinyl-clad
 - Stainless steel
 - Jeweled stainless
 - Laminated
 - Unlaminated
- Top Style:**
- No finished top
 - Stainless top
- Left and Right Side Finish:**
- Black vinyl-clad
 - Stainless steel
- Door Hinge Location:**
- Left or Right
- Door Handle:**
- Signature
 - Pull-tab
 - Tube



Intertek
4004503
Conforms to NSF/ANSI STD 2

Standard Features

- Locking door
- Galvanized steel interior
- One adjustable, coated-wire shelf
- Eco-friendly, foamed-in-place insulated sides and door (excluding 24" sides)
- Black vinyl-clad steel exterior front and sides
- LPDS24 includes 16 gauge galvanized shelves

To view underbar installation instructions, please visit: https://www.glastender.com/PDF/F-750-165_Underbar_Installation_Instructions.pdf
 To view cleaning and care instructions, please visit: https://www.glastender.com/PDF/F-423-011_ss_clean_care.pdf

| | |
|--|------------------------|
| <p>Glastender, Inc. • 5400 N Michigan Rd • Saginaw, MI • 48604-9780 989.752.4275 • 800.748.0423 • Fax 989.752.4444 www.glastender.com</p> | <p>Approval/Notes:</p> |
| <p><small>Specifications subject to change without notice. For current specifications please visit our website.</small></p> | |

Low Profile Dry Storage Cabinet

Specifications

| | | LPDS24 | LPDS40 | LPDS48 | LPDS60 | LPDS72 | LPDS80 | LPDS96 |
|-------------------------|--------------------|---|--------|--------|--------|--------|--------|--------|
| Dimensions | Length | 24" | 40" | 48" | 60" | 72" | 80" | 96" |
| | Number of Sections | 1 | 2 | 2 | 3 | 3 | 4 | 4 |
| | Door Opening | 21" | 16" | 20" | 16" | 20" | 16" | 20" |
| Weight Bearing Capacity | | Countertops and other accessories should not exceed 500 pounds per door | | | | | | |

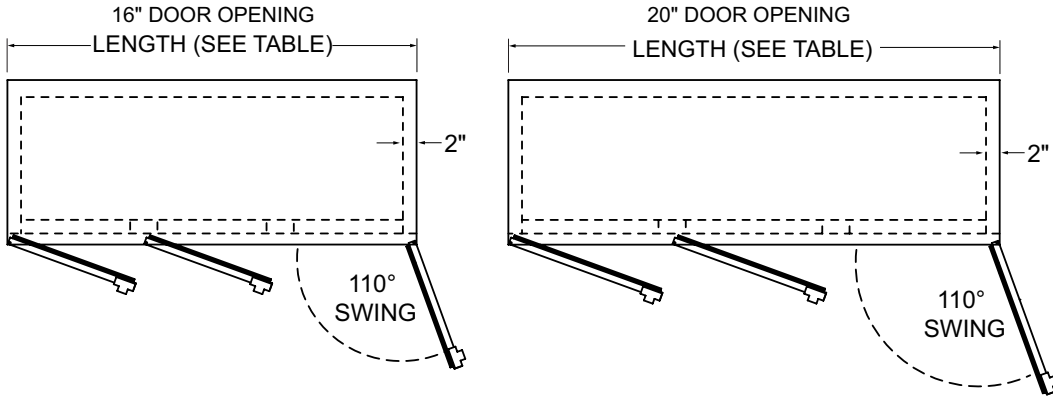
Materials

- Stainless steel parts include: exterior sub-top (LPDS24 excluded), interior, front of cabinet, hinges, hinge and lock brackets, and optional legs
- Black vinyl-clad steel parts include: standard sides, doors and compressor cover
- Galvanized steel parts: interior
- Zinc plated CR steel parts include: leg sockets

Low Profile Dry Storage Cabinet

Drawings

PLAN VIEW

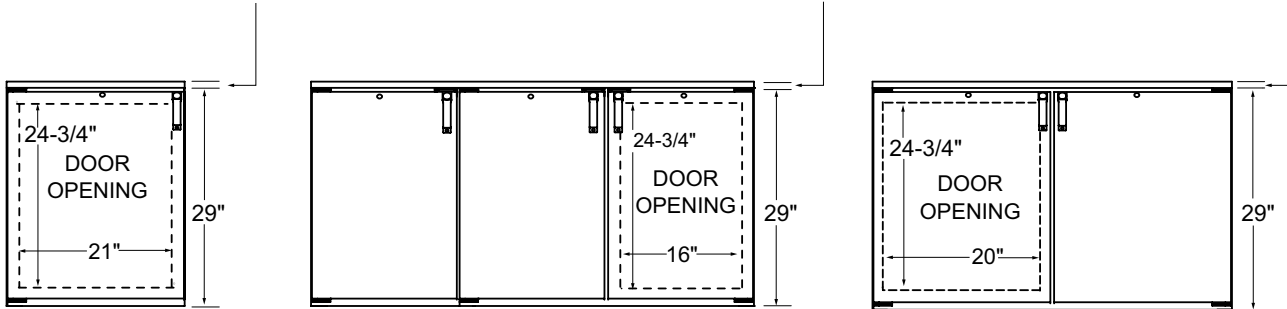


FRONT VIEW

ADD 1" TO HEIGHT FOR FACTORY INSTALLED TOP

ADD 1" TO HEIGHT FOR FACTORY INSTALLED TOP

ADD 1" TO HEIGHT FOR FACTORY INSTALLED TOP

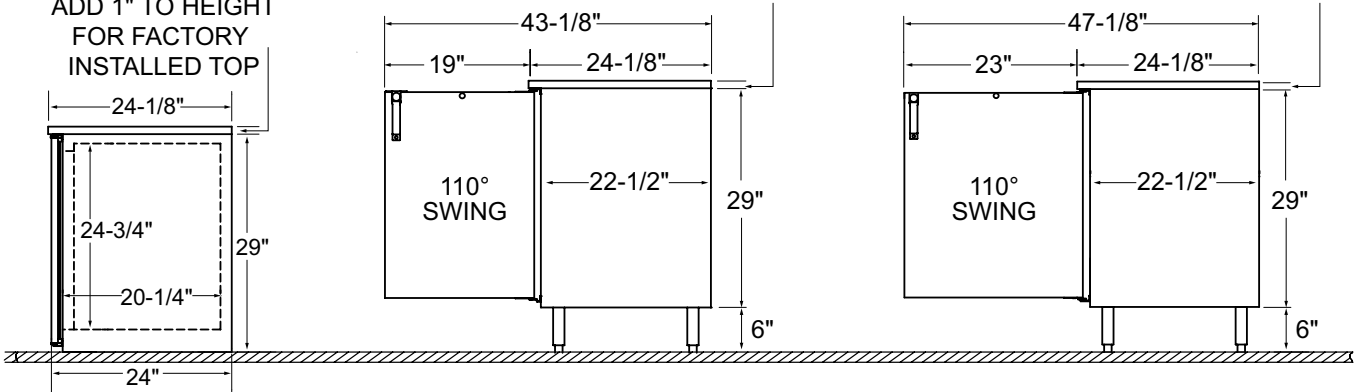


SIDE VIEWS

ADD 1" TO HEIGHT FOR FACTORY INSTALLED TOP

ADD 1" TO HEIGHT FOR FACTORY INSTALLED TOP

ADD 1" TO HEIGHT FOR FACTORY INSTALLED TOP



SHOWN WITH OPTIONAL 6" LEGS

OPTIONAL LEGS

