

Project: _____	AIA# _____
Item #: _____ Qty: _____	SIS# _____
Model #: _____	

Mug Frosters



MF48-S2



Intertek
EP 5016978
Energy Performance
Verified / Rendement
Énergétique Vérifié



Intertek



Intertek

4004503

Conforms to NSF/ANSI STD 7 and UL STD 471
Certified to CSA STD C22.2 No. 120

MF - - -

Size:
24 = 24" One Door
36 = 36" One Door
48 = 48" Two Door

Finish Options:
B = Black vinyl-clad steel
S = All stainless steel

Shelving Options:
(Units include bottom rack for chilling stacked plates. Leave this field blank to order bottom rack only.)
2 = Two layers (Includes two additional layers of shelves - recommended for chilling glassware.)

Standard Features

- Self-contained refrigeration
- All stainless steel interior with radius corners is easy to keep clean
- One-piece integral top and mullion design
- Easy to plan exterior dimensions: 24" front to back and 24", 36", or 48" left to right
- Two Defrost Cycles:
 1. Automatic - occurs every eight hours without affecting normal operation
 2. Manual - user initiated button for complete six-hour defrost with automatic restart
- Exterior available with black vinyl-clad steel front and sides and galvanized steel back, or stainless steel front, sides, and back
- Units come standard with bottom rack, which is recommended for chilling stacked plates. Two additional layers of shelves are optional, which is recommended for chilling glassware.
- Automatic condensate evaporator - no drain connection required
- Nine foot grounded cord & plug included (exits left rear)
- Optional 4-1/8", 2-7/8" casters or 6" legs are available

Specifications

Electrical

- 120V, 1 phase, 60 Hz, 6.0 full load amps
- Dedicated 15 amp circuit is recommended
- Includes a 9-foot NEMA 5-15P grounded cord and plug which exits the left rear of the refrigeration compartment



Refrigeration

- 1/3 HP, R290 refrigerant, 4.59 oz.
- 1,300 BTU/hr refrigeration capacity (0.11 tons)
- 2,455 BTU/hr heat rejection
- Operating range: 12°F (-11°C) to 35°F (2°C)
- Fin & tube evaporator with forced air circulation
- Equipped with manual fast freeze mode that accelerates the freezing process and automatically reverts back to the normal operating mode

Plumbing

- Interior floor drain and condensate drain to automatic evaporator. No drain connection required

Legs

- Optional 6" legs, specify accessory #MLFS
- 1-5/8" diameter
- Stainless steel bullet feet

Capacity (Based on 3-1/2" diameter by 5-7/8" high pint glasses)

- 24" Model: 55 pint glass total capacity; 25 bottom shelf, 15 middle shelf, 15 top shelf
- 36" Model: 87 pint glass total capacity; 25 bottom shelf, 31 middle shelf, 31 top shelf
- 48" Model: 147 pint glass total capacity; 45 bottom shelf, 51 middle shelf, 51 top shelf

Materials

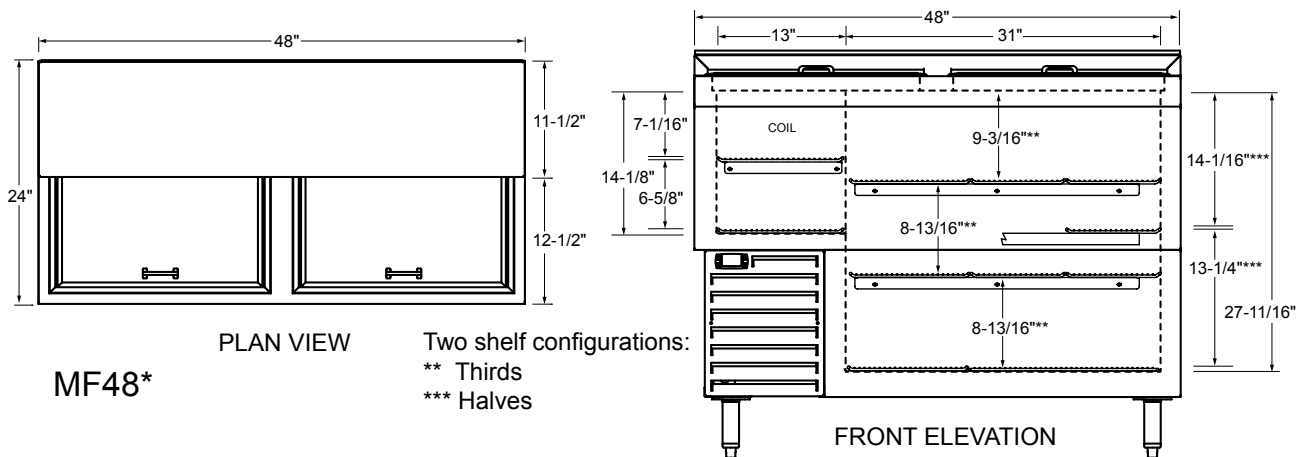
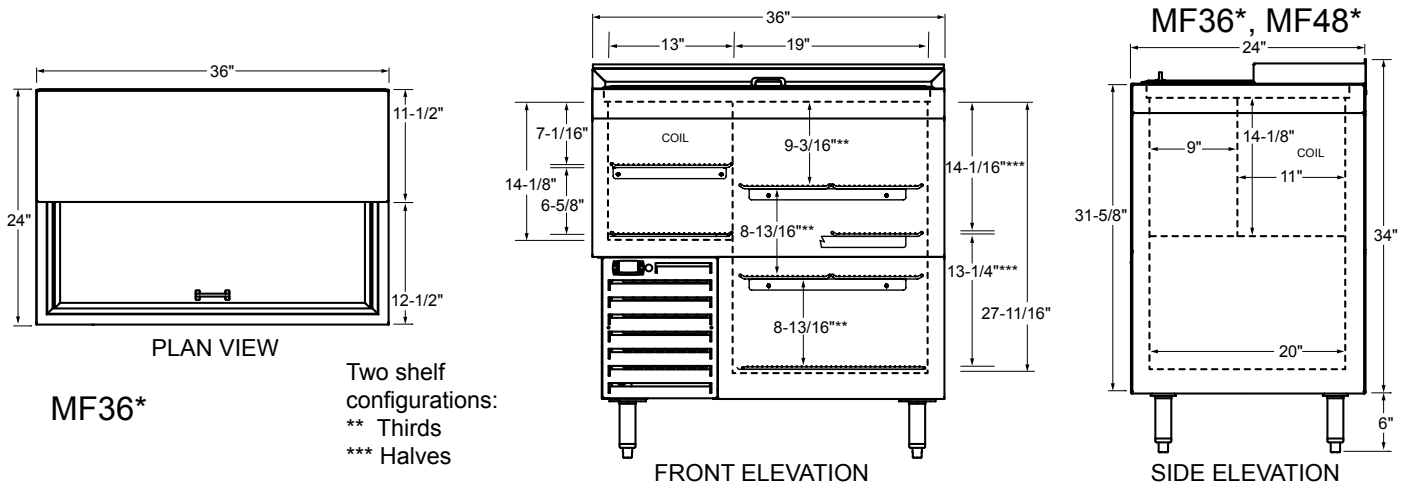
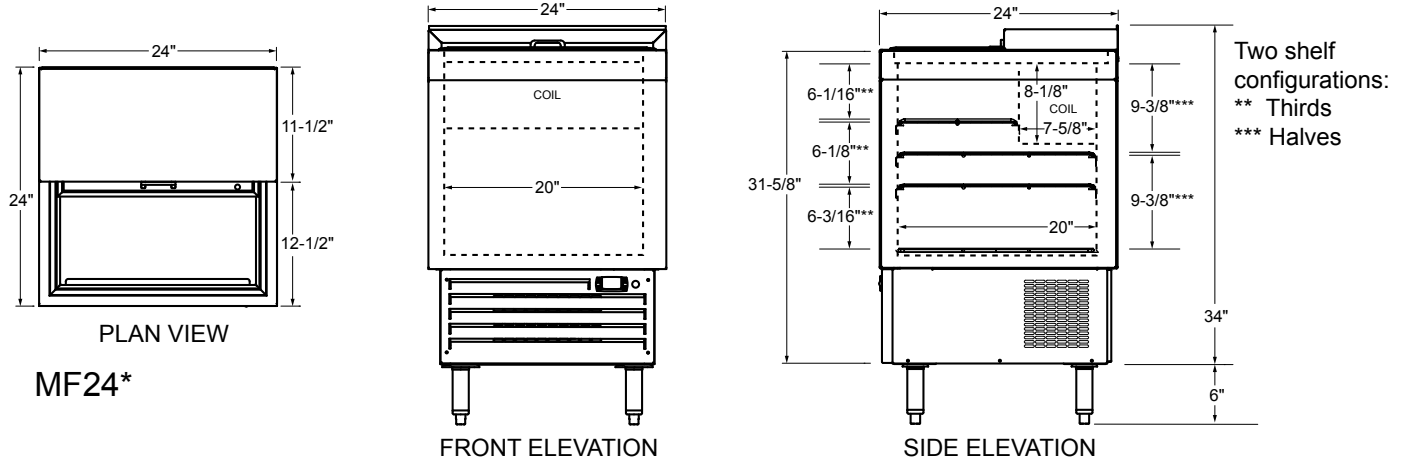
- Stainless steel parts include: top, door, interior and optional legs. Also, front, sides and back on '-S' models
- Black vinyl-clad steel parts include: front and sides on '-B' models
- Galvanized steel parts include: base on all models and exterior back on '-B' models

<p>Glastender, Inc. • 5400 N Michigan Rd • Saginaw, MI • 48604-9780 989.752.4275 • 800.748.0423 • Fax 989.752.4444 www.glastender.com</p>	Approval/Notes:
----------------------------------------------------------------------------------------------------------------------------------------------------------	-----------------

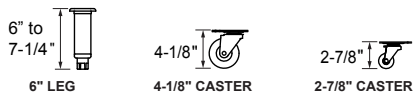
Specifications subject to change without notice. For current specifications please visit our website.

Mug Frosters

Dimensional Information



OPTIONAL LEGS AND CASTERS



Note: Shelves are optional and are recommended for chilling glassware. All models shown with optional 6" legs.



5400 N Michigan Rd • Saginaw, MI • 48604-9780
 989.752.4275 • 800.748.0423 • Fax 989.752.4444
www.glastender.com

Printed in USA