

Project: _____	AIA# _____
Item #: _____ Qty: _____	SIS# _____
Model #: _____	

Mobile Ice Baths

MIB-36, MIB-36-H, MIB-36-ED
MIB-48, MIB-48-H, MIB-48-ED



MIB-36-H



Intertek
4004503
Conforms to NSF/ANSI STD 2

Standard Features

- Designed for iced product storage and merchandising, especially long neck bottled beer
- Eco friendly foamed-in-place insulated cabinet has zero impact on global warming or ozone depletion and PVC breaker strip around liner prevents exterior condensation
- Heavy duty construction with attractive black vinyl clad exterior that resists scratching
- Stainless steel top, liner, and perforated drain pan inserts with 1/4" radius interior corners for easy cleaning
- Built-in storage area below ice bin. Stainless steel floor has 1/4" radius corners for easy cleaning
- Flexible drain line with on/off valve for draining when most convenient; no plumbing required
- MIB-36 and MIB-48 have a 30-3/8" work height
- MIB-36-H and MIB-48-H have a 36-3/8" work height
- MIB-36-ED and MIB-48-ED have an extra deep bath and a 36-3/8" work height

Accessories

- TR Towel ring
- BO/CC-M Bottle opener and cap catcher

Specifications

Drain

- 1" stainless steel welded tailpiece. Includes factory installed flexible drain line with on/off valve
- No plumbing required.

Casters

- Four 4-1/8" heavy duty rubberized casters
- The two server side casters are locking

Bottle Capacity

- MIB-36 and MIB-36-H hold 96 long neck beer bottles when placed upright with space around each bottle for ice
- MIB-48 and MIB-48-H hold 128 long neck beer bottles when placed upright with space around each bottle for ice
- Long neck beer bottle capacity on '-ED' models is at least as much as the standard and '-H' models, but may be more depending on bottle placement

Materials

- 20 gauge stainless steel parts include: top, interior liner, perforated inserts and cabinet floor
- 16 gauge galvanized steel parts include: base channels
- 22 gauge galvanized steel parts include: cabinet base interior sides
- 22 gauge black vinyl-clad steel parts include: exterior front, back and sides



Drain valve operation detail

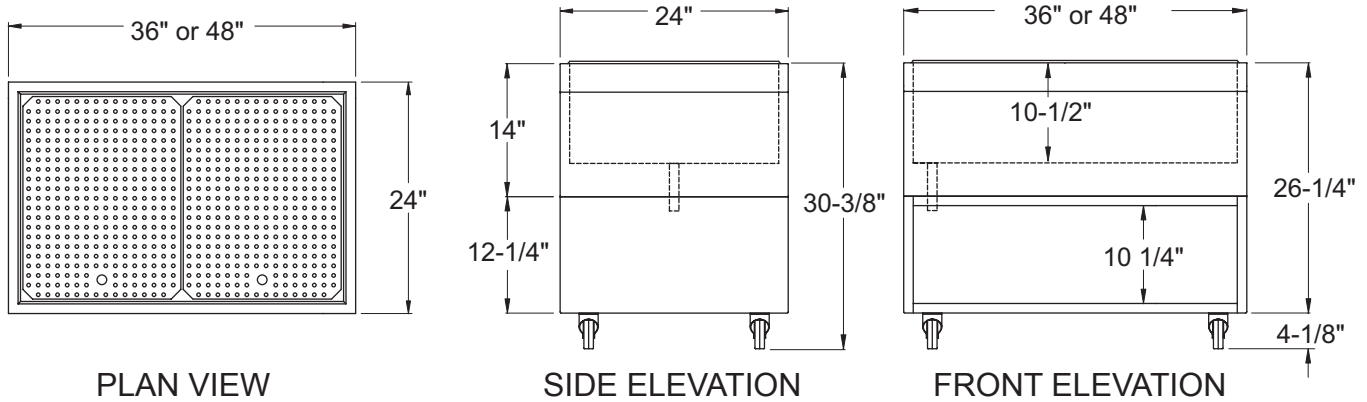
To view underbar installation instructions, please visit: https://www.glastender.com/PDF/F-750-165_Underbar_Installation_Instructions.pdf
To view cleaning and care instructions, please visit: https://www.glastender.com/PDF/F-423-011_ss_clean_care.pdf

Glastender, Inc. • 5400 N Michigan Rd • Saginaw, MI • 48604-9780 989.752.4275 • 800.748.0423 • Fax 989.752.4444 www.glastender.com	Approval/Notes:
---	-----------------

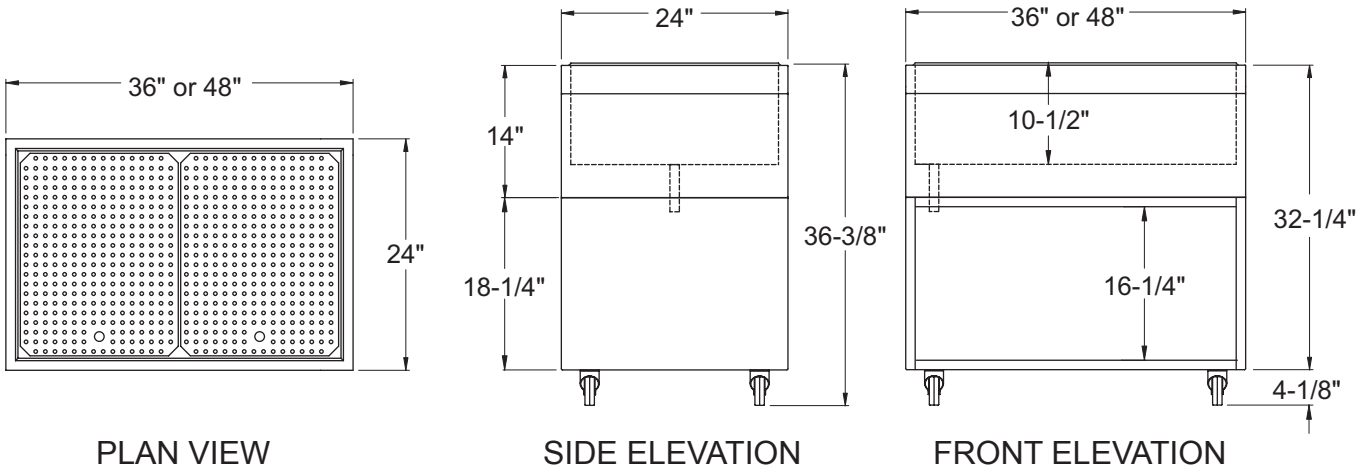
Specifications subject to change without notice. For current specifications please visit our website.

Dimensional Information

MIB-36 & MIB-48



MIB-36-H & MIB-48-H



MIB-36-ED & MIB-48-ED

