



MS20-SS(L)
with CLS-4 leg set accessory



Intertek
4004503

Conforms to NSF/ANSI STD 2

Project: _____	AIA# _____
Item #: _____ Qty: _____	SIS# _____
Model #: _____	

Margarita Machine Stands

Standard Features

- Galvanized steel interior construction
- Eco friendly foamed-in-place insulation for extra sturdiness has zero impact on global warming or ozone depletion
- Black vinyl-clad steel exterior front and sides
- Stainless steel pull tab handle
- Leg sockets recessed into base
- 180° swinging door(s)
- Stainless steel top with 1" high back and side splashes and radius corners for easy cleaning

Specifications

Legs

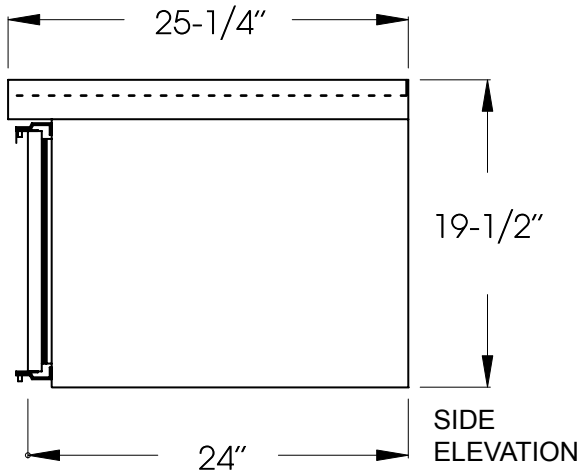
- 1-5/8" diameter, 16 gauge stainless steel
- Stainless steel bullet feet
- Ordered separately. Specify accessory model number CLS-4

Materials

- 20 gauge stainless steel parts include: top and optional door(s)
- 22 gauge galvanized steel parts include: interior floor, walls, ceiling, front of cabinet, and exterior sub-top
- 22 gauge black vinyl-clad parts include: sides and standard door(s)
- 16 gauge stainless steel parts include: legs
- 16 gauge galvanized steel parts include: base
- 16 gauge zinc plated CR steel parts include: leg sockets
- 12 gauge stainless steel parts include: hinges and hinge brackets

To view underbar installation instructions, please visit: https://www.glastender.com/PDF/F-750-165_Underbar_Installation_Instructions.pdf
To view cleaning and care instructions, please visit: https://www.glastender.com/PDF/F-423-011_ss_clean_care.pdf

Dimensional Information



Model Number	Overall Length	Door Finish	Number of Doors
MS20-BS(L)† or (R)†	20"	Black	1
MS20-SS(L)† or (R)†	20"	Stainless	1
MS24-BS(L)† or (R)†	24"	Black	1
MS24-SS(L)† or (R)†	24"	Stainless	1
† Indicates (L) Left or (R) Right door hinge			
MS44-BS(LR)	44"	Black	2
MS44-SS(LR)	44"	Stainless	2
MS48-BS(LR)	48"	Black	2
MS48-SS(LR)	48"	Stainless	2

<p>Glastender, Inc. • 5400 N Michigan Rd • Saginaw, MI • 48604-9780 989.752.4275 • 800.748.0423 • Fax 989.752.4444 www.glastender.com</p>	Approval/Notes:
Specifications subject to change without notice. For current specifications please visit our website.	