

MT-6-MF

NOTE: Faucet handles not included.

### Optional Rinser Faucet

#### Installation Notes

- Important: Unit must be installed in conformance with applicable federal, state, and local plumbing codes, including adequate backflow when required.
- Must install backflow prevention device conforming to ANSI/ASSE 1022 or ANSI/ASSE 1024 to meet plumbing code (not included).
- Install in-line water regulator (included).
- A separate shut-off valve is recommended (not included).
- Rinser faucets are not intended for use with towers mounted to a refrigerator due to risk of water line freeze up.

03012383  
Rinser Faucet Assembly



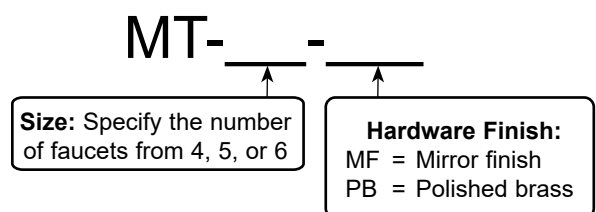
**Intertek**  
4004503  
Conforms to NSF/ANSI STD 372



Optional Rinser Faucet Extension

Project: _____	AIA# _____
Item #: _____ Qty: _____	SIS# _____
Model #: _____	

# Mushroom Towers



### Standard Features

- 1/4" stainless steel shanks with 3/16" restriction lines
- All stainless steel mirror finish faucets
- Available in mirror finish or polished brass\* (\*NOTE: Polished brass towers provided with mirror finish drain pan and polished brass perforated insert)
- Surface-mount, stainless steel drain pan with removable, perforated insert

### Configurable Options

- 4, 5, or 6 faucets
- Mirror or polished brass finish
- Air cooled for direct-draw system or glycol cooled for recirculating system
- Rinser faucet extension to the left or right of the drain pan; specify RFE option

### Specifications

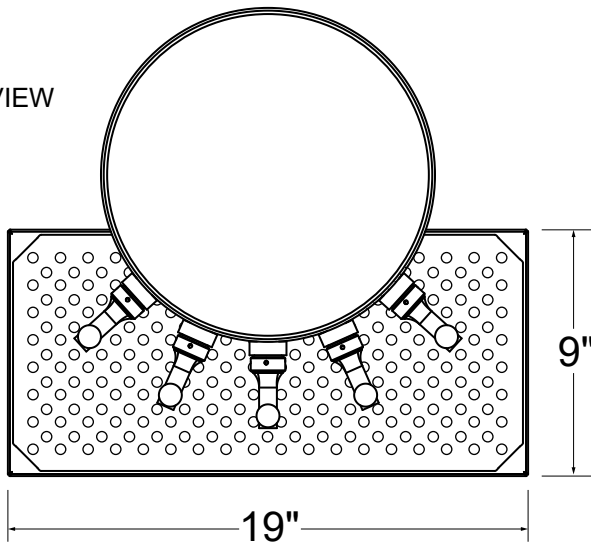
- Materials**
- Miscellaneous stainless steel and brass parts in dispensing tower
  - 20 gauge stainless steel parts include drain pan and perforated inserts
- Shank Sizes**
- 1/4" I.D. with 3/16" fitting
- Drains**
- 1/2" tailpiece on drain pan
- Rinser Faucet (optional)**
- Accepts 3/8" cold water lead
  - 30 psi water pressure regulator included
  - 1.2 gallons per minute

<p><b>Glastender, Inc.</b> • 5400 N Michigan Rd • Saginaw, MI • 48604-9780          989.752.4275 • 800.748.0423 • Fax 989.752.4444  <a href="http://www.glastender.com">www.glastender.com</a></p>	<p>Approval/Notes:</p>
<p><small>Specifications subject to change without notice. For current specifications please visit our website.</small></p>	

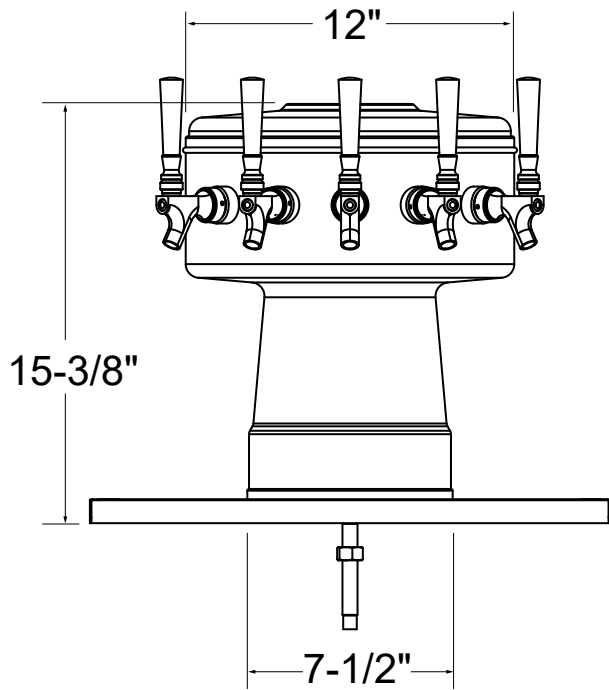
# Mushroom Towers

## Drawings

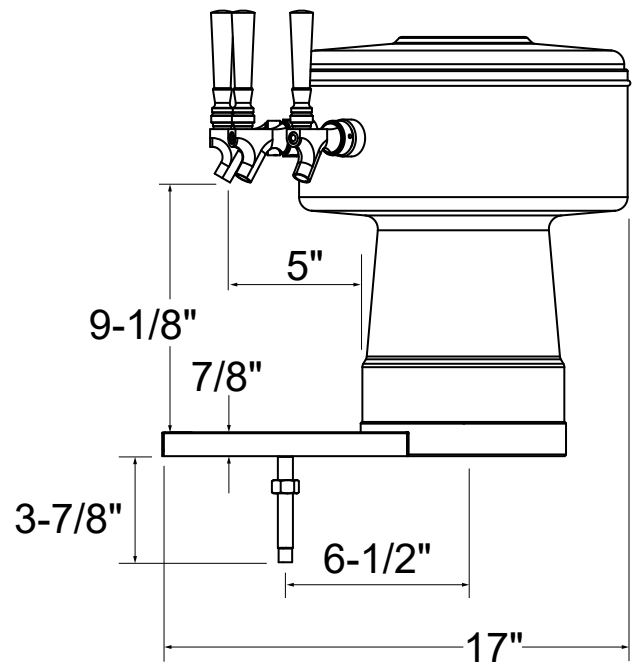
PLAN VIEW



MT-5-MF SHOWN



FRONT ELEVATION



SIDE ELEVATION