

Project: _____	AIA# _____
Item #: _____ Qty: _____	SIS# _____
Model #: _____	

Roman Towers



RBT-3-MF

NOTE: Faucet handles not included.

Optional Rinser Faucet

Installation Notes

- Important: Unit must be installed in conformance with applicable federal, state, and local plumbing codes, including adequate backflow when required.
- Must install backflow prevention device conforming to ANSI/ASSE 1022 or ANSI/ASSE 1024 to meet plumbing code (not included).
- Install in-line water regulator (included).
- A separate shut-off valve is recommended (not included).
- Rinser faucets are not intended for use with towers mounted to a refrigerator due to risk of water line freeze up.

03012383
Rinser Faucet Assembly



Intertek
4004503
Conforms to NSF/ANSI STD 372



Optional Rinser Faucet Extension

RBT- -

Size: Specify the number of faucets from 2, 3, or 4

Hardware Finish:
MF = Mirror finish
PB = Polished brass

Standard Features

- 1/4" stainless steel shanks with 3/16" restriction lines
- All stainless steel mirror finish faucets
- Available in mirror finish or polished brass* (*NOTE: Polished brass towers provided with mirror finish drain pan and polished brass perforated insert)
- Surface-mount, stainless steel drain pan with removable, perforated insert

Configurable Options

- 2, 3, or 4 faucets
- Mirror or polished brass finish
- Air cooled for direct-draw system or glycol cooled for recirculating system
- Numerous ceramic color finishes; consult factory for details
- Rinser faucet extension to the left or right of the drain pan; specify RFE option

Specifications

Materials

- Miscellaneous ceramic, stainless steel, and brass parts in dispensing tower
- 20 gauge stainless steel parts include drain pan and perforated inserts

Shank Sizes

- 1/4" I.D. with 3/16" fitting

Drains

- 1/2" tailpiece on drain pan

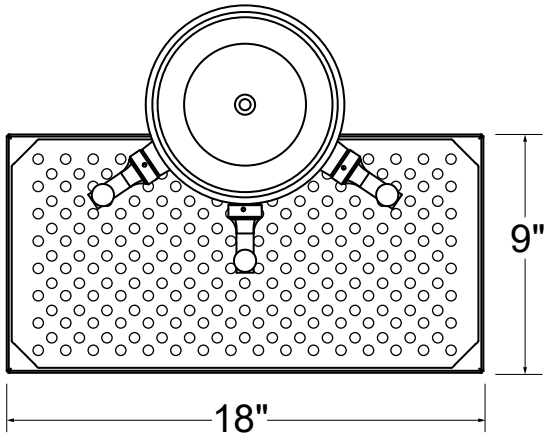
Rinser Faucet (optional)

- Accepts 3/8" cold water lead
- 30 psi water pressure regulator included
- 1.2 gallons per minute

Glastender, Inc. • 5400 N Michigan Rd • Saginaw, MI • 48604-9780 989.752.4275 • 800.748.0423 • Fax 989.752.4444 www.glastender.com	Approval/Notes:
<small>Specifications subject to change without notice. For current specifications please visit our website.</small>	

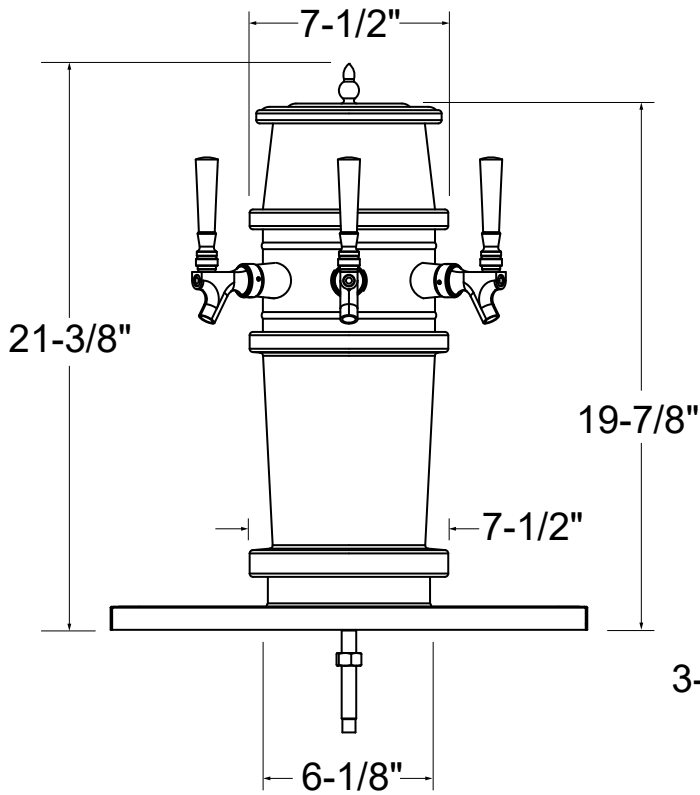
Roman Towers

Drawings

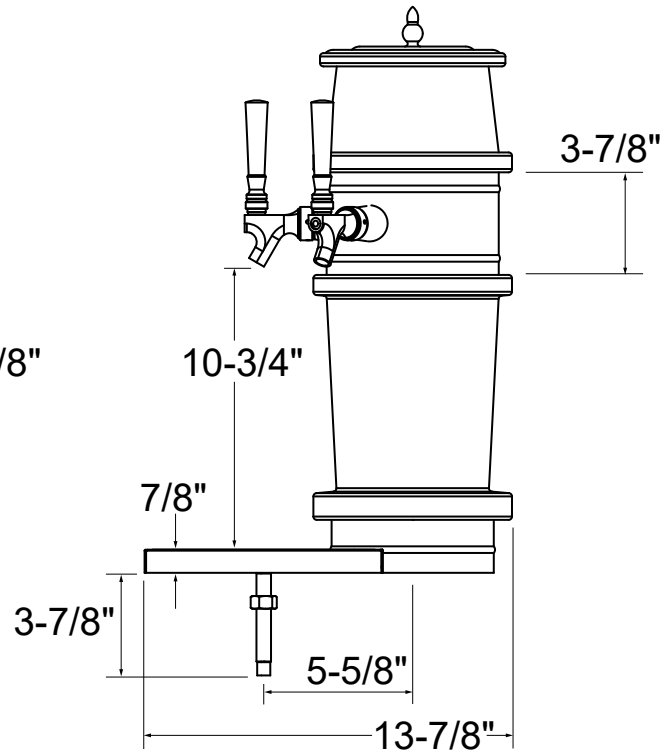


RBT-3-MF SHOWN

PLAN VIEW



FRONT ELEVATION



SIDE ELEVATION