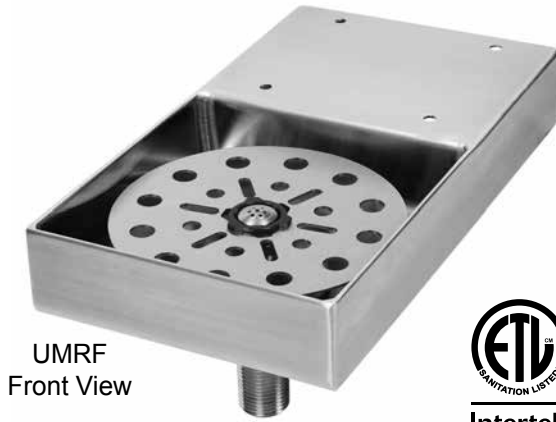


Project: _____	AIA# _____
Item #: _____ Qty: _____	SIS# _____
Model #: _____	

Undercounter Mount Rinser Faucet

UMRF



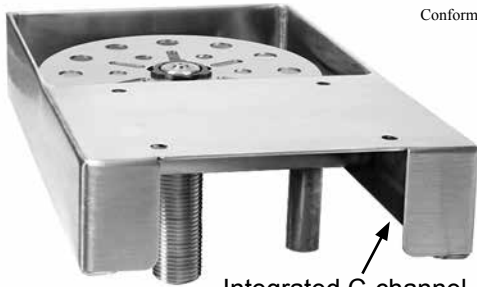
UMRF
Front View



Intertek

4004503

Conforms to ANSI/NSF STD 2



UMRF
Back View

Integrated C-channel
Stiffener



03012383
Rinser Faucet
Assembly



Intertek

4004503

Conforms to NSF/ANSI STD 372

Standard Features

- All 18 gauge stainless steel construction
- Pan includes radius interior corners for easy cleaning
- Total welded construction with integrated C-channel sides for incredible rigidity
- Installation kit for plumbing 1/2" tailpiece drain - includes 10' of vinyl drain tube, (3) ty wraps, (1) elbow, (1) elbow to drain-line adaptor, (4) #10 x 1/2 screws
- Rear deck area with pre-punched screw holes for mounting to underside of bar top

Specifications

Drain

- 1/2" tailpiece

Materials

- 18 gauge stainless steel

Faucet

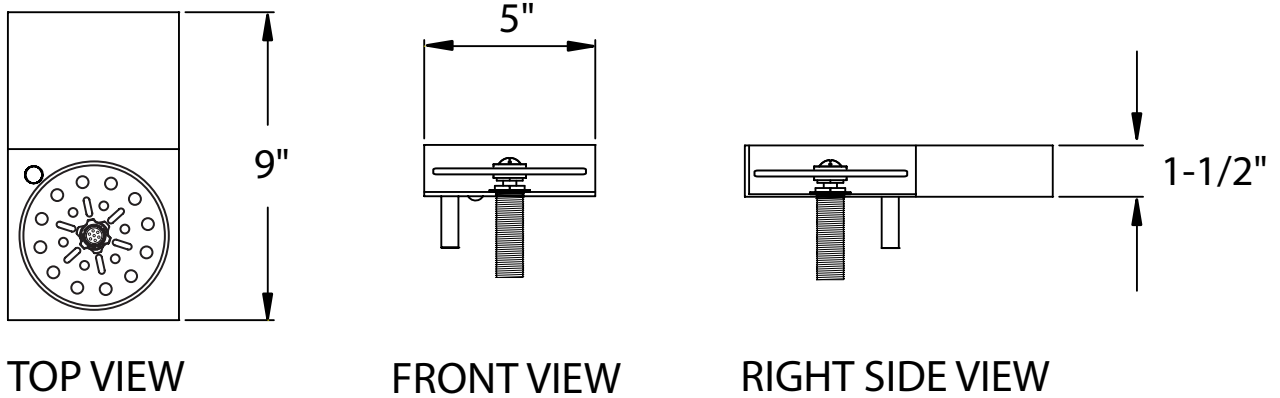
- Accepts 3/8" cold water lead
- 30 psi water pressure regulator included
- 1.2 gallons per minute
- NSF/ANSI 372 listed for low lead compliance

Installation Notes

- Important: Unit must be installed in conformance with applicable federal, state, and local plumbing codes, including adequate backflow when required.
- Must install backflow prevention device conforming to ANSI/ASSE 1022 or ANSI/ASSE 1024 to meet plumbing code (not included).
- Install in-line water regulator (included).
- A separate shut-off valve is recommended (not included).

To view cleaning and care instructions, please visit:
https://www.glastender.com/PDF/F-423-011_ss_clean_care.pdf

Dimensional Information



TOP VIEW

FRONT VIEW

RIGHT SIDE VIEW

<p>Glastender, Inc. • 5400 N Michigan Rd • Saginaw, MI • 48604-9780 989.752.4275 • 800.748.0423 • Fax 989.752.4444 www.glastender.com</p>	<p>Approval/Notes:</p>
--	------------------------

Specifications subject to change without notice. For current specifications please visit our website.