

Project: _____	AIA# _____
Item #: _____ Qty: _____	SIS# _____
Model #: _____	

## Wall Cabinets



WCH48

### Standard Features

- Includes intermediate shelf
- Includes wall mounting bracket
- Available with open front or with hinged doors
- Door models include door locks and positive latch catch
- Door models 24" - 48" = 2 doors, 60" - 96" = 4 doors
- Sloping top to create sanitary surface

### Materials

- All 18 gauge stainless steel construction
- Stainless steel hinges and handles

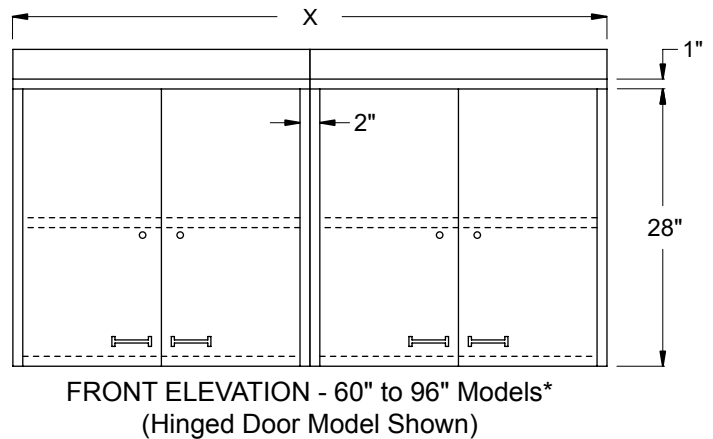
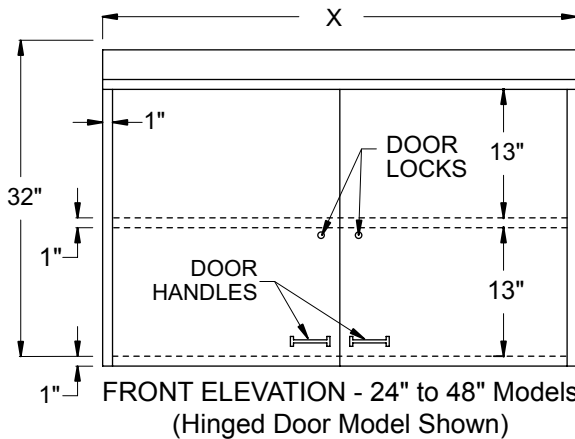
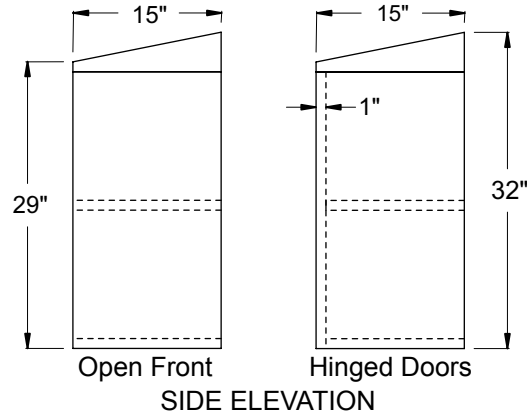


**Intertek**  
 4004503  
 Conforms to  
 NSF/ANSI STD 2

To view cleaning and care instructions, please visit: [https://www.glastender.com/PDF/F-423-011\\_ss\\_clean\\_care.pdf](https://www.glastender.com/PDF/F-423-011_ss_clean_care.pdf)

### Dimensional Information

X	Open Front	Hinged Doors
24"	WCO24	WCH24
30"	WCO30	WCH30
36"	WCO36	WCH36
42"	WCO42	WCH42
48"	WCO48	WCH48
60"	WCO60	WCH60
72"	WCO72	WCH72
96"	WCO96	WCH96



\*NOTE: Four door models ship as two units and include hardware for field assembly.

<b>Glastender, Inc.</b> • 5400 N Michigan Rd • Saginaw, MI • 48604-9780 989.752.4275 • 800.748.0423 • Fax 989.752.4444 <a href="http://www.glastender.com">www.glastender.com</a>	Approval/Notes:
Specifications subject to change without notice. For current specifications please visit our website.	