



A family company manufacturing in the USA

www.glastender.com

Project: _____	AIA# _____
Item #: _____ Qty: _____	SIS# _____
Model #: _____	

# Wall-Mount Hand Sinks

WH-12, WHS-12, WH-14, WHS-14

## Standard Features

- Manufactured with total welded construction to meet all NSF® standards
- All stainless steel construction
- 9-1/4" by 11-1/2" by 6" deep sink bowl
- Includes wall mounting bracket
- Includes 1-1/2" IPS drain fitting
- Heavy-duty faucet is standard (available less faucet by adding the suffix '-LF' to the model number)
- Left and right side splashes available as an accessory
- Models WH-12 and WHS-12 include a special backsplash faucet mounting bracket for easy removal and inspection of faucet after installation
- A lift-out perforated plastic wet waste strainer is available as an accessory. Specify part number 03000483.
- Models WH-12 and WHS-12 are available with a foot-operated faucet. Specify accessory number FOF-B.



WH-12



WH-14



WHS-12



WHS-14

All faucets are NSF/ANSI 61, Annex G low lead compliant



FOF-B  
• WH-12  
• WHS-12



**Intertek**  
4004503

Conforms to NSF/ANSI STD 2

Optional foot-operated faucet

## Specifications

### Drains

- 1-1/2" I.P.S. Threaded drain will fit Dearborn part #8033 slipnut and part #W-573P washer.

### Faucet

- Model WH-14 and WHS-14: Deck mount on 4" centers, accepts 3/8" sink leads, hot and cold water connections required
- Model WH-12 and WHS-12: Backsplash mounted on 4" centers, accepts 3/8" sink leads, hot and cold water connections required
- Optional foot-operated faucet on WH-12 and WHS-12: single hole, (2) 1/2" NPT female inlets and (1) 1/2" NPT female outlet
- NSF/ANSI 61, 372 low lead compliant

### Sink Bowl Dimensions

- 9-1/4" by 11-1/2" by 6" deep

### Materials

- 20 gauge stainless steel parts include: all components unless otherwise noted
- 18 gauge stainless steel parts include: wall mounting bracket

To view cleaning and care instructions, please visit:

[https://www.glastender.com/PDF/F-423-011\\_ss\\_clean\\_care.pdf](https://www.glastender.com/PDF/F-423-011_ss_clean_care.pdf)

**⚠ WARNING:** The plastic wet waste strainer accessory can expose you to chemicals including Bisphenol A (BPA), which is known to the State of California to cause birth defects or other reproductive harm. For more information, go to [www.P65Warnings.ca.gov](http://www.P65Warnings.ca.gov). **Warning applies to State of California only.** Part #03000483

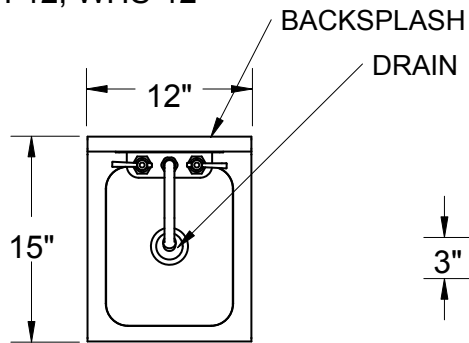
<b>Glastender, Inc.</b> • 5400 N Michigan Rd • Saginaw, MI • 48604-9780 989.752.4275 • 800.748.0423 • Fax 989.752.4444 www.glastender.com	Approval/Notes:
---	-----------------

Specifications subject to change without notice. For current specifications please visit our website.

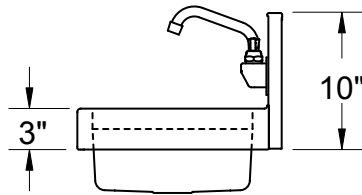
# Wall-Mount Hand Sinks

## Dimensional Information

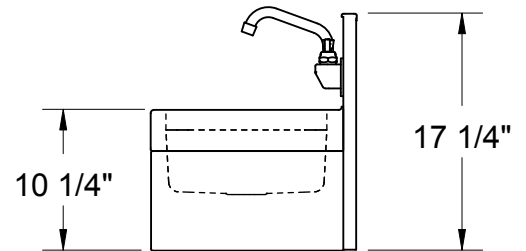
WH-12, WHS-12



PLAN VIEW

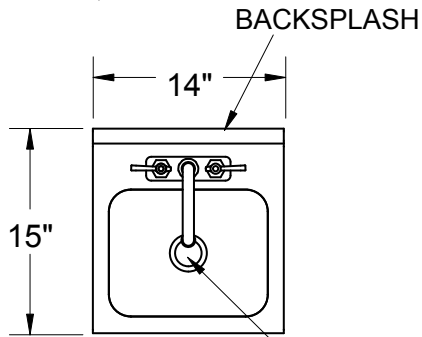


WH-12  
SIDE VIEW

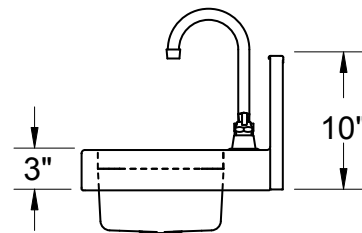


WHS-12  
SIDE VIEW

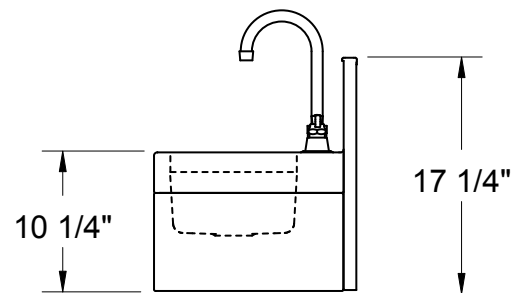
WH-14, WHS-14



PLAN VIEW

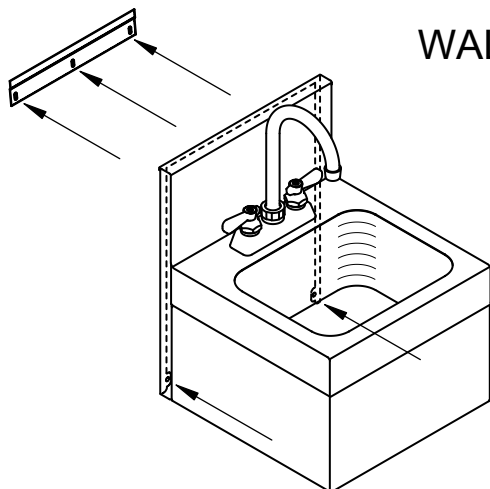


WH-14  
SIDE VIEW



WHS-14  
SIDE VIEW

## WALL MOUNTING INSTRUCTIONS



1. Secure bracket to wall.
2. Hang sink on bracket.
3. Screw sink to wall through bracket on bottom back of sink.