

Project: _____	AIA# _____
Item #: _____ Qty: _____	SIS# _____
Model #: _____	

## Wall-Mount Hand Sinks w/Integral Side Splashes

WH-14-S, WHS-14-S



WHS-14-S

### Standard Features

- All stainless steel
- One-piece seamless top and backsplash featuring 1/4" radius corners
- Drawn sink bowl
- Heavy-duty, hot and cold water faucet
- Integral left and right side splashes, featuring radius work surface corners and a front lip
- Wall-mounting bracket

### Configurable Options

- Foot-operated faucet; specify option FOF-D
- Side splashes; specify option LS15 (left) and/or RS15 (right)

### Accessories

03000483 Lift-out perforated plastic wet waste strainer



**Intertek**  
4004503

Conforms to NSF/ANSI STD 2

WH-14-S Certified to CSA STD B45.4



FOF-D  
Foot-operated  
faucet

### Specifications

#### Drains

- 1-1/2" I.P.S. threaded drain will fit Dearborn part #8033 slipnut and part #W-573P washer

#### Faucet

- Deck mount on 4" centers, accepts 3/8" sink leads, hot and cold water connections required
- Optional foot-operated faucet: single hole, (2) 1/2" NPT female inlets and (1) 1/2" NPT female outlet
- NSF/ANSI 61, 372 low lead compliant

#### Sink Bowl Dimensions

- 9-1/4" by 11-1/2" by 6" deep

#### Materials

- 20 gauge stainless steel parts include: all components unless otherwise noted
- 18 gauge stainless steel parts include: wall-mounting bracket

To view cleaning and care instructions, please visit:  
[https://www.glastender.com/PDF/F-423-011\\_ss\\_clean\\_care.pdf](https://www.glastender.com/PDF/F-423-011_ss_clean_care.pdf)



Model WHS-14-S featuring integral side splashes, radius work surface corners for easy cleaning and a front lip to contain splashes



**⚠ WARNING:** The plastic wet waste strainer accessory can expose you to chemicals including Bisphenol A (BPA), which is known to the State of California to cause birth defects or other reproductive harm. For more information, go to [www.P65Warnings.ca.gov](http://www.P65Warnings.ca.gov). **Warning applies to State of California only.** Part #03000483

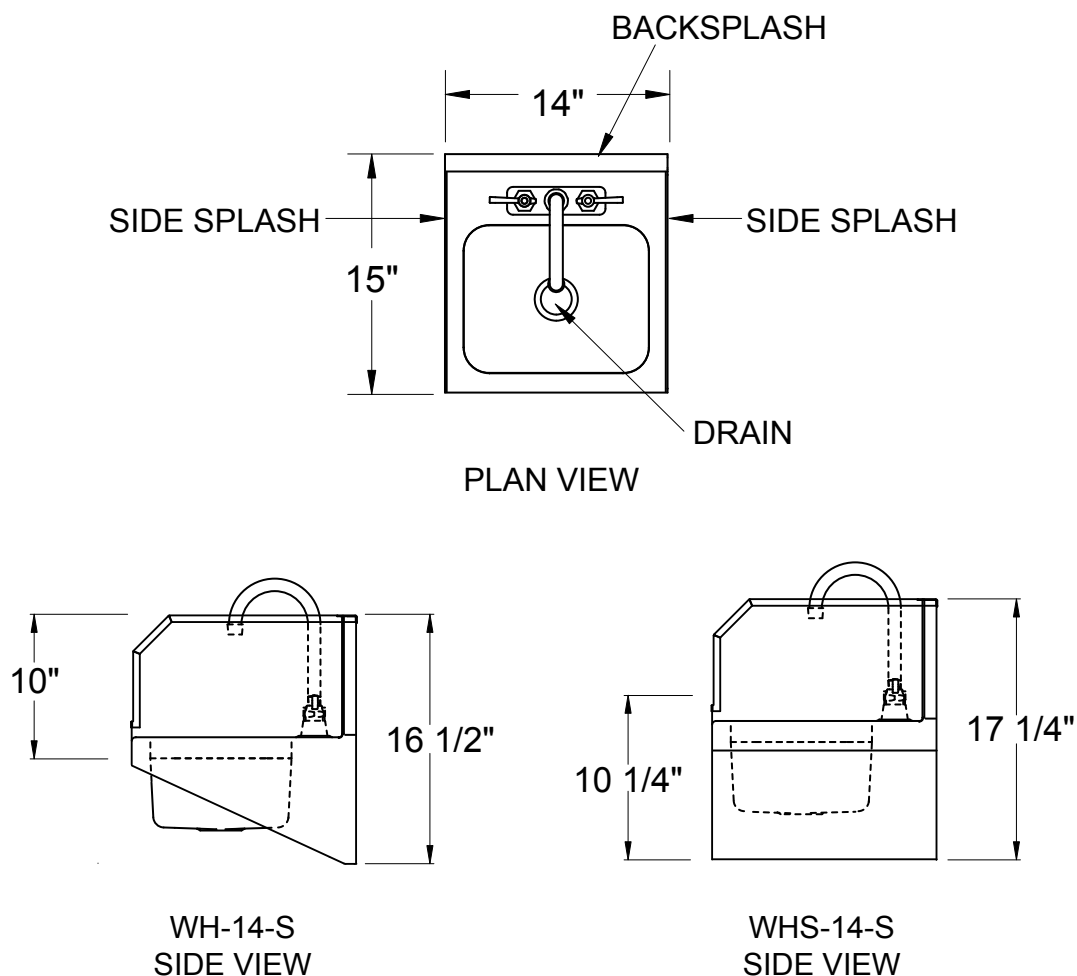
Glastender, Inc. • 5400 N Michigan Rd • Saginaw, MI • 48604-9780  
 989.752.4275 • 800.748.0423 • Fax 989.752.4444  
[www.glastender.com](http://www.glastender.com)

Approval/Notes:

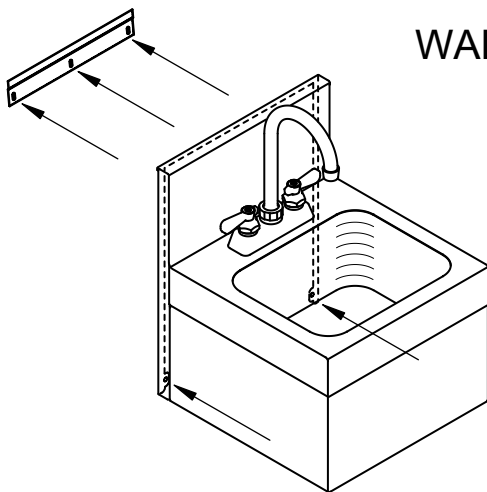
Specifications subject to change without notice. For current specifications please visit our website.

# Wall-Mount Hand Sinks with Integral Side Splashes

## Dimensional Information



## WALL MOUNTING INSTRUCTIONS



1. Secure bracket to wall.
2. Hang sink on bracket.
3. Screw sink to wall through bracket on bottom back of sink.