



ZT-5-PB-B

NOTE: Faucet handles not included.

Optional Rinser Faucet

Installation Notes

- Important: Unit must be installed in conformance with applicable federal, state, and local plumbing codes, including adequate backflow when required.
- Must install backflow prevention device conforming to ANSI/ASSE 1022 or ANSI/ASSE 1024 to meet plumbing code (not included).
- Install in-line water regulator (included).
- A separate shut-off valve is recommended (not included).
- Rinser faucets are not intended for use with towers mounted to a refrigerator due to risk of water line freeze up.



Intertek

4004503
 Conforms to NSF/ANSI STD 372



Optional Rinser Faucet Extension

Project: _____	AIA# _____
Item #: _____ Qty: _____	SIS# _____
Model #: _____	

Zeus Towers

ZT- _ - _ - _

<p>Size: Specify the number of faucets from 3, 4, or 5</p>	<p>Hardware Finish: MF = Mirror finish PB = Polished brass</p>	<p>Base Color: B = Black W = White G = Green</p>
---	---	--

Standard Features

- 1/4" stainless steel shanks with 3/16" restriction lines
- All stainless steel mirror finish faucets
- Available in mirror finish or polished brass* (*NOTE: Polished brass towers provided with mirror finish drain pan and polished brass perforated insert)
- Surface-mount, stainless steel drain pan with removable, perforated insert

Configurable Options

- 3, 4, or 5 faucets
- Mirror or polished brass finish
- Air cooled for direct-draw system or glycol cooled for recirculating system
- Black, white, or green ceramic base color finish
- Rinser faucet extension to the left or right of the drain pan; specify RFE option

Specifications

Materials

- Miscellaneous ceramic, stainless steel, and brass parts in dispensing tower
- 20 gauge stainless steel parts include drain pan and perforated inserts

Shank Sizes

- 1/4" I.D. with 3/16" fitting

Drains

- 1/2" tailpiece on drain pan

Rinser Faucet (optional)

- Accepts 3/8" cold water lead
- 30 psi water pressure regulator included
- 1.2 gallons per minute

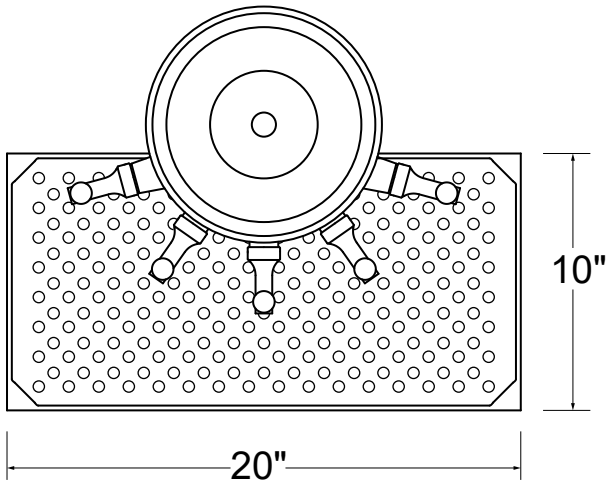
Glastender, Inc. • 5400 N Michigan Rd • Saginaw, MI • 48604-9780
 989.752.4275 • 800.748.0423 • Fax 989.752.4444
www.glastender.com

Approval/Notes: _____

Specifications subject to change without notice. For current specifications please visit our website.

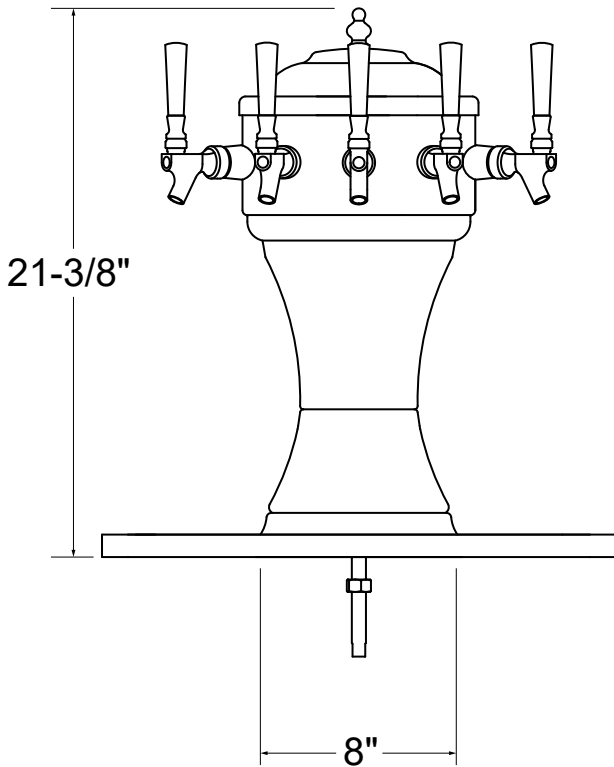
Zeus Towers

Drawings

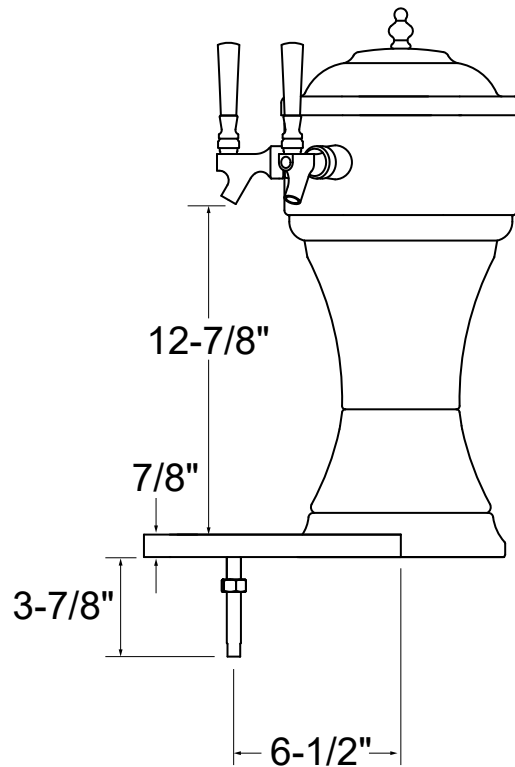


PLAN VIEW

ZT-5-MF-B SHOWN



FRONT ELEVATION



SIDE ELEVATION