



GLOBE FOOD EQUIPMENT COMPANY

Medium Duty Electric Countertop Griddles

GEG24 / GEG36 / GEG48

Project \_\_\_\_\_

Item # \_\_\_\_\_

Quantity \_\_\_\_\_



**GEG24**



# Medium Duty Electric Countertop Griddles

*Globe Countertop Equipment*

### Models

- GEG24 - 24" Electric Countertop Griddle
- GEG36 - 36" Electric Countertop Griddle
- GEG48 - 48" Electric Countertop Griddle



### Standard Features

- Available in 3 widths, each with 16.5" depth
- Highly-polished griddle plate fully welded to stainless steel frame, 1/2" plate thickness
- Stainless steel cool-to-touch front edge
- One (150°F – 480°F) thermostat, thermostatic controller and heat element every 12"
- Spatula wide grease trough
- Seamlessly welded 3½" splash guard
- Removable, easy-to-clean, stainless steel catch tray (4½ cup capacity)
- 3-1/2" stainless steel adjustable feet
- 208/240V, hard wire

### Warranty

- One-year parts and labor

Approved By: \_\_\_\_\_

Date: \_\_\_\_\_



**GLOBE FOOD EQUIPMENT COMPANY**

[www.globeslicers.com](http://www.globeslicers.com)

2153 Dryden Rd.  
 Dayton, OH 45439  
 Phone: 937-299-5493  
 Phone: 800-347-5423  
 Fax: 937-299-4147



### Specifications

**For Indoor Use Only**

Wire terminal connection - All are hard wire connections.

**Electrical:**

**GEG24:** 208-240V  
4200W/5600W  
(4.2/5.6 KW) 1P - 60HZ  
(Can be 3PH wired)

**GEG36:** 208-240V  
6300W/8400W  
(6.3/8.4 KW) 1P - 60HZ  
(Can be 3PH wired)

**GEG48:** 208-240V  
8400W/11200W  
(8.4/11.2 KW) 1P - 60HZ  
(Can be 3PH wired)

**Griddle Top Cooking Space:**

**GEG24:** griddle area 24" x 16.3"  
(61 cm x 42 cm)

**GEG36:** griddle area 36" x 16.3"  
(91 cm x 42 cm)

**GEG48:** griddle area 48" x 16.3"  
(122 cm x 42 cm)

**Thermostats:** The temperature is thermostatically controlled. Thermostat element is every 12".

**Consistent Heating:** Griddle will maintain a constant, selected temperature to ensure product consistency.

**Standard Equipment:** Standard equipment includes the electric griddle and easy-to-remove catch tray.

**Catch tray:** Stainless steel, continuously collects grease and crumbs while cooking on the griddle.

**GEG24 Dimensions:**  
Foot Print = 21.7" x 24"  
(55 cm x 61 cm)  
Overall Length = 21.7" (55 cm)  
Overall Width = 24" (61 cm)  
Overall Height = 12.9" (33 cm)

**GEG36 Dimensions:**  
Foot Print = 21.7" x 36"  
(55 cm x 91 cm)  
Overall Length = 21.7" (55 cm)  
Overall Width = 36" (91 cm)  
Overall Height = 12.9" (33 cm)

**GEG48 Dimensions:**  
Foot Print = 21.7" x 48"  
(55 cm x 122 cm)  
Overall Length = 21.7" (55 cm)  
Overall Width = 48" (122 cm)  
Overall Height = 12.9" (33 cm)

**SHIPPING:**

**GEG24 Shipping Information:**

Net Weight: 92 lbs (41.7 kg)  
Shipping Weight: 121 lbs. (55 kg)  
Dimensions: 26.4" W x 24.5" D x 17" H  
(67 cm x 62 cm x 43 cm)

**GEG36 Shipping Information:**

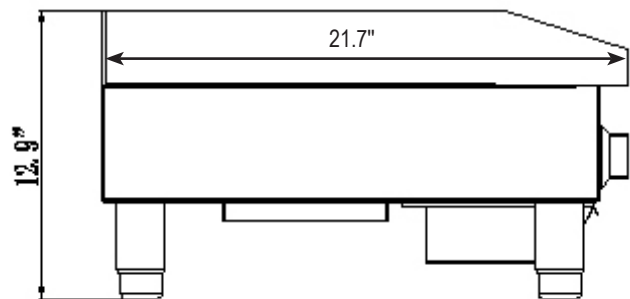
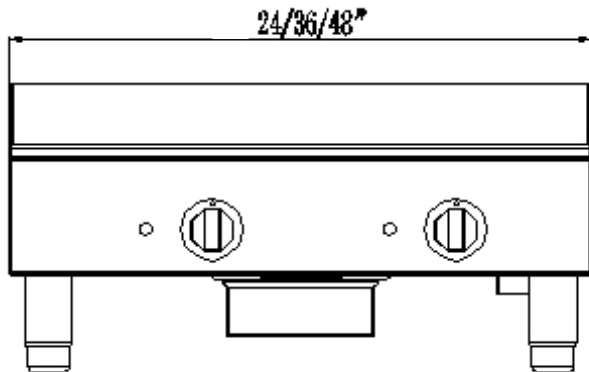
Net Weight: 130 lbs (59 kg)  
Shipping Weight: 161 lbs. (73 kg)  
Dimensions: 38.3" W x 24.5" D x 17" H  
(97 cm x 62 cm x 43 cm)

**GEG48 Shipping Information:**

Net Weight: 169 lbs (76.7 kg)  
Shipping Weight: 205 lbs. (93 kg)  
Dimensions: 50.22" W x 24.5" D x 17" H  
(128 cm x 62 cm x 43 cm)

*Ships on an individual pallet.*

Cartons are reinforced for shipping. The weight and dimensions of this reinforced carton are included above and may vary from shipment to shipment.



**GLOBE FOOD EQUIPMENT COMPANY**

[www.globeslicers.com](http://www.globeslicers.com)

2153 Dryden Rd.  
Dayton, OH 45439  
Phone: 937-299-5493  
Phone: 800-347-5423  
Fax: 937-299-4147

Printed in U.S.A. 8-2011