



# Heavy-Duty Cookline Countertop Radiant Charbroilers

Models:  HCB-2424  HCB-2436  HCB-2448  HCB-2460  HCB-2472

PRODUCT:

QUANTITY:

ITEM #:

## Designed Smart

Heavy Duty Countertop Gas Radiant charbroilers with exceptional low profile design is only 13 1/8" (333mm) to broiling surface making the Heavy Duty series broilers ideal for use on refrigerated cabinets and a 21 1/2" deep broiling surface.

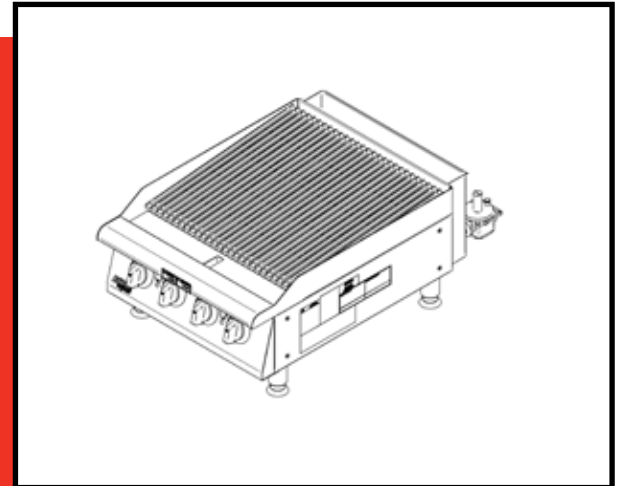
Exterior front is all stainless steel with unique air blanket for ventilation and cooler outer temperatures. Front grease trough, slide out stainless steel water pan/grease drawer and 4" (102mm) chrome plated adjustable legs are standard. Interior combustion chamber is fabricated of 16 gauge CRS.

The HD models feature 24" long, 20,000BTU/HR, independently controlled; clog-proof, high efficiency burners located every 5" (127mm) for maximum heat. Radiant models feature 14 Gauge, 300-series cast iron radiant heat deflectors placed directly above each burner for even heat transfer to the broiling surface, while stainless steel radiants are optional.

Standard top grates are cast iron with channels to direct grease to front trough. Grates are 22 3/4" (578mm) long with 7/8" (22mm) rib spacing while several grate types are optional and may be mixed and matched at no additional charge. Each grate may be manually adjusted in any of three separate tilting positions

## APW Wyott Design Features

- Cast iron top grates for broiling- floating rods or meat grates available at no extra charge
- 20,000 BTU/HR per burner with individually operated controlled valves located every 5"
- Stainless steel burners feature flame guards – cast iron burners optional
- Up to 24,000 BTU/HR per broiler in natural or propane gas
- All stainless exterior front, unitized body constructions, and stainless steel radiant heat deflectors
- Low profile, countertop design - only 13 1/8" to broiling/grilling surface
- Stainless steel slide-out grease drawer/water pan and 4" legs
- 3/4" (19mm) NPT rear gas connection and pressure reflector



Model HCB-2424 Heavy Duty Radiant Charbroiler

## Options & Accessories

- Stainless steel front-mounted work deck with our without sauce pan cut-outs
- Richlite front mounted work deck with our without sauce pan cut outs
- Flame failure safety pilot and CE approval
- Stainless radiants, cast iron burners
- Gas connector hoses, removable griddle plates, overhead back shelves, grate lifters, condiment rail, and stainless steel equipment stands

## Reliability backed by APW Wyott's Warranty

All APW Wyott Heavy Duty Cooking Equipment is backed by a 1-year limited warranty and a 1-year on-site labor warranty.\*

- Certified by the following agencies:



\*Warranty does not include rock grates, cooking grates, burner shields or fireboxes.

See reverse side for product specifications.





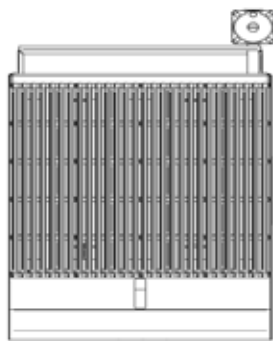
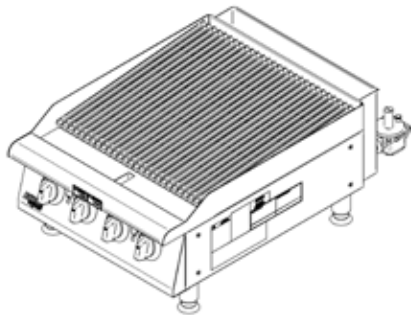
# Heavy-Duty Cookline Countertop Radiant Charbroilers

Models:  HCB-2424  HCB-2436  HCB-2448  HCB-2460  HCB-2472

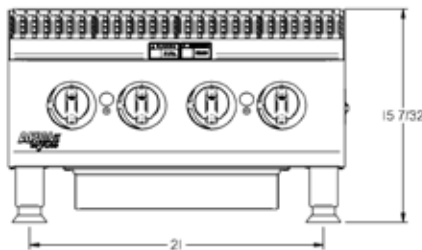
PRODUCT:

QUANTITY:

ITEM #:



Heavy Duty Cookline Lava Rock  
Charbroiler  
Model HCRB-2424



## PRODUCT SPECIFICATIONS

### Construction:

Stainless steel top skirt, grease through, grease collector drawer, and front panel. Stainless steel radiant, aluminized steel sides and back panel. 4" adjustable legs. Welded construction, Field convertible and adjustable gas regulator.

### Gas Specifications:

HCB-2424:	4 burners, 66,000 BTUH total,	19.3 KW
HCB-2436:	6 burners, 99,000 BTUH total,	20.0 KW
HCB-2448:	8 burners, 132,000 BTUH total,	38.7 KW
HCB-2460:	10 burners, 165,000 BTUH total,	48.3 KW
HCB-2472:	12 burners, 198,000 BTUH total,	58.0 KW

### Cooking Surface:

HCB-2424:	15 7/32" H x 24" W (38.7 cm x 61 cm)
HCB-2436:	15 7/32" H x 36" W (38.7 cm x 91.5 cm)
HCB-2448:	15 7/32" H x 48" W (38.7 cm x 121.9 cm)
HCB-2460:	15 7/32" H x 60" W (38.7 cm x 152.4 cm)
HCB-2472:	15 7/32" H x 72" W (38.7 cm x 182.9 cm)

### Overall Dimensions:

HCB-2424:	15 7/32" H x 24" W x 33 5/16" D (38.7 cm x 61 cm x 63.2 cm)
HCB-2436:	15 7/32" H x 36" W x 33 5/16" D (38.7 cm x 91.5 cm x 63.2 cm)
HCB-2448:	15 7/32" H x 48" W x 33 5/16" D (38.7 cm x 121.9 cm x 63.2 cm)
HCB-2460:	15 7/32" H x 60" W x 33 5/16" D (38.7 cm x 152.4 cm x 63.2 cm)
HCB-2472:	15 7/32" H x 72" W x 33 5/16" D (38.7 cm x 182.9 cm x 63.2 cm)

### Shipping Information:

HCB-2424: 167 lbs. (76 kg)	HCB-2436: 225 lbs. (102 kg)
HCB-2448: 335 lbs. (152 kg)	HCB-2460: 478 lbs. (217 kg)
HCB-2472: 613 lbs. (278 kg)	

F.O.B. Cheyenne, WY 82007

\*APW Wyott reserves the right to modify specifications or discontinue models without incurring obligation.



APW Wyott Foodservice Equipment Company · 729 Third Ave., Dallas, TX 75226  
(800) 527-2100 · (214) 421-7366 · Fax (214) 565-0976 · www.apwwyott.com · info@apwwyott.com

Rev. 02/25/09