

## Hot Dog Hutch

Models:

Models HDH-3, HDH-3DR



**HDH-3**



**HDH-3DR**

The Roundup® Hot Dog Hutch will quickly heat food and maintain it at a ready-to-eat temperature, all with a simple twist of a thermostat control knob. Models HDH-3 and HDH-4 hold hot dogs and buns. Models HDH-3DR and HDH-4DR hold a larger number of hot dogs (no buns).

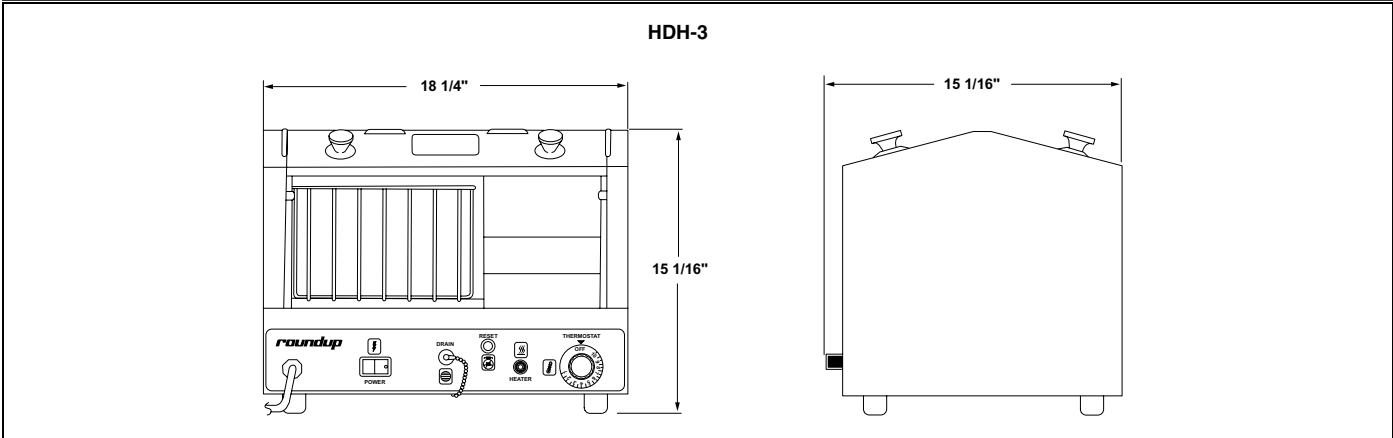
The top cover design helps to retain heat while providing ready access to the food. A resettable hi-limit thermostat is included for additional safety.

Your Hot Dog Hutch is manufactured from the finest materials available and is assembled to Roundup's strict quality standards. This unit has been tested at the factory to ensure dependable trouble-free operation.

### Features:

- Tempered Safety Glass
- Seven Quart Water Pan
- High Limit Thermostat Turns Off Power if Unit Runs Out of Water
- Stainless Steel Construction

**Dimensions**



Model	Manufacturing No.	Width	Depth	Height	Shipping Weight
HDH-3	9300100 120V	18-1/4" (464 mm)	15" (381 mm)	16" (406 mm)	43 lbs. (20 Kg)
	9300102 230V				
HDH-3DR	9300106 120V	18-1/4" (464 mm)	15" (381 mm)	16" (406 mm)	43 lbs. (20 Kg)
	9300108 230V				

**Electrical Cord & Plug Configurations**

Description	Configuration
NEMA-5-15P 15 Amp, 120 VAC	
CEE 7/7 Schuko 16 Amp, 250 VAC	
Australian Plug 10 Amp, 240 VAC	
Commercial Cord Harmonized Cord	

**Electrical Ratings (All Models)**

VAC	Watts	Amps	Hz
120	1000	8.3	50/60
230	1000	4.3	50/60

**Capacities**

**WATER**

Seven quarts (5.6 liters) in water tray.

**FOOD**

**Refrigerated Product Only—Not Frozen**

**HDH-3:** Up to 33 standard size hot dogs 7" (178 mm) in the hot dog rack; up to 24 standard sized hot dog buns in the basket.

**HDH-3DR:** Up to 66 standard sized hot dogs 7" (178 mm) in the hot dog racks.