



T&S BRASS AND BRONZE WORKS, INC.
 2 Saddleback Cove / P.O. Box 1088
 Travelers Rest, SC 29690

Model No.
HG-4-K Series

Item No.

Travelers Rest, SC: 800-476-4103 • Simi Valley, CA: 800-423-0150 • Fax: 864-834-3518 • www.tsbrass.com

This Space for Architect/Engineer Approval

Job Name _____ Date _____

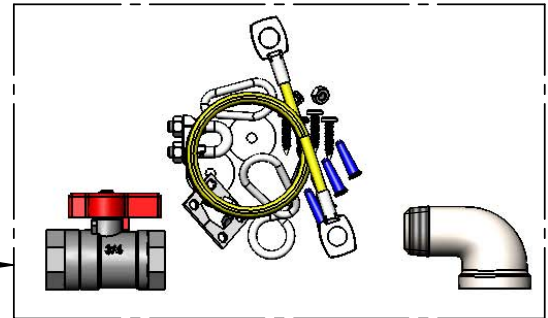
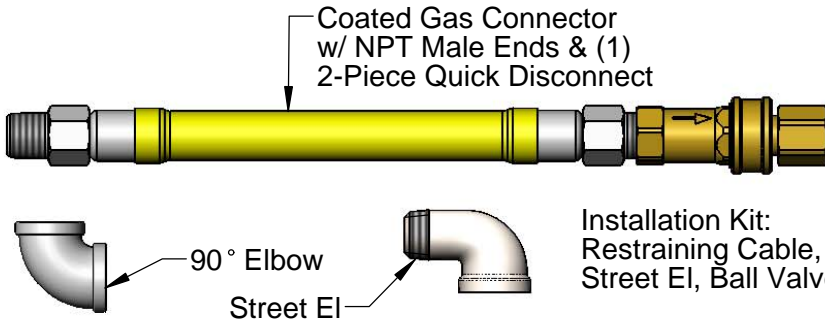
Model Specified _____ Quantity _____

Customer/Wholesaler _____

Contractor _____

Architect/Engineer _____

SAFE-T-LINK



"L" = Length	1/2" NPT
12"	HG-4C-12K
24"	HG-4C-24K
36"	HG-4C-36K
48"	HG-4C-48K
60"	HG-4C-60K
72"	HG-4C-72K

"L" = Length	3/4" NPT
12"	HG-4D-12K
24"	HG-4D-24K
36"	HG-4D-36K
48"	HG-4D-48K
60"	HG-4D-60K
72"	HG-4D-72K

"L" = Length	1" NPT
12"	HG-4E-12K
24"	HG-4E-24K
36"	HG-4E-36K
48"	HG-4E-48K
60"	HG-4E-60K
72"	HG-4E-72K

"L" = Length	1 1/4" NPT
12"	HG-4F-12K
24"	HG-4F-24K
36"	HG-4F-36K
48"	HG-4F-48K
60"	HG-4F-60K
72"	HG-4F-72K

HG-4-K Series Product Configurator: HG - 4 - K

Ex: HG - 4 - K

Gas Hose, 3/4" NPT Male Ends, 36" Length, (1) 2-Piece Quick Disconnect, (1) Street El, (1) Installation Kit

Product Specifications:
 Safe-T-Link Gas Appliance Connector: Coated Gas Hose, NPT Male Ends, 2-Piece Quick Disconnect, 90° Elbow & Street Elbow

Product Compliance:
 ANSI Z21.69 / CSA 6.16
 NSF 2
 NFPA 54