



HISU050/U056/U055 - SELF CONTAINED CUBE ICE MAKER



HISU050

With its horizontal evaporator, the HIS line of ice machines provides crystal clear ice every time. And with its compact design the HIS ice machine is sized to fit most anywhere and yet stylish enough to show off to your customers.

Features

- Produces up to 60 lbs (27.2 kg) of ice per day
- Stores up to 36 lbs (16.3 kg) of ice
- Elegant euro styling
- Space saving design
- Easy open, self-storing bin door
- Large bin opening for easy access to ice
- Simple control panel for easy adjustments
- Low profile 32 in. (81 cm) installation with available ADA compliant kit
- Front air intake & discharge for undercounter installation
- Easy electrical connections
- Ice scoop included

Options & Accessories

Model	Description
KADA-15	ADA floor mount kit for 15" HIS self-contained ice machine

Ice Maker Warranty

Every Ice-O-Matic ice maker is backed by a warranty that provides both parts and labor coverage.

- Three years **Parts** and **Labor**.

Ice Form



CUBE

FULL CUBE DIMENSIONS	
W x D x H (in.)	7/8 x 7/8 x 7/8
W x D x H (mm)	22 x 22 x 22

Space-Saving Solutions

- Front air discharge design for compact spaces.
- Low profile design for perfect under counter fit.
- Easy front access to ice.
- ADA adaptable.

HISU050/U056/U055 SELF CONTAINED CUBE ICE MAKER

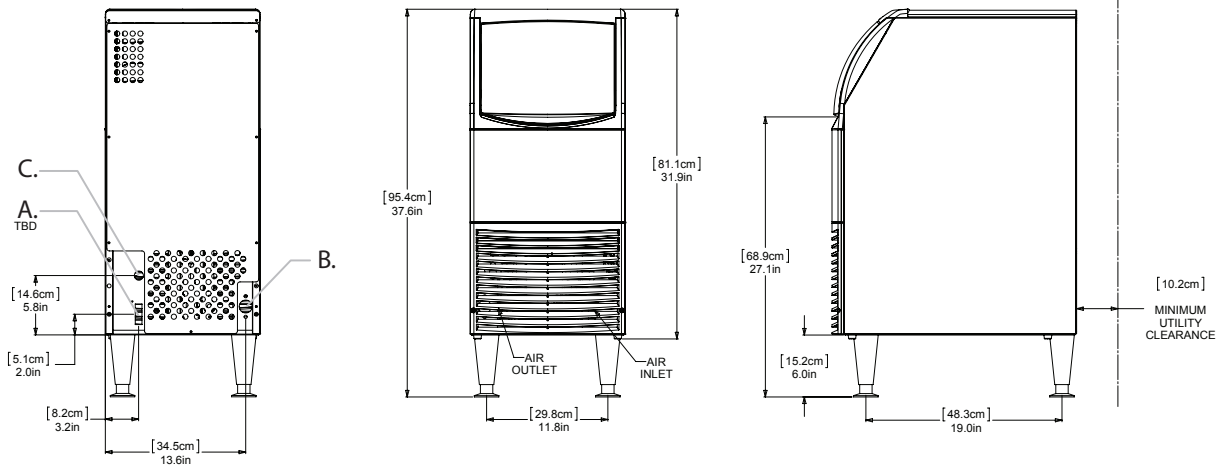


HISU050/U056/U055 - SELF CONTAINED CUBE ICE MAKER



Air Cooled

A. Ice maker water in 3/8" FPT. (TBD) B. Bin and ice maker drain, 3/4" FPT. C Electrical cord.



Back, Front & Side View

Operating Requirements

	MINIMUM	MAXIMUM	
		60 Hz	50 Hz
Ambient Temp. Range Air	50°F (10°C)	100°F (38°C)	
Water Temp.	40°F (4.5°C)		
Water Pressure	15 PSIG (1.03 BAR)	80 PSIG (5.5 BAR)	

Dimensions

ALL MODELS	
W x D x H (in.)	15 x 23.7 x 37.5
W x D x H (mm)	381 x 602 x 952.5

Specifications

Model Number	Cond. Unit	Ice Production per 24hrs		Water Usage gallons per 100 lbs of Ice 90°F air/70°F water	Potable	kWh Used per 100 lbs of ice @ 90°F air/70°F water	Number of Wires	Voltage Characteristics	Min. Circuit Ampacity	Fuse Size	Approx. BTUs per hour**
		70°F air/ 50°F water lbs (kg)	90°F air/ 70°F water lbs (kg)								
HISU050FA	Air	60 (27.2)	38 (17.2)	41 (155.2)		12	Cord connected	115/60	3.6	15	1,500
HISU056FA								208-230/60	1.8		1,500
HISU055FA								220-240/50	2.0		1,500

**BTUH is calculated O°F Evaporator, 100°F Condensing, and 33 PSIG.

NOTES:

Approx. Shipping Weight lbs (kg): All models 102 (46.3)
 Refrigerant Type: R-134A
 Included Items: Cord Set, Water inlet hose for 50hz and 230v 60hz or 5ft (1.52 m) length of 1/4" (6.35 mm) plastic tubing for 115v machines, Ice scoop, 6" legs

HISU050/U056/U055 SELF CONTAINED CUBE ICE MAKER