

**MAX Open Merchandisers - Multi-purpose  
35E Series – (SC) 74" Height  
(R) 60" Height – Endless Design**



**SC-OD35E-4L-LB-B\***  
**\*ARTIST RENDERING**



**R-OD35E-4L-LB-B\***  
**ARTIST RENDERING**

**STANDARD FEATURES**

- **NEW** Lower base, maximizes display space
- Self contained and remote
- Black exterior and interior
- Heavy gauge steel super structure
- Multi deck
- Endless design
- 1" bumper
- 4" curved plexi end panels
- LED lighting
- Full length lighting at top of unit
- 3 rows of lighted shelving
- 4 levels of product display
- Electronic control system to maintain balanced temperatures (SC)
- Tag molding on each shelf
- Unit comes with cord and plug (SC)
- UL/CUL listed

**OPTIONAL FEATURES**

- Wide view curved plexi end panels
- Night covers
- Product stops on shelving
- Digital thermometer
- Condensate pan and pump kit

**Remote**

Model No.	Description	Length	Depth	Height	Voltage	Amps	HP/ BTUs	Power Cord	Est. Ship Weight
SC-OD35E-4L-LB-B	Self Contained	51.00"	34.50"	74.00"	115/208-230	13.0	1/2	L14-20P	895
R-OD35E-4L-LB-B	Remote	51.00"	34.50"	60.00"	115	3.0	4733	No	585

MODEL NUMBER PREFIX: SC = Self Contained, R = Remote

MODEL NUMBER SUFFIX: B = Black,

- Cases are designed to operate at 75 degrees Fahrenheit and 55% relative humidity
- Cases are equipped with drains; check your local building codes for connection requirements.
- Specification subject to change without notice



## Standard Specifications and Optional Features

### CONSTRUCTION

- UL Classified to ANSI/NSF 7
- Foamed in place CFC free foam
- Heavy gauge steel super structure
- Multi deck
- Endless design allows for continuous line up  
(Remote Only)

### INTERIOR

- Black
- Removable black floor pans
- Black perforated rear wall (for even air distribution)
- Full length lighting at top of unit
- 3 levels of lighted shelving
- 4 levels of product display
- Stylish price tag molding on each shelf

### EXTERIOR

- Black ends, front and rear
- Removeable front grill allows for cleaning and servicing
- 1" bumper
- 4" curved plexi end panels

### LIGHTING

- 1 row at inside top of unit
- 3 rows of lighted shelving

### ELECTRICAL REQUIREMENTS

- Self contained unit comes with cord and plug
- UL/CUL listed
- See Tech page for details on voltage

### REFRIGERATION

- Self contained expansion valve system
- Remote; R448A expansion valve system
- Low velocity fans located below deck area (to insure even flow of air)
- Electronic control system with automatic air defrost to maintain balanced temperatures (SC)
- New high efficiency air screen technology

### OPTIONAL FEATURES

- Wide view plexi end panels
- Night covers
- Product stops on shelving
- Digital thermometer
- Condensate pan and pump kit

### Important Note:

All refrigerated cases are designed to operate in an environment of 75 degrees and 55% relative humidity. Product must be cooled before being displayed within the case.

**DRAIN IS REQUIRED**



## Technical Data

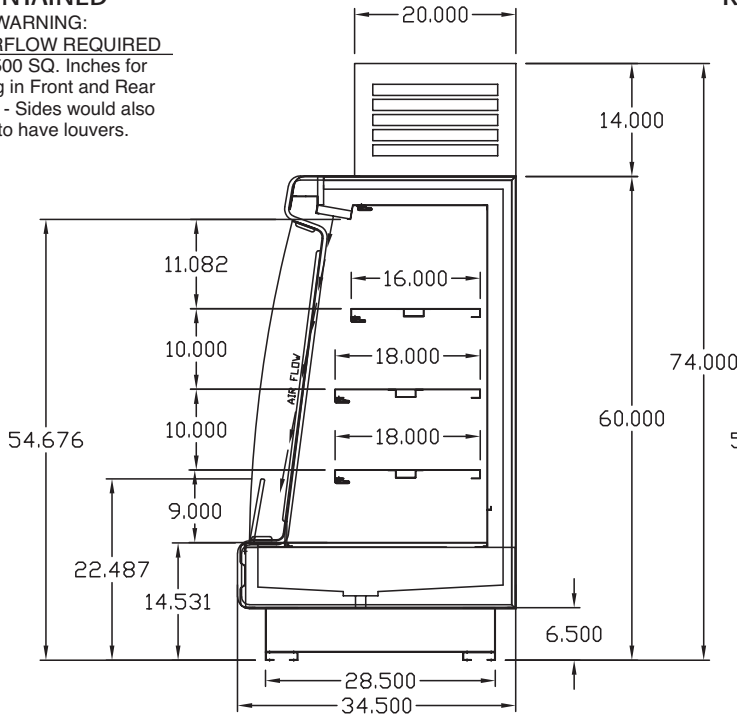
Model No.	SC-OD35E-4L-LB-B		R-OD35E-4L-LB-B
Length with (2) ends	51"		51"
Length without ends	48"		48"
Height with ends	74"		60"
Depth with ends	34.5"		34.5"
Depth without ends	34"		34"
Endless design (Dimensions are +/- 1/4")	NO		YES
Operating temperature	36°F to 40°F		36°F to 40°F
Refrigerant (exp. valve)			R448A
Defrost per day (24 hours)	Air Defrost	6 per day	6 per day
BTU's at +20°F Evap. Temp.	N/A		4733
Voltage	115/208-230		115
Amperage	SC	13.0	
Amperage, lights only	R	N/A	3.0
Cord and plug	SC	Nema L14-20P	No
Exterior color	BLACK		BLACK
Interior color	BLACK		BLACK
# of rows / shelves	3		3
Shelf Size	(1) 16", (2) 18"		(1) 16", (2) 18"
Shipping Info			
Height	86"		68"
Depth	44"		44"
Length	61"		61"
Gross weight	895		585
Cubic feet	134		106



## Side View

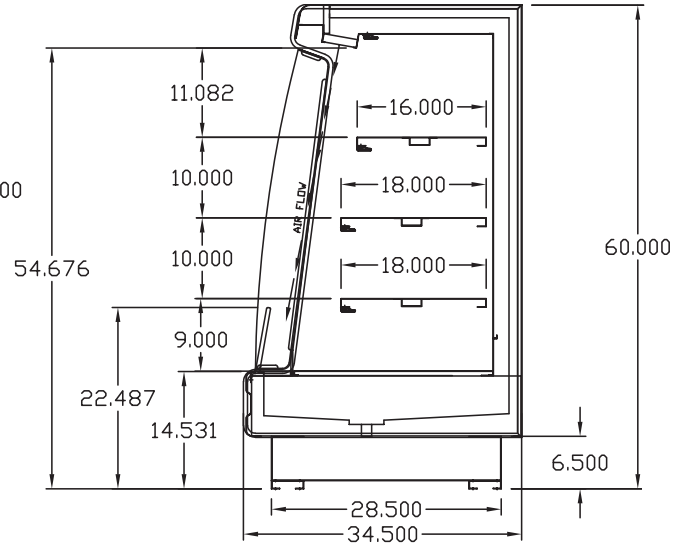
SELF CONTAINED

WARNING:  
FREE AIRFLOW REQUIRED  
Needs 500 SQ. Inches for  
Breathing in Front and Rear  
of Cases - Sides would also  
need to have louvers.



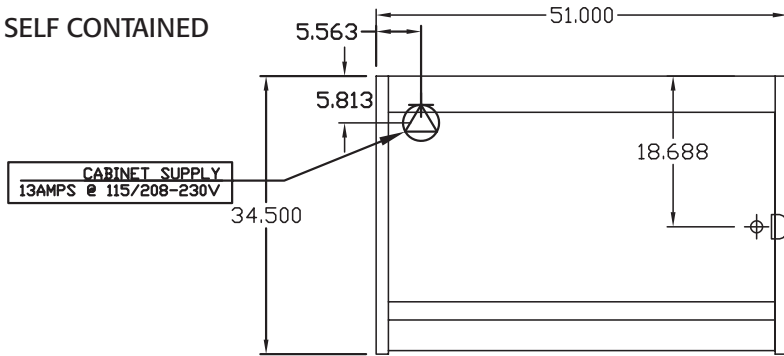
## Side View

REMOTE

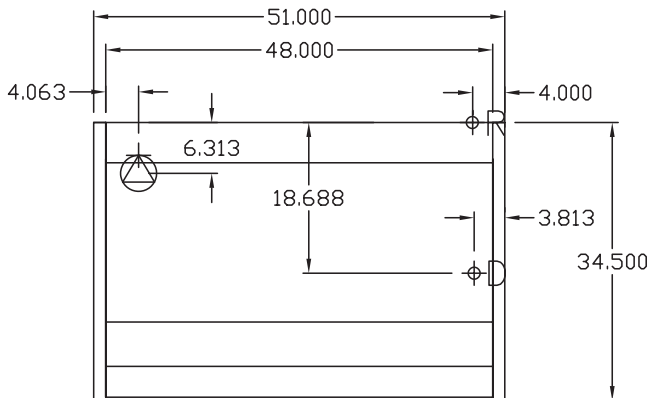


## 4' Plan View

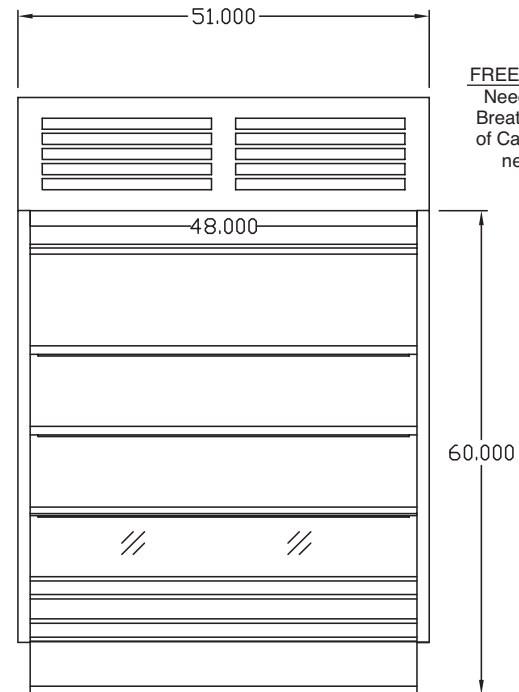
SELF CONTAINED



REMOTE



## Front View SELF CONTAINED



WARNING:  
FREE AIRFLOW REQUIRED  
Needs 500 SQ. Inches for  
Breathing in Front and Rear  
of Cases - Sides would also  
need to have louvers.

