

Open Merchandisers 35E Series – 60"H – Endless Design – Meat



Model No.	Description	Length	Depth	Height	Voltage	Amps	HP/BTUs	Power Cord	Est. Ship Weight
SC-OM35E-3L-LED	Self Contained	39"	34.5"	60"	115	14.0	1/2	5-20P	700
SC-OM35E-4L-LED	Self Contained	51"	34.5"	60"	115	15.0	1/2	5-20P	965
SC-OM35E-5L-LED	Self Contained	63"	34.5"	60"	115/208-230	16.0	3/4	L14-20P	1070
SC-OM35E-6L-LED	Self Contained	75"	34.5"	60"	115/208-230	16.0	3/4	L14-20P	1175
R-OM35E-3L-LED	Remote	39"	34.5"	60"	115	2.0	3550	No	575
R-OM35E-4L-LED	Remote	51"	34.5"	60"	115	3.0	4733	No	790
R-OM35E-5L-LED	Remote	63"	34.5"	60"	115	4.0	5916	No	895
R-OM35E-6L-LED	Remote	75"	34.5"	60"	115	4.0	7100	No	1000

MODEL NUMBER PREFIX - SC = Self Contained R = Remote

MODEL NUMBER SUFFIX - W = White B = Black S = Stainless Steel LED = LED lighting

- Cases are designed to operate at 75 degrees Fahrenheit and 55% relative humidity
- Cases are equipped with drains; check your local building codes for connection requirements.
- Specification subject to change without notice

IF COLORS ARE MIXED AN ADDITIONAL CHARGE WILL APPLY



Open Merchandisers 35E Series – 60"H – Endless Design – Meat Standard Specifications and Optional Features

CONSTRUCTION

- UL Classified to ANSI/NSF 7
- Foamed in place CFC free foam
- Heavy gauge steel super structure
- Multi deck
- Endless design allows for continuous line up

INTERIOR

- White, black, or stainless steel end panels
- Removable white, black, or stainless steel floor pans
- White, black, or stainless steel perforated rear wall (for even air distribution)
- Full length lighting at top of unit
- 2 levels of shelving
- 3 levels of product display
- Stylish price tag molding on each shelf
- 3" Product stop on each shelf

EXTERIOR

- White, black, or stainless steel ends and front
- Removeable front grill allows for cleaning and servicing
- 1" bumper
- Choice of end panels

FINISHES

- White, black, or stainless steel front rail
- White, black, or stainless steel end trim
- Laminate, and custom paints available
- White, black, or stainless steel end panels
- White, black, or stainless steel rear panels

LIGHTING

- 1 row at inside top of unit
- 2 rows of lighted shelving

ELECTRICAL REQUIREMENTS

- Self contained unit comes with cord and plug
- UL/CUL listed
- See Tech page for details on voltage

REFRIGERATION

- Self Contained; - expansion valve system
- Remote; R448A expansion valve system
- Low velocity fans located below deck area (to insure even flow of air)
- Electronic Control System with automatic air defrost to maintain balanced temperatures
- New high efficiency air screen technology
- Self contained system
- Copeland hermetic unit
- Remotes available

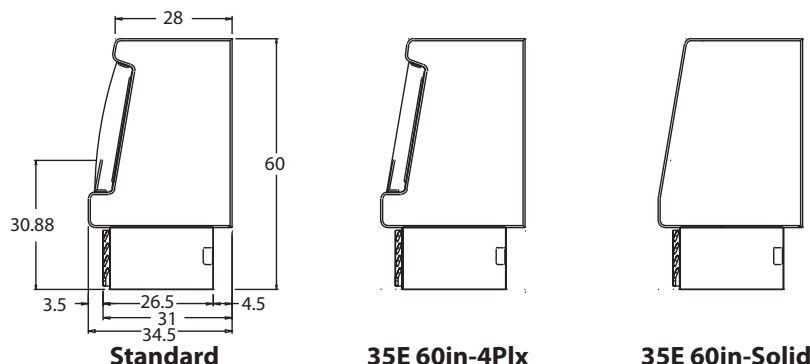
OPTIONAL FEATURES

- Solid state lighting
- Night covers
- Peg bars
- Security cover
- Step shelves
- Insulated divider for line ups
- Plexiglas divider for line ups
- Stainless steel, laminated or paint
- Product stops on shelving
- Colored bumper
- Choice of end panels
- Digital thermometer

Important Note:

All refrigerated cases are designed to operate in an environment of 75 degrees and 55% relative humidity. Product must be cooled before being displayed within the case.

DRAIN IS REQUIRED



Standard

35E 60in-4Plx

35E 60in-Solid

Open Merchandisers 35E Series – 60"H – Endless Design – Meat

Technical Data

Model No.	SC R	SC-OM35E-3L-LED R-OM35E-3L-LED	SC-OM35E-4L-LED R-OM35E-4L-LED	SC-OM35E-5L-LED R-OM35E-5L-LED	SC-OM35E-6L-LED R-OM35E-6L-LED
Length with (2) ends		39"	51"	63"	75"
Length without ends		36"	48"	60"	72"
Height with ends		60"	60"	60"	60"
Height without ends		59.5"	59.5"	59.5"	59.5"
Depth with ends		34.5"	34.5"	34.5"	34.5"
Depth without ends		34"	34"	34"	34"
Endless design		YES	YES	YES	YES
(Dimensions are +/- 1/4")					
Operating temperature		34°F to 38°F	34°F to 38°F	34°F to 38°F	34°F to 38°F
Refrigerant (expansion valve)	SC/R	- / R448A	- / R448A	- / R448A	- / R448A
Compressor size HP	SC	1/2	1/2	3/4	3/4
Defrost per day (24 hours)	Air Defrost	6 per day	6 per day	6 per day	6 per day
BTU's at +20°F Evap. Temp.	R	3550	4733	5916	7100
Voltage	SC	115	115	115/208-230	115/208-230
Amperage	SC	14.0	15.0	16.0	16.0
Remote Voltage	R	115	115	115	115
Amperage, lights & fans only	R	2.0	3.0	4.0	4.0
Cord and plug	SC	5-20P	5-20P	L14-20P	L14-20P
	R	NO	NO	NO	NO
Exterior color		W,B,S	W,B,S	W,B,S	W,B,S
Interior color		W,B,S	W,B,S	W,B,S	W,B,S
# of rows / shelves		1/1	1/1	1/2	1/2
Shelf Size		(1) 16" (1) 18"	(1) 16" (1) 18"	(1) 16" (1) 18"	(2) 16" (2) 18"
Shipping Info					
Height		65"	65"	65"	65"
Depth		44"	44"	44"	44"
Length		61"	61"	72"	86"
Gross weight (SC/R)		655/520	685/585	768/728	850/810
Cubic feet		100	100	119	142

(ALL WHITE OR ALL BLACK, NO EXTRA CHARGE—IF COLORS ARE MIXED AN ADDITIONAL CHARGE WILL APPLY)

Prefix

SC = Self Contained
R = Remote

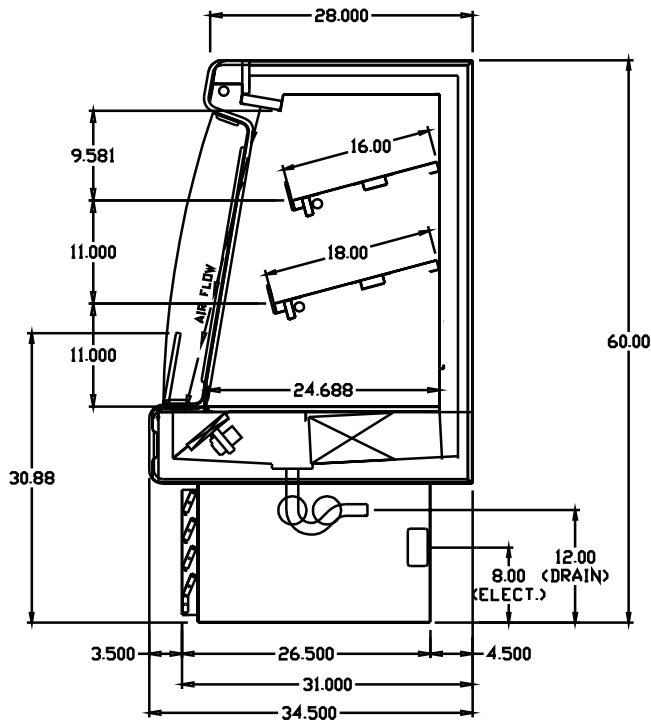
Suffix

B = Black
W = White
S = Stainless Steel
LED = LED lighting

- Cases are designed to operate at 75 degrees Fahrenheit and 55% relative humidity
- Cases are equipped with drains; check your local building codes for connection requirements.
- Specification subject to change without notice

Open Merchandisers 35E Series – 60"H – Endless Design – Meat Technical Data • Side View • Plan View

Side View



Floor Plan Views

