



"HNB" Maple Top Work Tables

w/ 1 3/4" thick Hard Rock Maple Top
w/ Galvanized Base



AUTOQUOTES



1-3/4" MAPLE TOP w/ GALVANIZED BASE					
24"WIDE	Qty	30"WIDE	Qty	36"WIDE	Qty
HNB01		HNB07		HNB13	
HNB02		HNB08		HNB14	
HNB03		HNB09		HNB15	
HNB04		HNB10		HNB16	
HNB04A		HNB10A		HNB16A	
HNB05		HNB11		HNB17	
HNB05A		HNB11A		HNB17A	
HNB06		HNB12		HNB18	

FEATURES:

- * 1 3/4" Thick Hard Rock Maple Top top style "SC" flat top
- * Maple top is finished with penetrating oil with optional natural clear Varnique Finish
- * Galvanized base and bracing,
- * Bracing adjustable to desired height
- * Adjustable bullet feet
- * Shipped knocked-down, easy - to - assemble
- * Optional drawers, casters, pot racks, etc. available
- * All models are approved by the National Sanitation Foundation

MATERIAL:

Top: Laminated Hard Rock Maple
 Bracing: 1 1/4" round O.D. 18 gauge tubular galvanized steel
 Legs: 16 gauge Galvanized Steel
 Gussets: Galvanized Steel
 Feet: 1" adjustable galvanized bullet feet

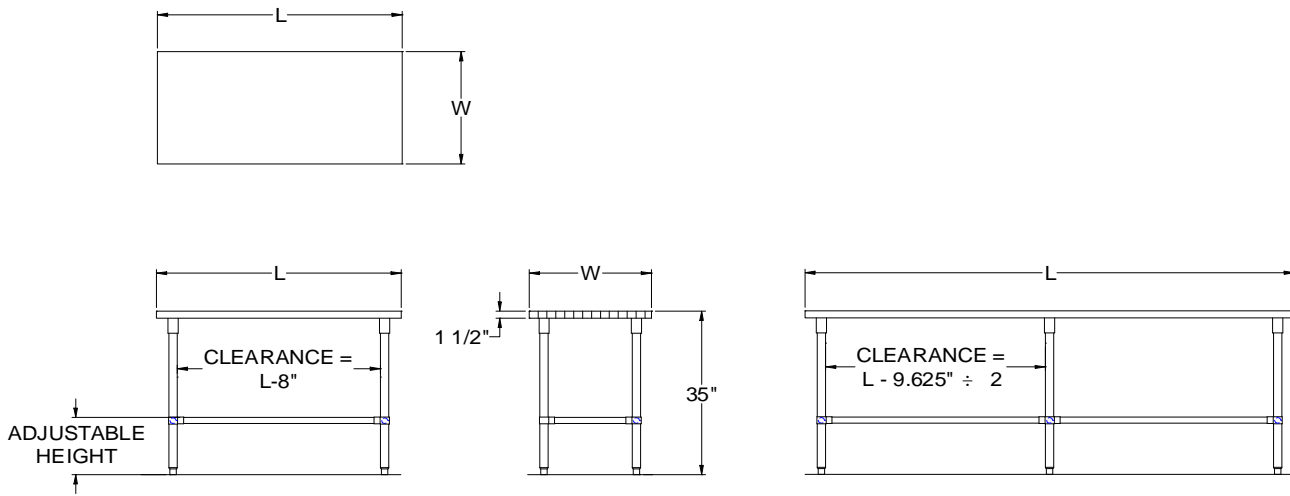
OPTIONAL ACCESSORIES

	MODEL #	Qty
DRAWER		
DRAWER LOCK		
CASTERS		
DUPLEX RECEPT.		
OVERSHELVES		
POT RACK		

John Boos & Co

3601 S. Banker Street - Effingham, IL 62401
 Phone: 217-347-7701 - Fax: 217-347-7705
 Email: sales@johnboos.com - Web-site: www. johnboos.com

DETAILED SPECIFICATIONS



All units ship unassembled for reduced shipping cost.

Units 7 ft. and larger are furnished with six legs.

All dimensions are typical.

Tolerance +/- .500".

1-3/4" MAPLE TOP & GALVANIZED BASE

L	24" WIDE	WT.	30" WIDE	WT.	36" WIDE	WT.
36	HNB01	64	HNB07	75	HNB13	100
48	HNB02	79	HNB08	94	HNB14	127
60	HNB03	94	HNB09	112	HNB15	155
72	HNB04	109	HNB10	131	HNB16	190
84	HNB04A	156	HNB10A	189	HNB16	257
96	HNB05	147	HNB11	177	HNB17	239
108	HNB05A	198	HNB11A	241	HNB17A	325
120	HNB06	117	HNB12	214	HNB18	283

John Boos & Co

3601 S. Banker Str - Effingham, IL 62401 Phone: 217-347-7701 - Fax: 217-347-7705

Email: sales@johnboos.com - Web-site: www.johnboos.com



July 2013

John Boos is constantly engaged in a program of improving products and therefore reserves the right to change specification without prior notice