

## HS Series, Remote and Self-Contained, Curved Glass, Double Duty, Meat and Deli Merchandiser

*model HS-6<sup>S/c</sup> shown below*



*model HS-6R shown below*



- *Hundreds of Color Co-ordinated Exterior Panels*
- *Full Vision, Triple Pane Curve Glass Front*
- *Mirror Finish Stainless Steel Exterior Trim*
- *Heavy Duty Construction for a Longer Life*
- *Full Length Lighting for Maximum Visibility*
- *Main Deck Plus Two Mezzanine Shelves for More Display*
- *Fully Self-Contained, Operates 115V*
- *115V Convenience Outlet for a Scale*
- *Condensate Evaporator Eliminates Need for Drain on <sup>S/c</sup> Models*
- *Curved Glass Adds Dramatic Display Potential*



# Marc Refrigeration

7453 Northwest 32nd Avenue, Miami, Florida 33147 • (305) 691-0500  
Fax (305) 691-1212

A City Discount



## HS Series, Remote & Self-Contained, Curved Glass Merchandiser

While everyone else says there optional ...  
**only Marc offers these kind of features STANDARD!**

### • Your Choice of Decor Matched Exteriors, FREE!

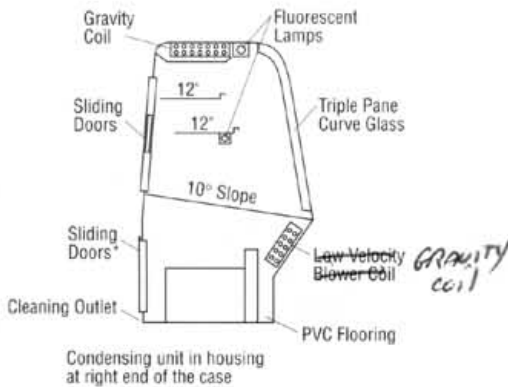
You can't name a color that is not available: *brilliant blue, green marble, honey maple, black...* Marc offers hundreds of decor matching exterior panels at no extra cost! Call us with your choice. We'll match it from our enormous collection of finishes, FREE!

### • Curved Glass Adds Dramatic Display Potential

The unique curved glass display adds tremendous impact to the traditional deli/meat case, this case is the perfect solution to lagging sales. Ideal for prepared salads, meat, deli, seafood, pastries, or the specialty of the house. Marc's Curved Glass Merchandiser is a traffic builder for any business!

### • Condensate Evaporator Eliminates Need for Drain on S/c Models

For the self contained unit, the automatic, electric condensate evaporator and automatic defrost clock provide worry-free control of condensation. Together they eliminate the need for plumbing or drain connection on self contained models.+



\*All models have lower sliding doors except for the MDL-4 S/C that has hinged doors.

model	height	length	depth	top access doors	installed condenser unit HP	electrical volts & amps	approx shppg wt
HS - 4 S/C	55"	50"	36"	2	1/3*	115/1/60 - 12 amps	625 lbs
HS - 6 S/C	55"	72"	36"	2	1/3*	115/1/60 - 12 amps	725 lbs
HS - 8 S/C	55"	96"	36"	4	1/2*	115/1/60 - 14 amps	900 lbs
HS - 4R	55"	50"	36"	2	recommended 1/3**	115/1/60 - 1.7 amps	550 lbs
HS - 6R	55"	72"	36"	2	1/2**	115/1/60 - 1.4 amps	675 lbs
HS - 8R	55"	96"	36"	4	1/2**	115/1/60 - 3.0 amps	825 lbs
HS - 10R	55"	120"	36"	4	3/4**	115/1/60 - 2.5 amps	1000 lbs
HS - 12R	55"	144"	36"	4	3/4**	115/1/60 - 3.6 amps	1100 lbs

### • High Visibility Merchandising Features

The triple pane, thermoglass curved front is perfectly angled for the least amount of glare. Full length lighting offers exceptional merchandising opportunities. In addition to our full deck, two mezzanine shelves are included to maximize the display area.

### • Quality Construction Insures Dependable Service

Mirror Finish, stainless steel trim beautifully accents the decor matched exterior panels. A bright white aluminum interior provides for maximum light reflection for the highest visibility. The stainless steel bottom pan, along with a heavy gauge steel frame, insures years of dependable, rust resistant service.

### • Gravity Coil Refrigeration for Proven Performance

The heavy duty top gravity fin-coil refrigeration system insures uniform product cooling. The lower storage area has its own gravity coil to ensure even air performance underneath main deck.

We reserve the right to change the specifications without notice.

+ Extreme high humidity conditions may require direct drains on S/c models.

**NOTE:** Designed for use in locations with air conditioning, where temperature and relative humidity DO NOT exceed 75°F and 55% R.H.

### OPTIONS

~~Option~~ NSF7 Listing classified by Underwriters Laboratories Inc., in accordance with the NSF International Standard No. 7.



\*This size condenser unit is installed on this model.

\*\*This size condenser unit is **RECOMMENDED** for this model. Consult a competent refrigeration mechanic to determine the appropriate size for your specific application. The appropriate condenser size will vary depending on length of run, indoor/outdoor use, etc.