



Profit from the Eagle Advantage®

Specification Sheet

Short Form Specifications

Eagle Space-Saver Hand Wash Sink, model HWC-E. Constructed of type 304 stainless steel with 9¼" x 11½" x 6" deep stainless steel sink, basket drain, hinged door with magnetic catch, built-in C-fold towel dispenser, deck mounted soap dispenser, and deck mounted gooseneck faucet. Note: For T&S faucet, use model HWC-T.

Eagle Drop-In Hand Wash Sink, model HWB-E. Constructed of type 304 stainless steel with 9¼" x 11½" x 6" deep stainless steel sink, basket drain, hinged door with magnetic catch, built-in C-fold towel dispenser, deck mounted soap dispenser, and deck mounted gooseneck faucet. Note: For T&S faucet, use model HWB-T.



#HWC-E



#HWB-E

Item No.:	_____
Project No.:	_____
S.I.S. No.:	_____

Hand Wash Sinks

MODELS:

- HWC-E
- HWC-T
- HWB-E
- HWB-T

Design and Construction Features

- All heavy gauge type 304 stainless steel all-welded construction.
- 1½" (38mm) bullnose front edge.
- Bowl is 9¼" x 11½" x 6" (235 x 292 x 152mm).
- Hinged door with pull handle secured by magnetic catch.
- Pump action soap dispenser in rear deck.
- Built-in C-fold towel dispenser located in front of sink bowl.
- Deck mount faucet.
- 1½" (38mm) stainless steel basket drain and crumb cup.
- Wall-mountable "Space-Saver" models and drop-in models available.

EAGLE GROUP
 100 Industrial Boulevard, Clayton, DE 19938-8903 USA
 Phone: 302-653-3000 • Fax: 302-653-2065
 www.eaglegrp.com

Foodservice Division: Phone 800-441-8440
MHC/Retail Display Divisions: Phone 800-637-5100

For custom configuration or fabrication needs, contact our **SpecFAB® Division**.
 Phone: 302-653-3000 • Fax: 302-653-3091 • e-mail: specfab@eaglegrp.com



EG20.47 Rev. 07/09

Spec sheets available for viewing, printing or downloading from our online literature library at www.eaglegrp.com

Eagle Foodservice Equipment, Eagle MHC, SpecFAB®, and Retail Display are divisions of Eagle Group. ©2009 by the Eagle Group

A City Discount

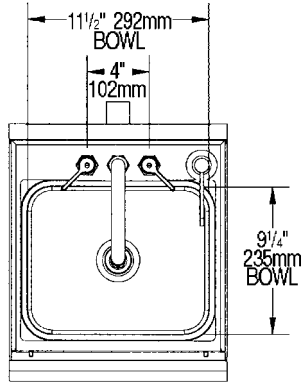


Profit from the Eagle Advantage®

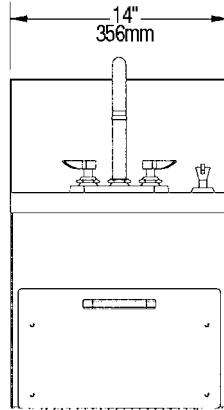
Item No.: _____
 Project No.: _____
 S.I.S. No.: _____

Wall-Mountable "Space Saver" Hand Wash Sinks

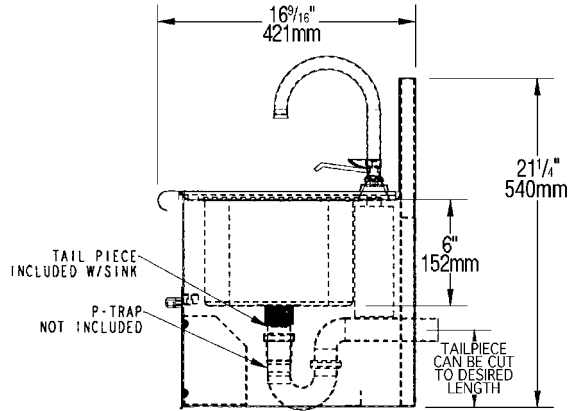
Furnished with Z-clips to secure to wall.



TOP VIEW



FRONT VIEW

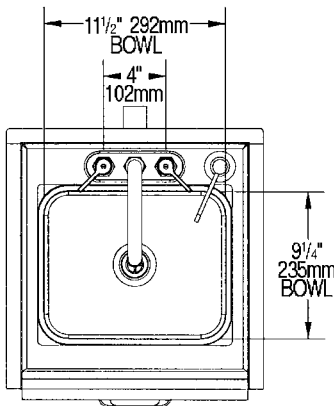


SIDE VIEW

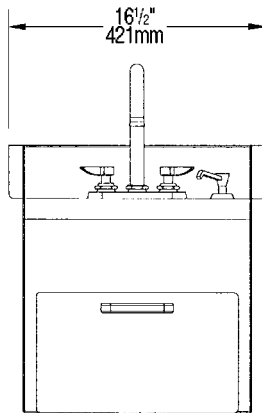
(model # HWC-T unit shown with T&S faucet)

WITH ENCORE FAUCET model #	WITH T&S FAUCET model #	inside bowl dimensions width x length x depth in. mm		overall size width x length x height in. mm		weight lbs. kg	
HWC-E	HWC-T	9 1/4" x 11 1/2" x 6"	235 x 292 x 152	16 5/8" x 14" x 21 1/4"	421 x 356 x 540	28	12.7

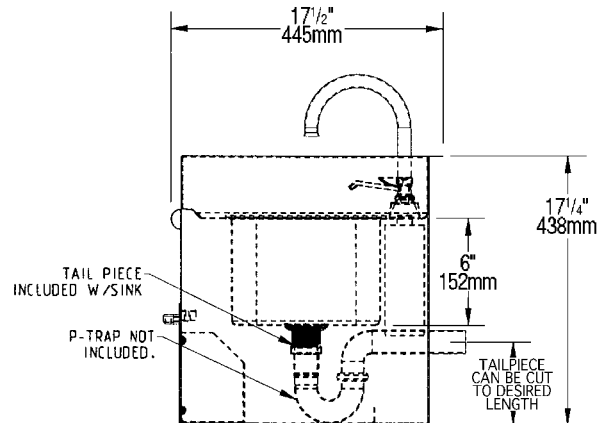
Drop-In Hand Wash Sinks



TOP VIEW



FRONT VIEW



SIDE VIEW

(model # HWB-T unit shown with T&S faucet)

WITH ENCORE FAUCET model #	WITH T&S FAUCET model #	inside bowl dimensions width x length x depth in. mm		overall size width x length x height in. mm		cutout dimensions width x length in. mm		weight lbs. kg	
HWB-E	HWB-T	9 1/4" x 11 1/2" x 6"	235 x 292 x 152	17 1/2" x 16 1/2" x 17 1/4"	445 x 419 x 438	16" x 14 5/8"	406 x 378	29	13.2

EAGLE GROUP
 100 Industrial Boulevard, Clayton, DE 19938-8903 USA
 Phone: 302-653-3000 • Fax: 302-653-2065
 www.eaglegrp.com

Foodservice Division: Phone 800-441-8440
 MHC/Retail Display Divisions: Phone 800-637-5100

Printed in U.S.A.
 ©2009 by Eagle Group

Rev. 07/09

Spec sheets available for viewing, printing or downloading from our online literature library at www.eaglegrp.com

Although every attempt has been made to ensure the accuracy of the information provided, we cannot be held responsible for typographical or printing errors. Information and specifications are subject to change without notice. Please confirm at time of order.