

# ONE TANK SINKS – STAINLESS STEEL BOWL



## MODELS

TS Series

TS12HS

## MODELS

TSD Series

TSD12HS



## Perlick Features

- Deep drawn stainless steel bowl
- NSF listed, commercial grade hot/cold water faucet (must be ordered separately)
- Underside is sound-deadened
- Stainless steel legs install without tools and have “Rust Free” thermoplastic feet



GENERATIONS OF  
EXCELLENCE

Form No. SK02  
Rev. 09.19.2011

**Perlick**<sup>®</sup>

8300 West Good Hope Road • Milwaukee, WI 53223 • Phone 414.353.7060 • Fax 414.353.7069  
Toll Free 800.558.5592 • E-Mail [perlick@perlick.com](mailto:perlick@perlick.com) • [www.perlick.com](http://www.perlick.com)

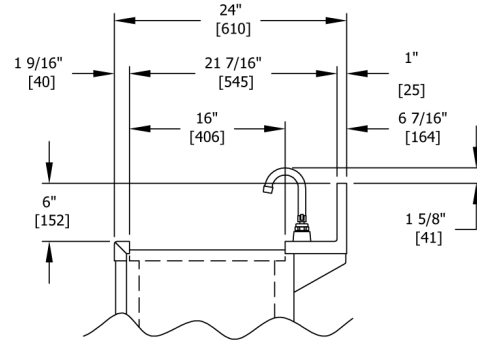
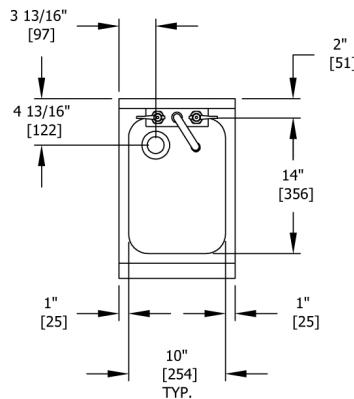
# Size and Specifications

One Tank Sink – Stainless Steel Bowl



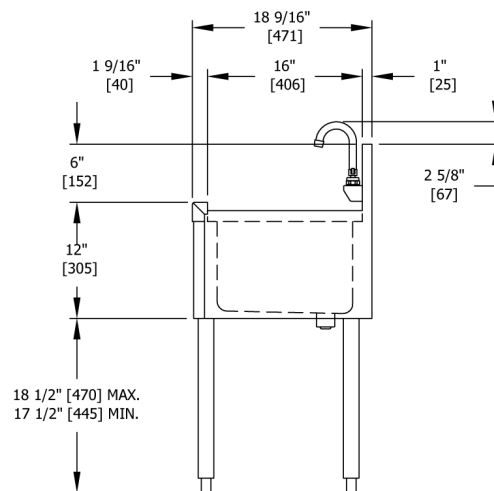
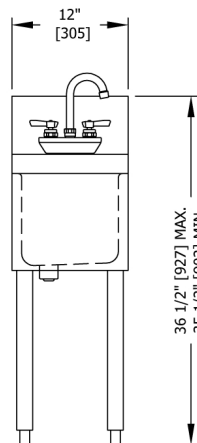
Job \_\_\_\_\_  
 Area \_\_\_\_\_  
 Item No. \_\_\_\_\_  
 Model No. \_\_\_\_\_

MODEL NO.	TS12HS	TSD12HS
LENGTH IN. (mm)	12" (305)	12" (305)
SHIP WEIGHT LB. (kg)	45 (20)	45 (20)
TOP & SIDES	Stainless steel	
BACK & BOTTOM	Stainless steel	
BACKSPLASH	Stainless steel 6" high (4" high optional) with 1" return at the top, mechanically fastened and sealed to hand sink top with steel support brackets. <b>TSD Series:</b> Stainless steel rear deck	
LEGS	1-5/8" tubular, stainless steel with 1" adjustable thermoplastic foot.	
BOWL	Stainless steel with sound deadening. 10"x14"x9-1/4" deep. All horizontal and vertical edges 1-1/2" radius with balled corners. Furnished with 1-1/2" stainless steel drain socket. 8-1/2" standpipe.	
WATER FAUCET	Chrome plated, hot and cold, goose neck swing spout faucet. Heavy-duty all brass construction. <b>Must be ordered separately.</b> Lead free faucet also available.	
PLUMBING	Drain connection: 1-1/2" NPS male. Hot and cold water connection, 3/8" copper supply tubes	Drain connection: 1-1/2" NPS male. Hot and cold water connection, 1/2" IPS shanks and nuts



TSD END VIEW

*\*Faucet shown for clarity;  
 must be ordered separately*



Form No. SK02  
 Rev. 09.19.2011



8300 West Good Hope Road • Milwaukee, WI 53223 • Phone 414.353.7060 • Fax 414.353.7069  
 Toll Free 800.558.5592 • E-Mail perlick@perlick.com • www.perlick.com

Perlick is committed to continuous improvement. Therefore, we reserve the right to change specifications without prior notice