



Project _____

Item # _____

Quantity _____

Decorative Carving Stations

Models: DCS400-1

DCS400-1CM

DCSB400-R24-1

DCSB400-2420-1

DCSB400-3624-2

Providing proper food serving temperatures, the Decorative Carving Station combines the Hatco Decorative Heat Lamp with the Swanstone® Heated Base to create an attractive carving display. These warmers are perfect for chef stations in restaurants, hotels, country clubs, casinos and catered events.

Standard features

- Available as Post Mount, Counter Mount or Freestanding with a round or rectangular heated stone base
- Patented telescoping adjustable post pivots 30° to put the heat and light where it is needed
- Height can be adjusted from from the bottom of lamp to top of the cutting board:
14" to 26" (356 to 660 mm) for DCSB400-R24-1, -2420-1, -3624-2
16" to 28" (406 to 711 mm) for DCS400-1
16" to 28" (406 to 711 mm) for DCS400-1CM
- DCS400-1 includes a black base for stability and to minimize the risk of tipping
- DCS400-1CM is designed to be permanently mounted to a counter or stable shelf
- Heated base is controlled by an adjustable thermostat and power switch (excludes DCS400-1 and DCS400-1CM)
- Heated stone bases, post bases and cutting boards are made of foodsafe materials
- Sneeze guard is 5" (127 mm) above base for easy accessibility (excludes DCS400-1 and DCS400-1CM)
- Swanstone cutting board matches color of base (excludes DCS400-1 and DCS400-1CM)
- Clear coated, 250 watt bulb(s) included
- Comes with 6' (1829 mm) cord and plug attached
- DCSB400-R24-1, -2420-1, -3624-2 Sneeze guard is removable for easy cleaning



Options (available at time of purchase only)

Post and Lamp Shades Plated Finishes:

- Bright Brass Bright Nickel (standard) Bright Copper
- Antique Brass Antique Bronze

Heated Stone Base, Trim Ring (DCS400-1CM only) and Cutting Board
Swanstone® Decorative Stone Color:

- Gray Granite Bermuda Sand Night Sky (standard)

Accessories

- Coated Red Bulb, 250 Watt (clear coat is standard)



For operation, location and safety information, please refer to the Installation and Operating Manual.



HATCO CORPORATION | P.O. Box 340500 Milwaukee, WI 53234-0500 U.S.A. | (800) 558-0607 | (414) 671-6350



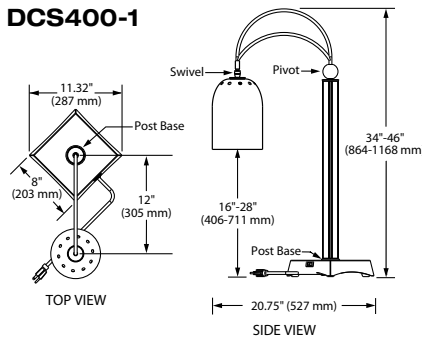
www.hatcocorp.com | support@hatcocorp.com | [Find a Hatco Rep](#) | [Image Library](#) | [Document Library](#) | [Chat](#)



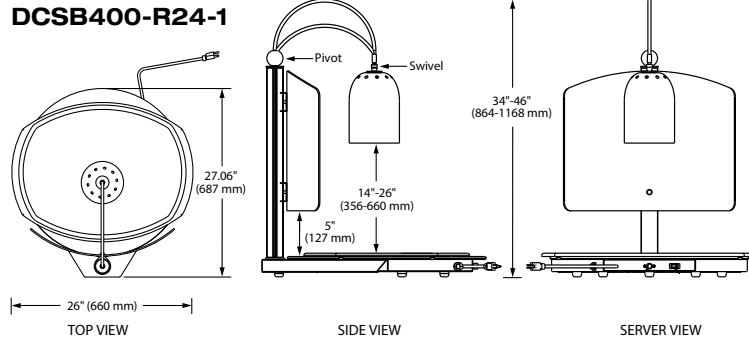
Decorative Carving Stations

Models: DCS400-1, DCS400-1CM, DCSB400-R24-1, DCSB400-2420-1, DCSB400-3624-2

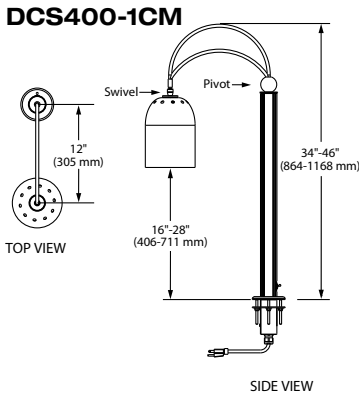
DCS400-1



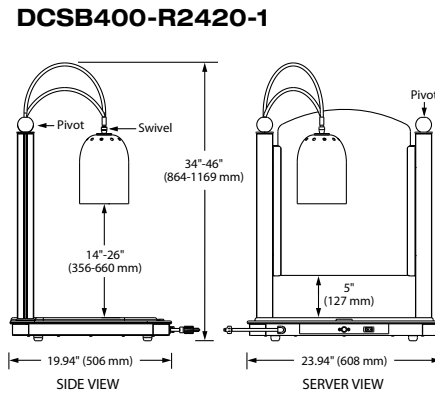
DCSB400-R24-1



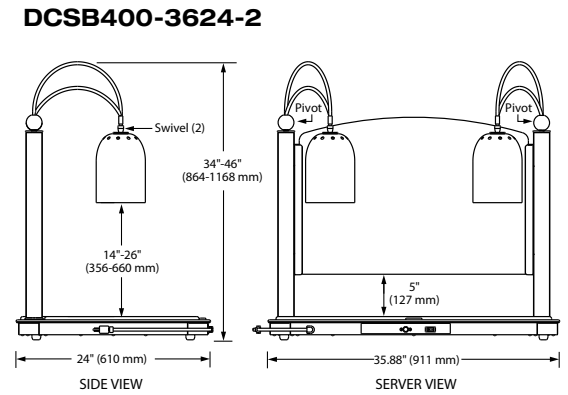
DCS400-1CM



DCSB400-R2420-1



DCSB400-3624-2



SPECIFICATIONS

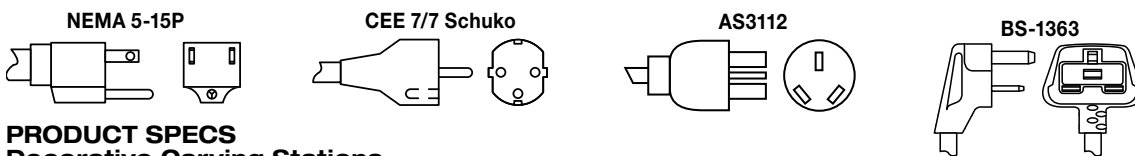
Decorative Carving Stations - All Single Phase

The shaded areas contain electrical information for International models only

Model	Dimensions (W x D x H)	Heated Base Surface (W x D)	Voltage	Watts	Amps	Plug	Cord Location	Ship Weight*
DCS400-1	8" x 20.75" x 34"-46" (203 x 527 x 864-1168 mm)	—	120	250	2.1	NEMA 5-15P	Server side center, base of unit	32 lbs. (15 kg)
			220 (CE)	210	1.0	CEE 7/7 Schuko, AS3112, BS-1363		
			230 (CE)	230				
			240 (CE)	250	1.1			
DCS400-1CM	6.125" x 20.75" x 34"-46" (156 x 527 x 864-1168 mm)	—	120	250	2.1	NEMA 5-15P	Bottom of unit	18 lbs. (9 kg)
			220 (CE)	210	1.0	CEE 7/7 Schuko, AS3112, BS-1363		
			230 (CE)	230				
			240 (CE)	250	1.1			
DCSB400-R24-1	26"W x 27.06"D x 34"-46"H (660 x 687 x 864-1168 mm)	Diameter: 24" (609 mm)	120	600	5.0	NEMA 5-15P	Server side on left, base of unit	75 lbs. (34 kg)
			220 (CE)	530	2.4	CEE 7/7 Schuko, AS3112, BS-1363		
			230 (CE)	580	2.5			
			240 (CE)	631	2.6			
DCSB400-2420-1	23.94" x 19.94" x 34"-46" (608 x 506 x 864-1168 mm)	24" x 20" (609 x 508 mm)	120	750	6.3	NEMA 5-15P	Server side on left, base of unit	82 lbs. (38 kg)
			220 (CE)	667	3.0	CEE 7/7 Schuko, AS3112, BS-1363		
			230 (CE)	730	3.2			
			240 (CE)	794	3.3			
DCSB400-3624-2	35.88" x 24" x 34"-46" (911 x 610 x 864-1168 mm)	36" x 24" (914 x 609 mm)	120	1300	10.8	NEMA 5-15P	Server side on left, base of unit	128 lbs. (60 kg)
			220 (CE)	1152	5.2	CEE 7/7 Schuko, AS3112, BS-1363		
			230 (CE)	1259	5.5			
			240 (CE)	1371	5.7			

* Shipping weight includes packaging.

PLUG CONFIGURATIONS



PRODUCT SPECS Decorative Carving Stations

The Foodwarmer shall be a Decorative Carving Station manufactured by the Hatco Corporation, Milwaukee, WI 53234 U.S.A.

The Decorative Carving Station shall be rated at ... watts, ... volts, single phase, and be ... inches (millimeters) in overall width.

The foodwarmer shall be factory-assembled ready for electrical installation with cutting

board and 6' (1829 mm) cord and plug. Heated base units shall be thermostatically controlled. Options: Post and lamp Plated Finishes, Heated Stone Base colors. Accessories: Coated red 250 Watt Bulb.

Warranty consists of 24/7 parts and service assistance (U.S. and Canada only).

HATCO CORPORATION | P.O. Box 340500 Milwaukee, WI 53234-0500 U.S.A. | (800) 558-0607 | (414) 671-6350

www.hatcocorp.com | support@hatcocorp.com | [Find a Hatco Rep](#) | [Image Library](#) | [Document Library](#) | [Chat](#)