



Project _____
 AIA # _____ SIS # _____
 Item # _____ Quantity _____ C.S.I. Section 114000



84145 Food Cutter



MODEL

- 84145** Food cutter with 14" stainless steel bowl, double cutlery grade stainless steel knives with stainless steel knife comb and 3" stainless steel legs with rubber feet. Available with or without attachment hub.

STANDARD FEATURES

- + ½ H.P. motor
- + 5-pound capacity
- + 14" stainless steel bowl
- + One-piece burnished aluminum housing
- + 1725 RPM knife rotation
- + Bowl cover interlock
- + 22 RPM bowl rotation
- + Double cutlery grade stainless steel knives
- + Pull/push on/off switch
- + 3" stainless steel legs with rubber feet
- + 6' flexible cord and plug

ACCESSORIES

- Vegetable Slicer
- Meat Chopper Attachment

SPECIFIER STATEMENT

Specified unit will be an NSF rated Hobart food cutter with ½ HP motor and 5-pound capacity. Unit features a 14" removable stainless steel bowl, removable stainless steel knives with stainless steel knife comb and 3" stainless steel legs with rubber feet. Bowl rotates at 22 RPMs and knives rotate at 1725 RPM simultaneously to process ingredients.

84145 FOOD CUTTER

Approved by _____ Date _____ Approved by _____ Date _____

SOLUTIONS/BENEFITS

PERFORMANCE

Double Cutlery Grade Stainless Steel Knives

- + Reduces food products to a uniformly small particle size for salads, spreads, breadcrumbs and other recipes
- + Holds an edge longer, resulting in fewer sharpenings

1 H.P. Motor

- + Heavy-duty to meet the most demanding operations

EASE OF USE

Bowl and Knife Rotation

- + Bowl rotates at 22 RPM and knife rotates at 1725 RPM for easy incorporation of ingredients

SANITATION & CLEANING

Removable Bowl Cover, Knives, and Bowl

- + Easily removed without tools to be cleaned in a three-compartment sink

One-Piece Burnished Aluminum Housing

- + One-piece base has no cracks or crevices to allow food product to build up

OPERATOR ASSURANCE

Bowl Cover Interlock

- + Machine cannot be turned on until the bowl cover is locked down into position
- + Bowl cover cannot be raised with the switch in the "ON" position

SPECIFICATIONS

Electrical: 115/60/1 and 230/60/1.

Motor: ½ H.P., fan cooled, permanently lubricated ball bearings and totally enclosed within the machine. Single-phase is capacitor start, induction-run.

Switches: Single-phase is double-pole single throw. The bowl cover and switch are interlocked so that the machine cannot be turned on until the bowl cover is locked in place, nor can the bowl cover be raised with the switch in the "ON" position.

Cord and Plug: 6 foot flexible cord with plug per NEMA configuration.

Bowl: Rotates at 22 RPM. 14¹⁵/₁₆" inside diameter. Forged from a single sheet of stainless steel and easily removed for cleaning.

Knives: Rotate at 1725 RPM. The blades (made of special cutlery grade stainless steel) are secured to a hub as a unit, which may be removed from the knife shaft without change of knife clearance adjustment. Stainless steel knife comb included.

Base: One-piece burnished aluminum casting with plated steel bottom cover (total enclosure).

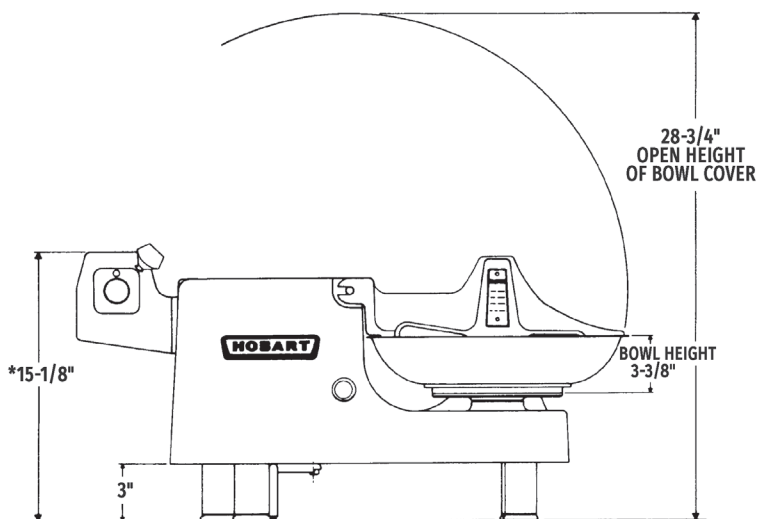
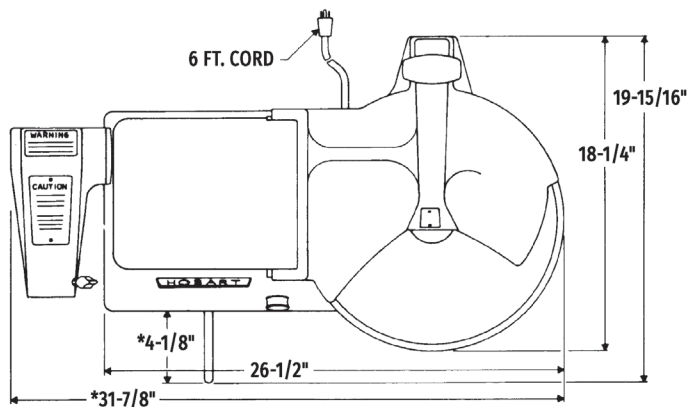
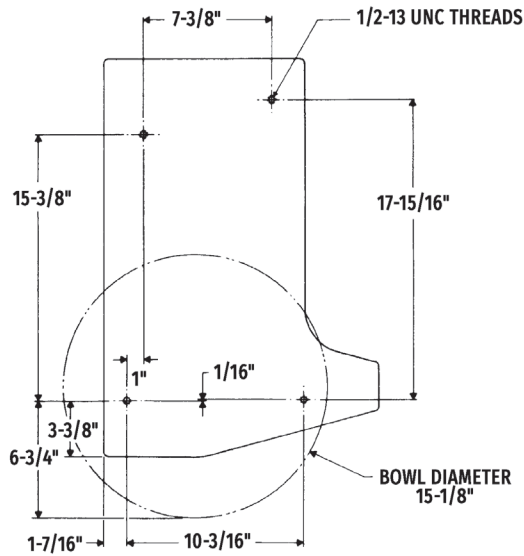
Standard Equipment: Consists of Food Cutter with 18" stainless steel bowl, cutlery grade stainless steel knives with stainless steel knife comb and 3" stainless steel legs with rubber feet.

Optional Attachment Hub: Speed – 256 RPM. Accommodates all Hobart No. 12 attachments.

Accessories: Vegetable Slicer and Meat Chopper Attachment.

Warranty: Unit has full one-year warranty on parts, labor and mileage against manufacturer's defects. Service contracts are available.

Weight: Shipping – 140 lb.; Net – 100 lb.

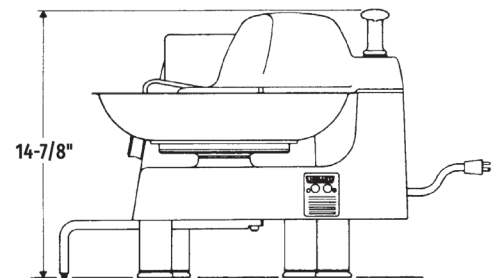


*These dimensions pertain to machines with attachment hub.
If the machine is to be installed without legs the base must be sealed to the supporting surface for NSF approval.

Plugs and Receptacles:

Dependent on local power codes

Machine Voltages			
84145	120/60/1	230/60/1	200-208
Service Current Requirement if Plug Connected	120/60/1	230/60/1	200/60/3 208/60/3
	15 Amp.	15 Amp.	20 Amp.
Terminal Designation of Plug	2 Pole 3 Wire Grdg.	2 Pole 3 Wire Grdg.	4 Pole 5 Wire Grdg.
NEMA Plug Configuration	5-15P	6-15P	L21-20P
Plug Configuration			
Molded Plug on Cord	Yes	Yes	No
Plug - Straight/Angle	Straight	Straight	Straight
NEMA Receptable or Connector Configuration	5-15R	6-15R	L21-20R
Power Cord Included	Yes	Yes	Yes



NOTE: Drawings show Model 84145-1 with optional attachment hub.

WARNING: Electrical and grounding connections must comply with the applicable portions of the National Electrical Code and/or other codes in force.