



# F-801M\_J(-C)

## Modular Ice Machine Slim-Line Series



F-801M\_J(-C)  
08/03/23  
Item # 13037

Item #: \_\_\_\_\_  
 Project: \_\_\_\_\_  
 Qty: \_\_\_\_\_  
 AIA#: \_\_\_\_\_

**W x D x H**  
22" x 27<sup>3/8</sup>" x 26"

Shipping Dimensions  
32" x 26<sup>1/2</sup>" x 32"

**F-801MAJ** ★  
Air-Cooled Flaker


**F-801MWJ**  
Water-Cooled Flaker

**F-801MAJ-C** ★  
Air-Cooled Cubelet

**F-801MWJ-C**  
Water-Cooled Cubelet



## Features

- ▶ Durable stainless steel exterior
- ▶ Advanced CleanCycle24™ design 
- ▶ Stainless steel auger with greaseless bearing
- Flaker - Up to 751 lbs. of ice production per 24 hours
- Cubelet - Up to 690 lbs. of ice production per 24 hours
- Mount two units, side-by-side, in only 44" of floor space for double the amount of ice production
- 2 second flush cycle every hour
- Flush cycle removes sediment for cleaner ice
- Infrared bin control for easy cleaning and reliability
- R-404A Refrigerant

### Available on Bins:

**B-250SF**   **B-500SF**   **B-800SF**   **B-1150SS**   **B-1500SS\***  
**B-300SF**   **B-700SF**   **B-900SF**   **B-1300SS**   **B-1650SS\***

*Top kit may be required. See Bin Spec Sheets. \*Two unit application only.*

### Warranty:

3 Year Parts & Labor on entire machine. 5 Year Parts on Compressor; air-cooled condenser coil. Valid in United States, Canada, Puerto Rico and U.S. Territories. Contact factory for warranty in other countries.

Shipping: (LxWxH) 32" x 26.5" X 32" Volume: 15.7ft<sup>3</sup>



### ICE PRODUCTION      WATER USAGE      ELECTRICAL

Condenser	Model	Air / Water Temp		Potable		kWh Used	Min. Circuit/ Max. Fuse	Amperage	Voltage	Circuit Wires	Heat Rejection	Refrigerant Charge Amount	Net / Ship Weight (lbs.)
		Lbs. per 24 hours 70°/ 50°F    90°/ 70°F	Lbs. per 24 hours 70°/ 50°F    90°/ 70°F	Gal. per 100 lbs. 90°/ 70°F	Gal. per 100 lbs. 90°/ 70°F								
Air	F-801MAJ	751	566	12.0	N/A	4.5	15A	11.8A	115V/60/1	3	5,900	1 lbs. 12 oz.	176 / 205
Water	F-801MWJ	680	605	12.0	119	3.9	15A	11.8A	115V/60/1	3	6,200	10.6 oz.	176 / 205
Air	F-801MAJ-C	690	532	12.0	N/A	5.0	15A	11.8A	115V/60/1	3	5,000	1 lbs. 12 oz.	176 / 205
Water	F-801MWJ-C	632	580	12.0	120	4.13	15A	11.5A	115V/60/1	3	6,000	10.6 oz.	176 / 205

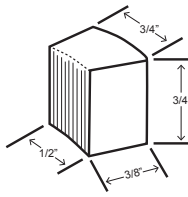
*Power cord not included. Must be hard-wired at site.*

### Cube Dimensions\*

**Flaked**  
F-801MAJ



**Cubelet**  
F-801MAJ-C



\* approximate size in inches, image not to scale

### Operating Limits

- Ambient Temp Range 45 - 100°F
- Water Temp Range 45 - 90°F
- Water Pressure 10 - 113 PSIG
- Voltage Range 104-127V
- If GFCI is required, a GFCI breaker MUST be used in lieu of GFCI receptacle

### Service

- Panels easily removed and all components accessible for service.
- Removable/cleanable air filter (Air-cooled model only)
- Allow 6" (15 cm) clearance at rear and sides, and 24" (61 cm) clearance at top for proper air circulation and ease of maintenance/service.

### Plumbing

- Icemaker Water Supply Line: Minimum 1/4" Nominal ID Copper Water Tubing or Equivalent
- Icemaker Drain Line: Minimum 3/4" Nominal ID Hard Pipe or Equivalent

### Water-Cooled Model (Lines Must Be Independent of Icemaker)

- Condenser Water Supply Line: Minimum 1/4" Nominal ID Copper Water Tubing or Equivalent
- Condenser Drain/Return Line: Minimum 1/4" Nominal ID Hard Pipe (open drain system) or Copper Water Tubing (closed loop system) or Equivalent

Hoshizaki reserves the right to change specifications without notice.



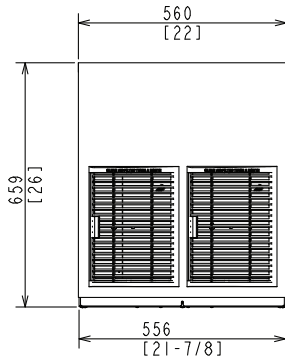
# F-801M\_J(-C)

Modular Ice Machine  
Slim-Line Series



F-801M\_J(-C)  
08/03/23  
Item # 13037

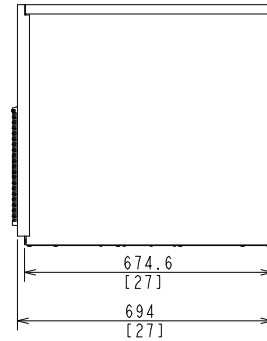
FRONT VIEW



AIR-COOLED  
WATER-COOLED

SIDE VIEW

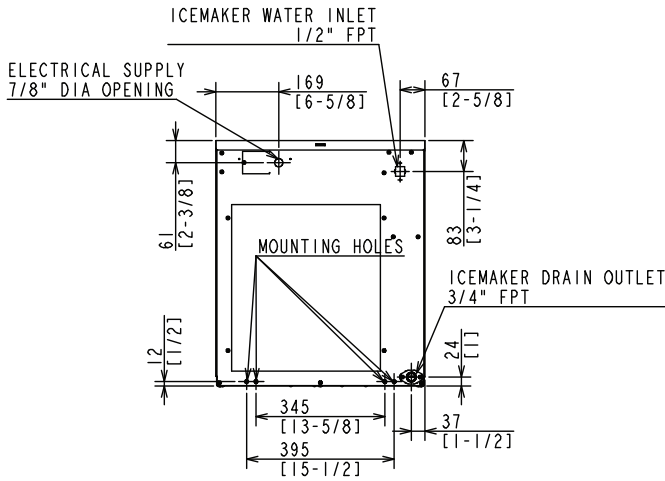
Front  
↓



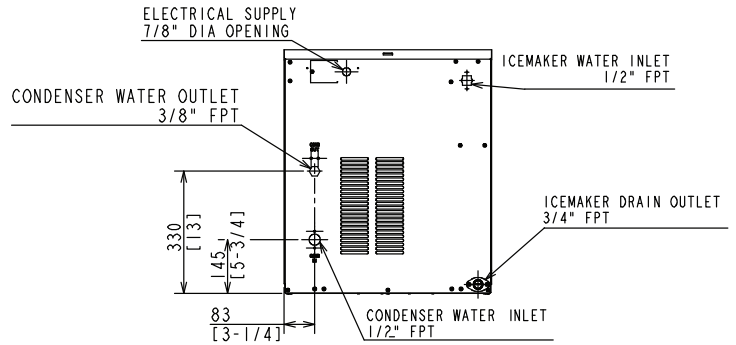
AIR-COOLED  
WATER-COOLED

mm  
[inch]

REAR VIEW

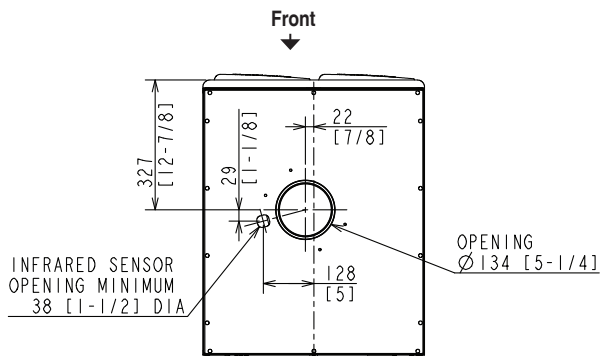


AIR-COOLED



WATER-COOLED

BOTTOM VIEW



AIR-COOLED  
WATER-COOLED