



HR15A-G

Compact Undercounter Glass Door Reach-in Refrigerator



HR15A-G
09/29/23
Item # 13601

W x D x H

14.8" x 25.75" x 31.5"

ADA Compliant 



Item #: _____

Project: _____

Qty: _____

AIA#: _____

Features

► **Stainless steel exterior front, sides and top with interior stainless steel**

► **UL approved for outdoor use**


► **Interior LED lighting**

- Field reversible door with lock
- Magnetic door gasket is easily removable for cleaning
- Stainless steel door with stay open feature
- Environmentally friendly insulation
- Electronic controls with LED temperature display
- Automatic time-initiated defrost
- (2) Stainless steel adjustable 1.41" shelves that slide out
- Four adjustable legs up to 1"
- 9 ft. cord and 5-15P NEMA plug

Shelf Capacity: (18) 20oz. Bottles



Dimensions / Capacity	One Section HR15A-G
Interior Storage Capacity (CF) (AHAM)	2.54 ft ³
Overall Width x Depth (including handle)	14.8" x 25.75"
Height	31.5"
Depth with Door Open at 90°	37.25"
Adjustable Shelves	2
Shelf Dimensions (W x D)	(2) 10" x 20"
Crated Weight	115 lbs.
Crated Shipping Dimensions (LxWxH)	30.6" x 18.75" x 37"

Electrical / Refrigeration	One Section HR15A-G
Voltage	115/60/1
HACR Breaker	15.0 Amps
Electrical Connection (NEMA)	5-15P 
Voltage Range	104-127
Ambient Temp. Range	45° to 90°F
Control Setpoint Range	28° to 40°F
Amperage	0.9
Energy Consumption (kWh/day) @ASHRAE	0.54
Heat Rejection (BTU/Hr.) @NSF	145
Approx. Nominal Compres. BTU/HR (HP)	222 (1/10HP)
Refrigerant (charge amount, oz.)	R600a (0.53 oz.)

Options

Warranty

3 Year - parts and Labor on entire machine.
 5 Year - Parts on Compressor
 Valid in United States, Canada, Puerto Rico and U.S. Territories. Contact factory for warranty in other countries.

Cabinet clearance:

Front breathing. Ventilation is required from the bottom front of the appliance. Keep this area open and clear of obstructions. Adjacent cabinets and counter tops can be installed around the appliance as long as the front grille remains unobstructed.

If GFCI is required, a GFCI breaker MUST be used in lieu of GFCI receptacle

Hoshizaki reserves the right to change specifications without notice.

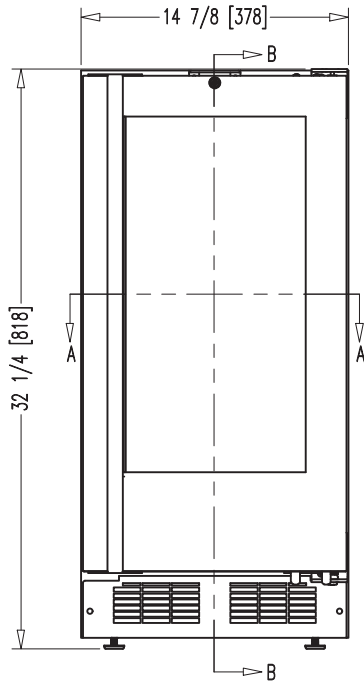


HR15A-G

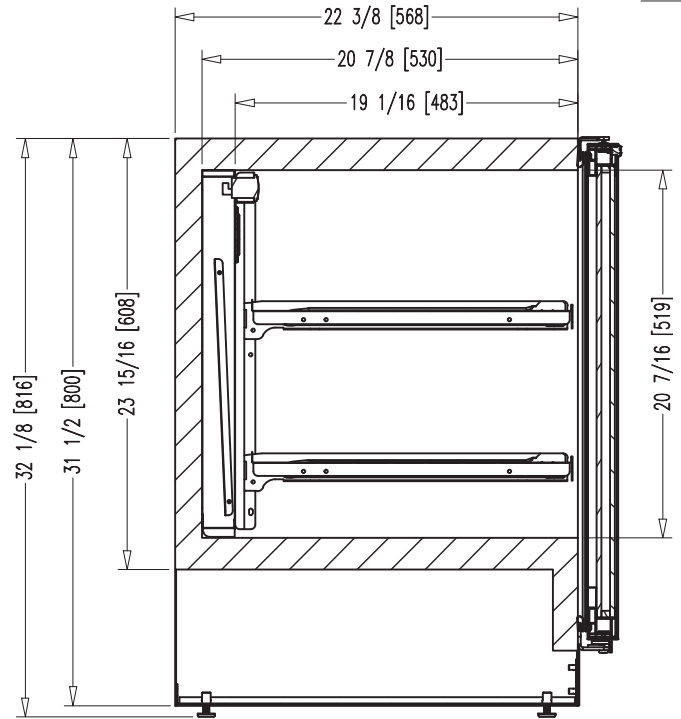
Compact Undercounter Glass Door Reach-in Refrigerator

HR15A-G
09/29/23
Item # 13601

FRONT VIEW



SIDE VIEW



inch [mm]

PLAN VIEW

