



IM-500SAB

STACKABLE SQUARE CUBER



IM-500SAB
10/10/24
Item # 13553


W x D x H
44" x 27^{5/8}" x 21^{3/4}"*

IM-500SAB
Air-Cooled
Shown on optional bin B-700



Features

- ▶ Individual square cube
- ▶ Durable stainless steel exterior
- ▶ Stackable for up to three times the ice production in the same floor space

- Up to 489 lbs. of ice production per 24 hours
- Stack 2 units high for 489 x 2 = 978 lbs. per 24 hours for 2 times the ice production in the same floor space (Stacking kit: HS-5530 required)
- Stack 3 units high for 489 x 3 = 1467 lbs. per 24 hours for 3 times the ice production in the same floor space (Two stacking kits: HS-5530 required)
- EverCheck™ alert system 
- R-404A Refrigerant

Available on Bins:

B-700 B-900 B-1300 B-1650
B-800 B-1150 B-1500

*Top kit may be required. See Bin Spec Sheets.
Not recommended for use on large upright bins.*

Warranty:

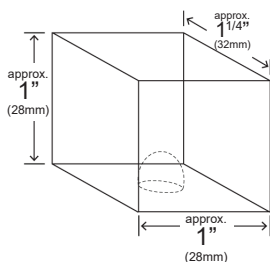
3 Year Parts & Labor on entire machine. 5 Year Parts on Compressor; air-cooled condenser coil.
Valid in United States, Canada, Puerto Rico and U.S. Territories. Contact factory for warranty in other countries.

Shipping: (LxWxH) 48" x 32" X 27.9" **Volume: 24.8ft³**



Condenser	Model	ICE PRODUCTION		WATER USAGE			ELECTRICAL					Net / Ship Weight (lbs.)	
		Air / Water Temp Lbs. per 24 hours 70°/50°F 90°/70°F		Potable Gal. per 100 lbs. 90°/70°F	Condenser Gal. per 100 lbs. 90°/70°F	kWh Used per 100 lbs. 90°/70°F	Min. Circuit/ Max. Fuse Size	Amperage	Voltage	Circuit Wires (including ground)	Heat Rejection BTU/hr.		Charge Amount
Air	IM-500SAB	489	414	23.0	N/A	5.8	20A	11.5A	115V/60/1	3	4,500	1 lb. 10.5oz	196 / 234

IM Cube Dimensions†



† approximate size; image not to scale

Operating Limits

- Ambient Temp Range 45 - 100°F
- Water Temp Range 45 - 90°F
- Water Pressure 10 - 113 PSIG
- Voltage Range 104 - 127V
- If GFCI is required, a GFCI breaker MUST be used in lieu of GFCI receptacle

Service

- Removable/cleanable air filters on front and right side
- Panels easily removed and all components accessible for service.

Plumbing

- Icemaker Water Supply Line: Minimum 1/4" Nominal ID Copper Water Tubing or Equivalent
- Icemaker Drain Line: Minimum 3/4" Nominal ID Hard Pipe or Equivalent

Clearance

- Allow 6" clearance at rear, left side, top and 12" clearance at right side for proper air circulation and ease of maintenance/service.

Water Filter

Please refer to water filter specification sheet for recommendations.

Hoshizaki reserves the right to change specifications without notice.



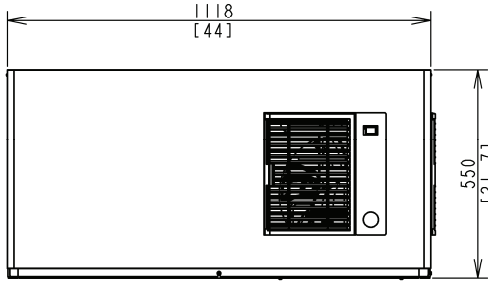
IM-500SAB

STACKABLE SQUARE CUBER

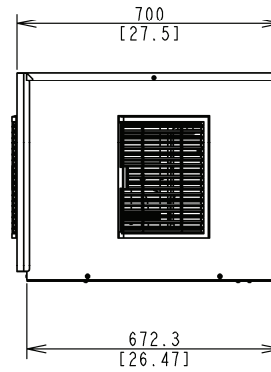


IM-500SAB
10/10/24
Item # 13553

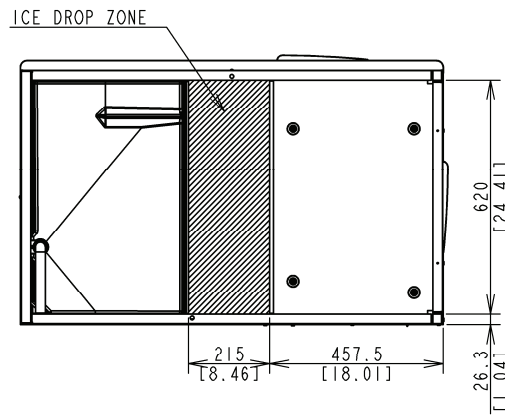
FRONT VIEW



SIDE VIEW



BOTTOM VIEW



REAR VIEW

