



# KM-1340M\_J(Z)(3)

MODULAR CRESCENT CUBER



KM-1340M\_J(Z)(3)  
07/02/24  
Item # 13249

Item #: \_\_\_\_\_  
Project: \_\_\_\_\_  
Qty: \_\_\_\_\_  
AIA#: \_\_\_\_\_

W x D x H  
30" x 27<sup>3/8</sup>" x 41<sup>1/2</sup>"

## KMEDGE™

**KM-1340MAJ** ★  
Air-Cooled 1 Phase  
Shown on optional bin: B900


**KM-1340MWJ**  
Water-Cooled 1 Phase


**KM-1340MRJZ**  
Remote Air-Cooled 1 Phase

**KM-1340MRJZ3** ★  
Remote Air-Cooled 3 Phase



## Features

- ▶ Individual crescent cube
- ▶ Stainless steel evaporator
- ▶ CycleSaver™ design 

- Up to 1428 lbs. of ice production per 24 hours
- Mount two units, side-by-side, in only 60" of floor space for double the amount of ice production
- Durable stainless steel exterior
- EverCheck alert system 
- Removable air filters (Air-cooled model only)
- R-404A Refrigerant

### Available on Bins:

**B-500SF B-800SF B-1150SS B-1500SS**  
**B-700SF B-900SF B-1300SS B-1650SS**

Top kit may be required. See Bin Spec Sheets.

### Warranty:

3 Year Parts & Labor on entire machine. 5 Year Parts & Labor on Evaporator. 5 Year Parts on Compressor; air-cooled condenser coil. Valid in United States, Canada, Puerto Rico and U.S. Territories. Contact factory for warranty in other countries.

Shipping: (LxWxH) 33.5" x 33.25" X 48" Volume: 30.94ft<sup>3</sup>



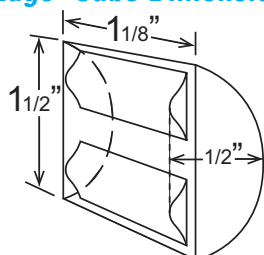
| Condenser | Model  | ICE PRODUCTION                                             |                                          | WATER USAGE                                |                                      | ELECTRICAL                         |          |         |                                        |                              |                              |                             |                                    |           |
|-----------|--------|------------------------------------------------------------|------------------------------------------|--------------------------------------------|--------------------------------------|------------------------------------|----------|---------|----------------------------------------|------------------------------|------------------------------|-----------------------------|------------------------------------|-----------|
|           |        | Air / Water Temp<br>Lbs. per 24 hours<br>70°/50°F 90°/70°F | Potable<br>Gal. per 100 lbs.<br>90°/70°F | Condenser<br>Gal. per 100 lbs.<br>90°/70°F | kWh Used<br>per 100 lbs.<br>90°/70°F | Min. Circuit/<br>Max. Fuse<br>Size | Amperage | Voltage | Circuit<br>Wires<br>(including ground) | Heat<br>Rejection<br>BTU/hr. | Refrigerant<br>Charge Amount | Net / Ship<br>Weight (lbs.) |                                    |           |
| 1 Phase   | Air    | KM-1340MAJ                                                 | 1275                                     | 1089                                       | 23.6                                 | N/A                                | 4.81     | 20A     | 13.2A                                  | 208-230V/60/1                | 4*                           | 21,000                      | 4 lbs. 10.1 oz.                    | 285 / 315 |
|           | Water  | KM-1340MWJ                                                 | 1323                                     | 1280                                       | 17.8                                 | 128.5                              | 3.60     | 20A     | 11.0A                                  | 208-230V/60/1                | 4*                           | 18,500                      | 2 lbs. 1.5 oz.                     | 285 / 315 |
|           | Remote | KM-1340MRJZ                                                | 1371                                     | 1177                                       | 17.5                                 | N/A                                | 4.54     | 20A     | 14.0A                                  | 208-230V/60/1                | 4*                           | 19,900                      | 6 lbs. 9.8 oz.<br>11 lbs. 0.4 oz.† | 259 / 289 |
| 3 Phase   | Remote | KM-1340MRJZ3                                               | 1428                                     | 1266                                       | 17.5                                 | N/A                                | 4.12     | 20A     | 12.5A                                  | 208-230V/60/3                | 4                            | 18,000                      | 6 lbs. 9.8 oz.<br>11 lbs. 0.4 oz.† | 259 / 289 |

\*If neutral is not available transformer kit (HS-5030) is required. Refer to instruction manual for installation and electrical requirements.

†(with condenser)

Power cord not included. Must be hard-wired at site.

## KMEdge™ Cube Dimensions\* Operating Limits



\* approximate size in inches, image not to scale

- Ambient Temp Range 45 - 100°F
- Water Temp Range 45 - 90°F
- Water Pressure 10 - 113 PSIG
- Voltage Range 187 - 253V
- If GFCI is required, a GFCI breaker MUST be used in lieu of GFCI receptacle

### Service

- Panels easily removed and all components accessible for service.
- Allow 6" (15cm) clearance at rear, sides, and top for proper air circulation and ease of maintenance/service.

## Plumbing

- Icemaker Water Supply Line: Min. 3/8" Nominal ID Copper Water Tubing or Equivalent
- Icemaker Drain Line: Min. 3/4" Nominal ID Hard Pipe or Equivalent Water-Cooled Model (Lines Must Be Independent of Icemaker)
- Condenser Water Supply Line: Min. 3/8" Nominal ID Copper Water Tubing or Equivalent
- Condenser Drain/Return Line: Min. 3/8" Nominal ID Hard Pipe (open drain system) or Copper Water Tubing (closed loop system) or Equivalent

## Water Filter

Please refer to water filter spec sheet for recommended configurations.

Hoshizaki reserves the right to change specifications without notice.



# KM-1340M\_J(Z)(3)

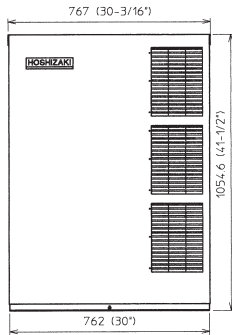
## MODULAR CRESCENT CUBER

KM-1340M\_J(Z)(3)

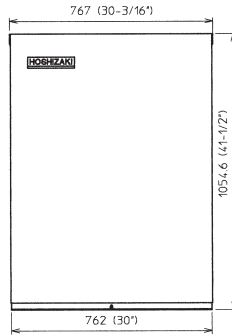
07/02/24

Item # 13249

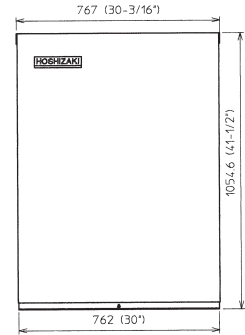
FRONT VIEW



AIR-COOLED

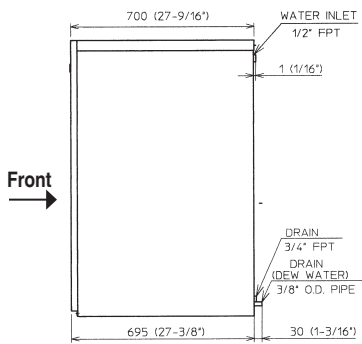


WATER-COOLED

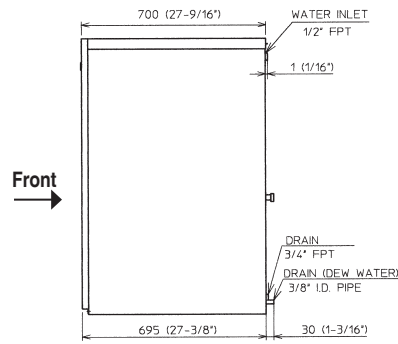


REMOTE AIR-COOLED

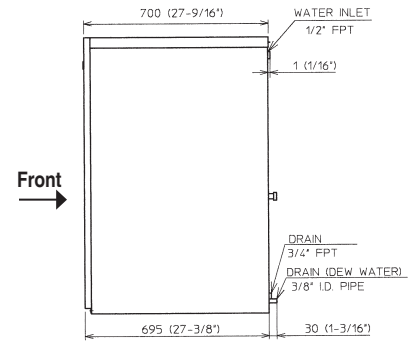
SIDE VIEW



AIR-COOLED

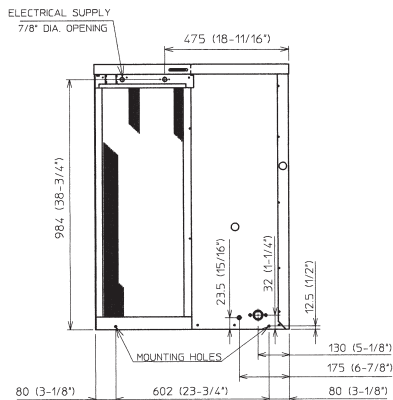


WATER-COOLED

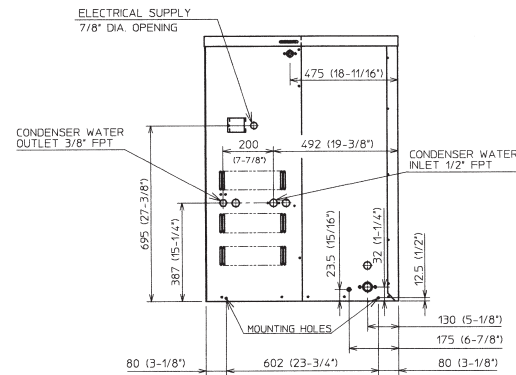


REMOTE AIR-COOLED

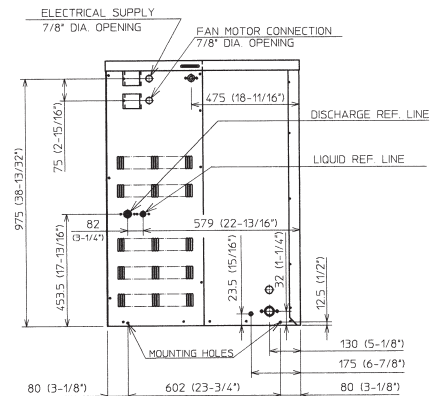
BACK VIEW



AIR-COOLED

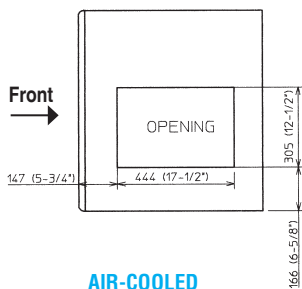


WATER-COOLED



REMOTE AIR-COOLED

BOTTOM VIEW



AIR-COOLED  
WATER-COOLED  
REMOTE AIR-COOLED

**Brazed Line Sets (Sold Separately)**  
25' HS-5604  
35' HS-5605  
55' HS-5606



Voltage supply for the URC Remote Condenser is supplied from the Ice Maker. No additional circuit is required.

**URC-14FZ Remote Condenser (Sold Separately)**  
(W x D x H) 35 11/16 x 14 1/16 x 36 1/2

For Use with KM-1340MRJZ(3)

