



# KM-161BAK

SELF-CONTAINED CUBER  
WITH BUILT-IN STORAGE BIN

# KM|EDGE™



KM-161BAK  
05/20/26  
Item # 13551K

**W x D x H**  
**23<sup>3/4</sup>" x 28" x 38<sup>5/8</sup>" \***  
\*including 6" legs

ADA Compliant

**KM-161BAK ★**  
Air-Cooled



## Features

- ▶ Individual crescent cube
- ▶ Environmentally friendly R290 hydrocarbon refrigerant
- ▶ Stainless steel evaporator

- CycleSaver™ design
- Up to 156 lbs. of ice production per 24 hours
- Built-in storage capacity of 2.6ft<sup>3</sup>/78 lbs.\*
- Durable stainless steel exterior
- Front-in, front-out airflow with removable air filter
- Slide in door
- 6.5 ft. (2000 mm) power cord with NEMA 5-15P plug
- Power switch accessible without panel removal
- Built-in installation possible
- EverCheck™ alert system

### Warranty:

3 Year Parts & Labor on entire machine. 5 Year Parts & Labor on Evaporator. 5 Year Parts on Compressor; air-cooled condenser coil. Valid in United States, Canada, Puerto Rico and U.S. Territories. Contact factory for warranty in other countries.

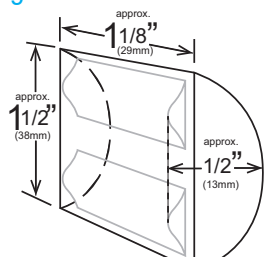
Shipping: (LxWxH) 31" x 27" X 39"    Volume: 18.89ft<sup>3</sup>



### ICE PRODUCTION      WATER USAGE      ELECTRICAL

Condenser	Model	Air / Water Temp		Potable		Condenser		kWh Used	Min. Circuit/ Max. Fuse Size	Amperage	Voltage	Heat Rejection BTU/hr.	Refrigerant Charge Amount	Net / Ship Weight (lbs.)
		Lbs. per 24 hours	70°/50°F	90°/70°F	Gal. per 100 lbs.	90°/70°F	Gal. per 100 lbs.							
Air-Cooled	KM-161BAK	156	125	22.0	N/A	5.5	15A	3.5A	115V/60/1	2,800	3.9 oz.	126 / 161		

## KMEdge™ Cube Dimensions\*



\* approximate size in inches, image not to scale

## Operating Limits

- Ambient Temp Range 45 - 100°F
- Water Temp Range 45 - 90°F
- Water Pressure 10 - 113 PSIG
- Voltage Range 108 - 122V
- If GFCI is required, a GFCI breaker MUST be used in lieu of GFCI receptacle

## Service

- Allow enough space at rear for water supply and drain connections, at least 12" (30 cm) clearance at front and at least 0.6" (15 mm) clearance at top for maintenance.

## Plumbing

- Icemaker Water Supply Line: Minimum 1/4" Nominal ID Copper Water Tubing or Equivalent
- Icemaker Drain Line: Minimum 3/4" Nominal ID Hard Pipe or Equivalent

## Water Filter

Please refer to water filter spec sheet for recommended configurations.

Hoshizaki reserves the right to change specifications without notice.



# KM-161BAK

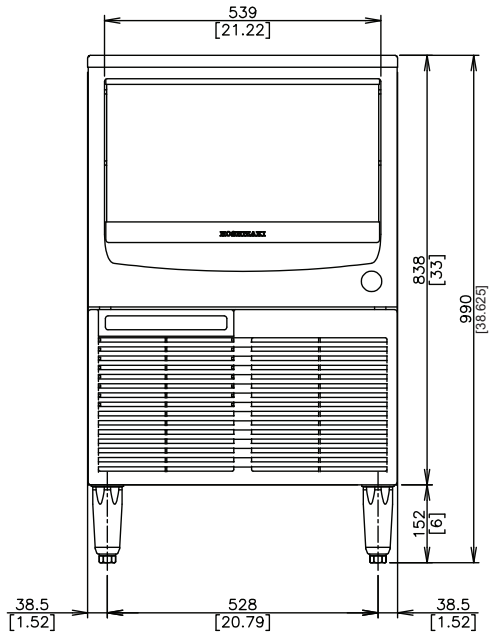
**SELF-CONTAINED CUBER  
WITH BUILT-IN STORAGE BIN**

**KM|EDGE™**

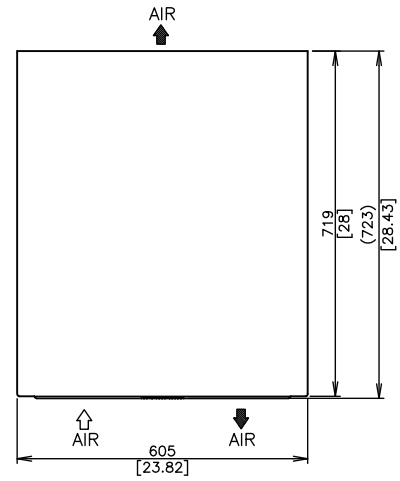
KM-161BAK  
05/20/26  
Item # 13551K

mm  
[inch]

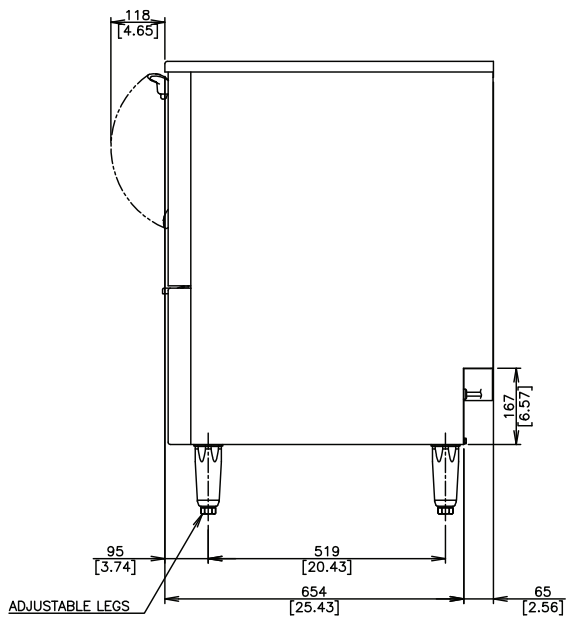
**FRONT VIEW**



**TOP VIEW**



**SIDE VIEW**



**REAR VIEW**

