



# RM-7-HC

## Glass Door Merchandiser with Swing Door



RM-7-HC  
04/01/24  
Item # 13408

Item #: \_\_\_\_\_  
 Project: \_\_\_\_\_  
 Qty: \_\_\_\_\_  
 AIA#: \_\_\_\_\_

**W x D x H**  
21" x 25.25" x 39"



**RM-7-HC**



**RM-7-HC-BLK**



**RM-7-HC-WHT**



ANSI / NSF 7



### Dimensions / Capacity

### One Section RM-7-HC

Interior Storage Capacity (CF)	7 ft <sup>3</sup>
Overall Width x Depth	21" x 25.25"
Depth with door open	44.88"
Height	39"
Adjustable Shelves	2 adjustable, 1 floor shelf
Shelf Dimensions (W x D)	17.75" x 20.75"
Floor Shelf Dimensions (W x D)	18" x 9.25"
Crated Shipping Weight	180 lbs.
Crated Width x Depth x Height	28" x 24.5" x 44"
<b>Electrical / Refrigeration</b>	
Voltage	115/60/1
HACR Breaker	15.0 Amps
Electrical Connection (NEMA)	5-15P Ⓢ
Voltage Range	104-126
Ambient Temp. Range	60° to 86°F
Control Setpoint Range	32° to 39°F
Amperage	3.2
Energy Consumption (kWh/day) @ASHRAE	1.38
Approx. Nominal Compres. BTU/HR (HP)	582 (1/8HP)
Refrigerant	R290

### Options

- Floor Epoxy Shelf (HS-5344)
- Epoxy Shelf (HS-5343)

### Warranty

3 Year - parts and Labor on entire machine.  
 5 Year - Parts on Compressor  
 Valid in United States, Canada, Puerto Rico and U.S. Territories. Contact factory for warranty in other countries.

## Features

- ▶ Curved vertical corners with silver/black/white aluminum exterior provide enhanced product display
- ▶ Energy efficient vertical LED interior lights illuminate products on display
- ▶ Forced-air evaporator for quick temperature pull-down

- Large glass door are energy efficient low E multi pane glass
- Spring assisted self-closing door with stay open feature
- (3) epoxy coated wire shelves are standard
- Stackable (three units high) to conserve warehouse floor space
- Refrigerant flow is controlled with a capillary tube
- 2 inch leveling legs standard
- Three years parts and labor warranty
- Five year compressor warranty
- 8 ft. cord and plug
- Exterior finish available in silver, white, and black

Capacity:  
 20 oz. bottles: 102  
 12 oz. bottles: 217

Container Qty: 144

If GFCI is required, a GFCI breaker MUST be used in lieu of GFCI receptacle

*Hoshizaki reserves the right to change specifications without notice.*

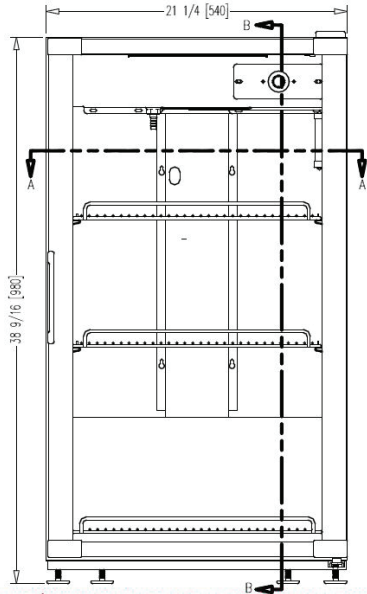


# RM-7-HC

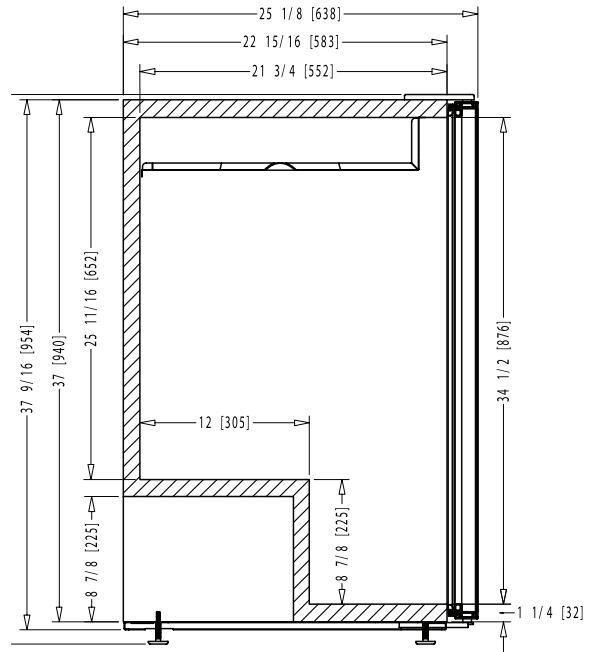
Glass Door Merchandiser with Swing Door

RM-7-HC  
04/01/24  
Item # 13408

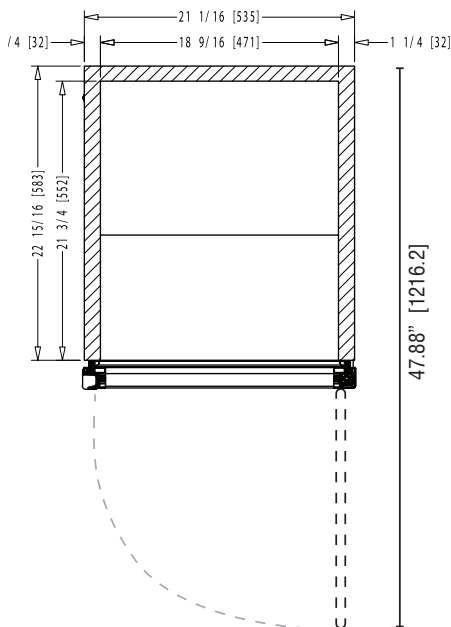
## FRONT VIEW



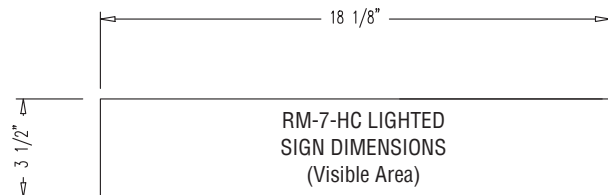
## SIDE VIEW



## PLAN VIEW



## HEADER DIMS



### Graphic Requirements:

- 360 dpi resolution. Scale 1=1
- Colors for CMYK process
- Image with 1/4" of excess by side
- Graphics must be saved in photoshop (with layers)  
- (or your sign company file type requirements)
- Include a full color print out

### Material Requirements:

- 3M exterior grade UV resistant vinyl adhesive

Note: Texts and important parts of the image should be within the visible area. The visible area is illustrated by dotted lines when it applies.