



UR60B-LPD2

Undercounter 60" Low Profile Refrigerator with One Door and Two Drawers



UR60B-LPD2
10/29/24
Item # 13717

W x D x H

60" x 30" x 31.9"*
*with 2.25" casters

Item #: _____

Project: _____

Qty: _____

AIA#: _____



Features

► Specifically designed to fit under an ADA compliant 34" work surface height counter



► Engineered to maintain NSF-7 temperatures in 100°F ambient

► Stainless steel exterior front, sides and top with stainless steel interior sides, back, and floor

- Environmentally friendly R290 hydrocarbon refrigerant

- Cabinet and drawers are insulated with 2" CFC free, foamed in place polyurethane

- Drawer slides are constructed of 16 gauge stainless steel with acetal rollers

- Drawer frames are formed of 14 gauge stainless steel and securely fastened in the cabinet

- Top drawers will accommodate (1) 12 x 20 full size pan and (2) ¼ size pans. Bottom drawer will accommodate (1) full size pan

- Top and bottom drawers allow for 6" deep pans

- Extruded aluminum flush mount drawer handle

- Magnetic drawer gasket is easily removable for cleaning

- Drawers have a 175 lb. dynamic load rating

- Exclusive "stepped" door design to protect door gasket

- Spring assisted self-closing door with stay open feature

- Extruded aluminum flush mount door handle

- Field reversible door

- Hot gas condensate removal

- E-coated evaporator coil

- Standard with 2.25" casters (two with brakes)

- 10 ft. cord and plug



Dimensions / Capacity

Interior Storage Capacity (CF) (AHAM)

Two-Section UR60B-LPD2

15.1 ft³

Overall Width x Depth (including 1" bumper)

60" x 31"

Height (including 2.25" casters)

31.9"

Drawer Opening Width x Height

25.5" x 23"

Depth with Door Fully Open (including 1" bumper)

57.5"

Depth with Drawer Fully Open (including 1" bumper)

51"

Crated Weight

292 lbs.

Crated Length x Width x Height

62.5" x 34" x 35.5"

Electrical / Refrigeration

Two-Section UR60B-LPD2

Voltage

115/60/1

HACR Breaker

15.0 Amps

Electrical Connection (NEMA)

5-15P Ⓡ

Voltage Range

104-126

Ambient Temp. Range

45° to 100°F

Control Setpoint Range

32° to 52°F

Amperage

3

Energy Consumption (kWh/day) @ASHRAE

0.94

Heat Rejection (BTU/Hr.) @NSF

249

Approx. Nominal Compres. BTU/HR (HP)

1354(1/5HP)

Refrigerant / Charge Amount (oz)

R290 (2.3 oz)

Options

- 4" Casters (HS-5035, set of 4)
- 6" Casters (HS-5036, set of 4)
- Door locks (factory request)
- Foot pedal kit (HS-5555, Lft hinge)
- Foot pedal kit (HS-5556, Rt hinge)
- Stainless steel back panel (factory request)

- Overshelves (HS-5174 single)
- Overshelves (HS-5165 double)
- Drawer divider bar (HS-4007, vertical)
- Drawer divider bar (HS-5433 horizontal)
- Addtl. Epoxy Shelves (HS-5108, 1pk)
- Addtl. Stainless Shelves (HS-5118, 1pk)



Valid in United States, Canada, Puerto Rico and U.S. Territories. *Please visit hoshizakiamerica.com/support/warranty/ for more information.

If GFCI is required, a GFCI breaker MUST be used in lieu of GFCI receptacle

Hoshizaki reserves the right to change specifications without notice.



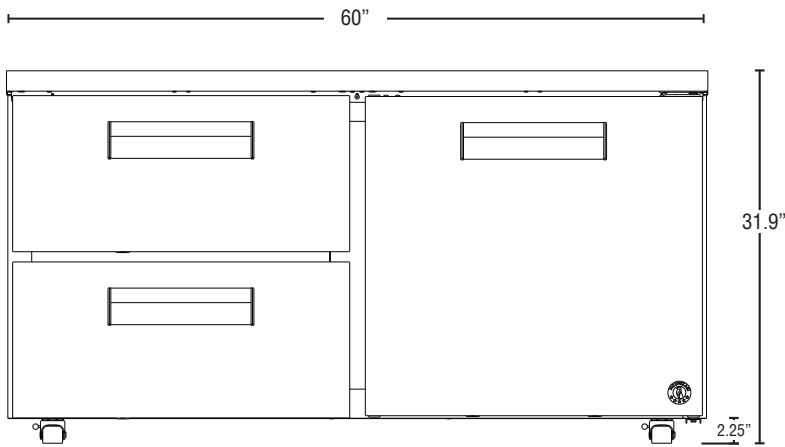
UR60B-LPD2

Undercounter 60" Low Profile Refrigerator
with One Door and Two Drawers

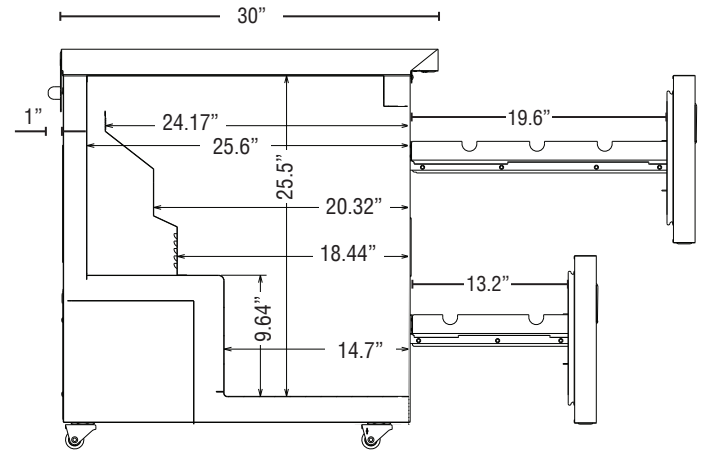


UR60B-LPD2
10/29/24
Item # 13717

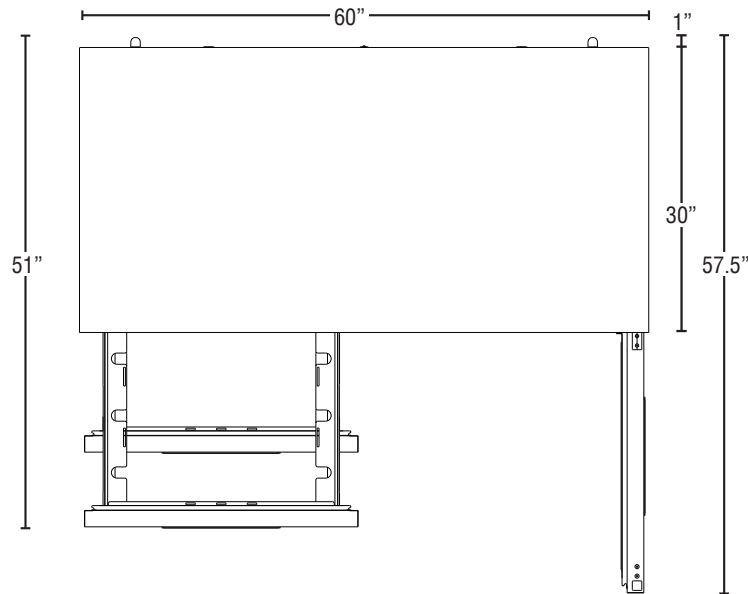
FRONT VIEW



SIDE VIEW



PLAN VIEW



Cabinet Construction

The exterior cabinet top, front, and sides, are constructed of high quality stainless steel. The exterior back and bottom are constructed of coated steel. The cabinet interior features stainless steel back, sides, and floor with an ABS top. One heavy duty epoxy coated shelf per section is standard. Mounted on anodized aluminum pilasters the shelves are adjustable in 1/2" increments. Cabinet walls are insulated with 2" CFC free, foamed in place polyurethane. 2.25" polyolefin, stem casters (two with brakes) are standard.

Drawer Construction

Drawer fronts are constructed of high grade stainless steel inside and out and drawers are insulated with 2" free foamed in place polyurethane. Drawer frames are formed of 14 gauge stainless steel and securely fastened in the cabinet. The drawer slides are 16 gauge stainless steel with acetal rollers to prevent metal to metal contact between the drawer slides and reduce wear. The drawer slides have a dynamic load capacity of 175 lbs. and have been life tested (fully loaded) three hundred thousand openings and closings without showing significant wear. The flush mount handles are constructed of extruded aluminum. Snap-in magnetic drawer gaskets are durable and easily removed for cleaning. The bottom drawer will accommodate (1) full size pan and the top drawer will accommodate (1) 12x20 full size pan & (2) 1/4 size pans. The top and bottom drawers will accommodate 6" deep pans. Full size pans can be oriented in the top drawer front-to-back or left-to-right. If oriented front-to-back, drawer comes standard with drawer divider. If top drawer pans are oriented left-to-right, then HS-5433 is required for this configuration.

Door Construction

Doors are constructed of high grade stainless steel exterior with an ABS interior liner and are insulated with 2" CFC free, foamed in place polyurethane. Hoshizaki's exclusive "stepped" design protects the gasket while product is removed from the cabinet. Doors are provided with a one piece, extruded aluminum, flush mount handle. Spring assisted self-closing doors are equipped with a stay open feature past 90 degrees. Snap-in magnetic door gaskets are durable and easily removed for cleaning. Field reversible door hinging is standard.

Refrigeration System

The high efficiency refrigeration system is self-contained with an E-coated evaporator for extended life. Condensate removal is accomplished with an energy efficient non-electric evaporation system. A capillary tube controls the flow of environmentally friendly R290 refrigerant through the evaporator. Refrigeration system utilizes an "off cycle" defrost to eliminate any ice on the evaporator coil. 115 volt units are equipped with a ten foot cord and plug (20.0 amps or less).