



F-422MAK(-C)

MODULAR ICE MACHINE
SLIM-LINE SERIES



F-422MAK



F-422MAK-C

F-422MAK(-C)
10/01/25
Item # 13743K

W x D x H
22" x 27^{1/2}" x 22"


F-422MAK
Air-Cooled
Shown on optional bin B-300

F-422MAK-C
Air-Cooled



Features

- ▶ Durable stainless steel exterior
- ▶ Factory-installed ultrasonic bin control can be adjusted on site
- ▶ Environmentally friendly R290 hydrocarbon refrigerant

- Stainless steel auger with greaseless bearing
- F-422MAK - Up to 485 lbs. of ice production per 24 hrs.
- F-422MAK-C - Up to 476 lbs. of ice production per 24 hrs.
- Mount two units, side-by-side, in only 44" of floor space for double the amount of ice production
- 2-second flush cycle every hour
- Flush cycle removed sediment for cleaner ice
- Advanced CleanCycle24™ design 
- Durable stainless steel exterior
- Not recommended for dispensing applications

Available on Bins:

B-250SF B-500SF B-700SF B-800SF B-900SF B-1300SS
B-300SF B-700SF B-800SF B-900SF B-1150SS

Top kit may be required; See Bin Spec Sheets.

Warranty:

3 Year Parts & Labor on entire machine. 5 Year Parts on Compressor; air-cooled condenser coil. Valid in United States, Canada, Puerto Rico and U.S. Territories. Contact factory for warranty in other countries.

Shipping: (LxWxH) 25.6" x 33.46" x 27.6" Volume: 13.57ft³



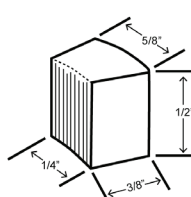
Condenser	Model	ICE PRODUCTION			WATER USAGE			ELECTRICAL					
		Air / Water Temp Lbs. per 24 hours 70°/50°F 90°/70°F	Type of Ice	Type of Ice	Potable Gal. per 100 lbs. 90°/70°F	Condenser Gal. per 100 lbs. 90°/70°F	kWh Used per 100 lbs. 90°/70°F	Min. Circuit/ Max. Fuse Size	Amperage	Voltage	Heat Rejection BTU/hr.	Refrigerant Charge Amount	Net / Ship Weight (lbs.)
Air	F-422MAK	485	380	Flaked	12.0	N/A	4.9	15A	8.8A	115V/60/1	4,700	4.1 oz	150 / 175
Air	F-422MAK-C	476	360	Cubelet	12.0	N/A	5.3	15A	8.8A	115V/60/1	4,800	4.1 oz	150 / 175

Cube Dimensions*

Flaked
F-422MAK



Cubelet
F-422MAK-C



* approximate size in inches, image not to scale

Operating Limits

- Ambient Temp Range 45 - 100°F
- Water Temp Range 45 - 90°F
- Water Pressure 10 - 113 PSIG
- Voltage Range 108-127V
- If GFCI is required, a GFCI breaker MUST be used in lieu of GFCI receptacle

Service

- Panels easily removed and all components accessible for service.
- Removable/cleanable air filter (Air-cooled model only)
- Allow 24" (61 cm) clearance at top for removal of auger.
- Appliance should not be located next to high heat producing equipment.

Plumbing

- Icemaker Water Supply Line: Minimum 1/4" Nominal ID Copper Water Tubing or Equivalent
- Icemaker Drain Line: Minimum 3/4" Nominal ID Hard Pipe or Equivalent

Hoshizaki reserves the right to change specifications without notice.

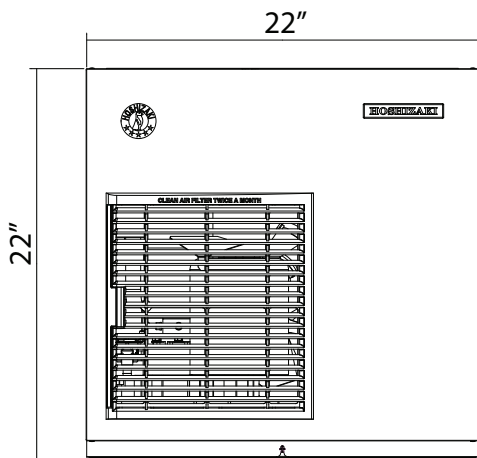


F-422MAK(-C)

MODULAR ICE MACHINE
SLIM-LINE SERIES

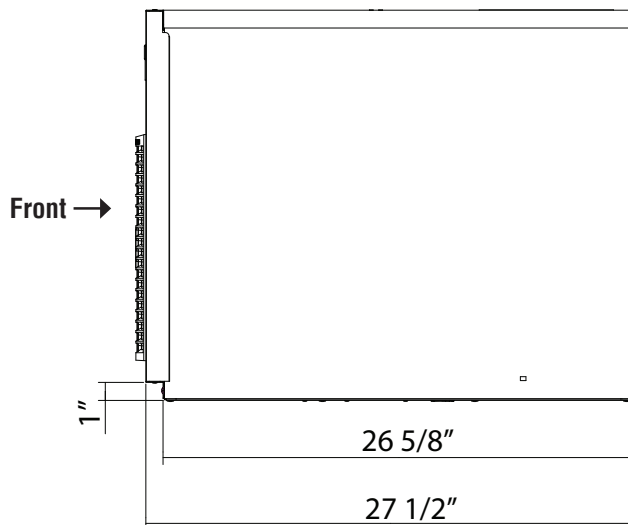
F-422MAK(-C)
10/01/25
Item # 13743K

FRONT VIEW

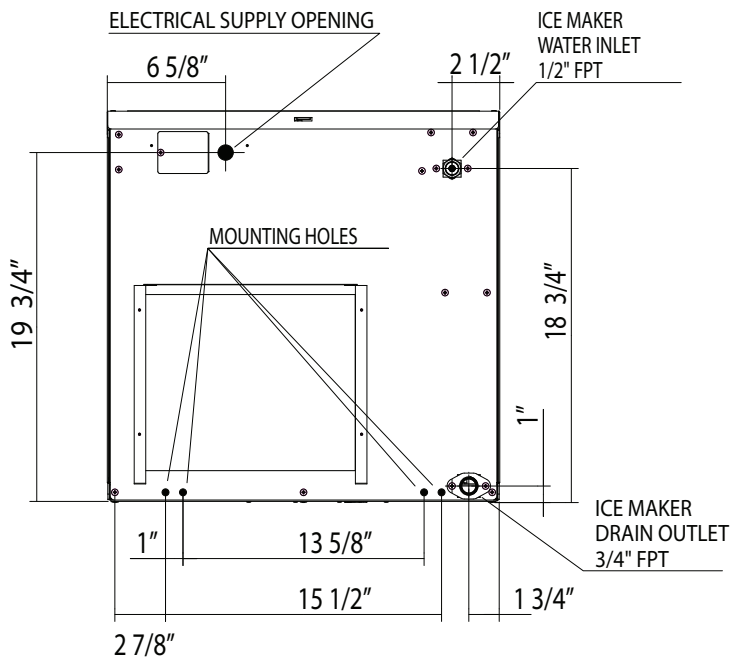


SIDE VIEW

mm
[inch]



REAR VIEW



BOTTOM VIEW

