

SlidingLid™ Ice Caddies

Standard

125 lb. (57 Kg.) Capacity

Models ICS125L, ICS125L4S, ICS125LB

Features & Benefits



- Indoors or outdoors, in heat or humidity, these sleek models keep their cool and can hold ice cold for days. They provide reliability, value and safer holding for up to 125 lbs. (57 kg.) of ice.
- Unique sliding lid has no latches. Slides back and under the secured base lid for quick access and it slides shut for safe and sanitary storage. Helps reduce the risk of cross contamination.
- Four sturdy thumbscrews secure base lid tightly during transport and when sliding top back and under.
- Service opening is 11 1/2" (29,2 cm) x 17" (43,2 cm) for quick and easy loading and unloading of ice.
- Double-wall, high density, polyethylene construction is impact resistant and will not dent, crack, bubble, chip or break. Easy to clean.
- Thick polyurethane foam insulation keeps ice frozen. Reduces frequency of restocking, ensuring quick and convenient service.
- Recessed, leak proof, quarter-turn faucet is located on the front of every unit for easy access and quick draining.
- Recessed interior well with Camwear® polycarbonate drain shelf keeps ice out of any melted water, ensuring long lasting quality and storage.
- Molded-in handle is sturdy and will not break off. Provides controlled handling and maneuvering.
- Recessed lift grip on the front for safe, balanced lifting on or off delivery trucks.
- Three choices of wheel configurations meet a variety of transport needs. And 8" (20,3 cm) Easy Wheels make transporting even smoother and virtually effortless.
 - Model ICS125L - Four each 5" (12,7 cm) casters, 2 fixed, 2 swivel, 1 w/ brake
 - Model ICS125L4S - Four each 5" (12,7 cm) casters, 4 swivel, 1 w/ brake
 - Model ICS125LB - Two each 5" (12,7 cm) front casters, 2 swivel, 1 w/ brake and 2 each 8" (20,3 cm) Easy Wheels
- No assembly required.
- Available in 13 colors.

Item No. _____

Specifier Identification No. _____

Model No. _____

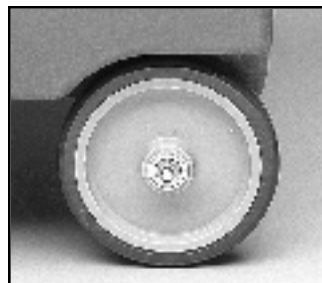
Quantity _____



ICS125L



ICS125LB



8" (20,3 cm) Easy Wheels on ICS125LB Models.

Approvals



Patent Pending

SlidingLid™ Ice Caddies

Standard

125 lb. (57 Kg.) Capacity

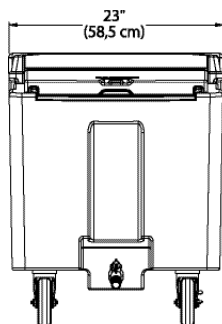
Models ICS125L, ICS125L4S, ICS125LB

Item No. _____

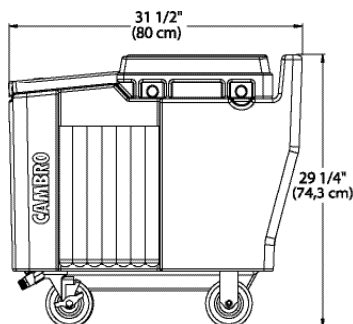
Specifier Identification No. _____

Model No. _____

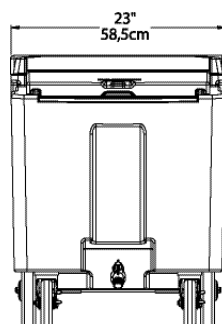
Quantity _____



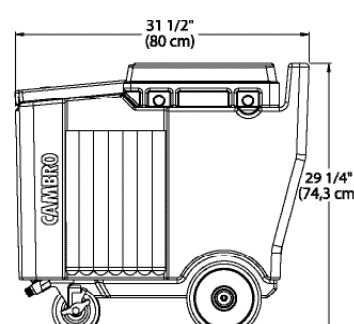
ICS125L



ICS125L4S



ICS125LB (With Easy Wheels)



Front/Width

Specifications

Dimension Tolerance: +/- 1/4" (0,64 cm)

Code	Description	Interior Dimensions W x D x H	Exterior Dimensions W x D x H	Case lbs./cube Kg/m ³
ICS125L	SlidingLid Ice Caddy	17" x 24" x 18" (43,2 x 61 x 45,7 cm)	23" x 31 1/2" x 29 1/4" (58,5 x 80 x 74,3 cm)	69 (13.16) 31,3 (0,373)
ICS125L4S	SlidingLid Ice Caddy	17" x 24" x 18" (43,2 x 61 x 45,7 cm)	23" x 31 1/2" x 29 1/4" (58,5 x 80 x 74,3 cm)	69 (13.16) 31,3 (0,373)
ICS125LB	SlidingLid Ice Caddy	17" x 24" x 18" (43,2 x 61 x 45,7 cm)	23" x 31 1/2" x 29 1/4" (58,5 x 80 x 74,3 cm)	71 (13.16) 32,2 (0,373)

Architect Specs

The standard 125 lb. (57 Kg.) capacity SlidingLid Ice Caddy shall be Cambro Model..., manufactured by Cambro Mfg. Co., Huntington Beach, CA 92648 U.S.A. It shall be constructed of single-molded, double-wall, high density polyethylene and thick foam injected polyurethane. It shall have a sliding lid without latches. It shall slide back and under a secured base lid. It shall have rounded corners and a molded-in handle. It shall have an 11 1/2" x 17" (29,2 x 43,2 cm) service opening. It shall have a recessed, leakproof, quarter turn faucet on the front. It shall have a recessed interior well with one unbreakable polycarbonate shelf. It shall be available with 3 different wheel configurations, including Model ICS125LB with 2 each 8" (20,3 cm) Easy Wheels. It shall not require any assembly and shall be available in 13 colors.

Standard Colors

- Black (110)
- Cold Blue (159)
- Gray (180)
- Granite Gray (191)
- Granite Red (193)
- Dusty Rose (400)
- Dark Brown (131)
- Brick Red (402)
- Granite Green (192)
- Granite Sand (194)
- Slate Blue (401)
- Coffee Beige (157)
- Navy (186)

Approvals



Patent Pending



© 2002 Cambro Manufacturing Company 5801 Skylab Road, Huntington Beach, California 92647-2056-U.S.A.
Telephone (1)714 848 1555 Toll Free 800 854 7631 Customer Service Hot Line 800 833 3003

Printed in USA

A City Discount